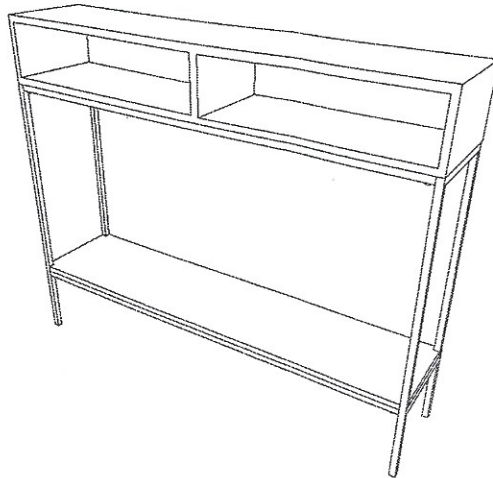


# CAROLINA FORGE

Assembly Instructions  
 Item # CF4234  
 CONSOLE WITH TWO CUBBY TOP AND SHELF

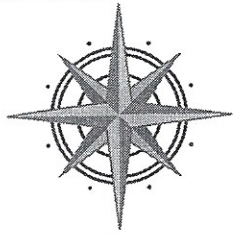


Thank you for purchasing a Carolina Forge Company product. This product has been designed for easy assembly and is constructed for durability. Please take the time to read and follow the assembly instructions carefully. If a part or hardware is missing or you have any difficulties in assembling this product, please contact us Toll Free 1-800-228-3876.

NO.	PARTS	DESCRIPTION	Q'TY	NO.	PARTS	DESCRIPTION	Q'TY
A		Console Top	1 PC	B		R & L Leg Assembly	2 PC
C		Bottom Shelf	1 PC	D		Allen Head Wrench 4MM	1 PC each
E		Flat Washer	8 PCS	F		Wood Screw 16 MM	2 Pcs
G		Allen Head Bolt M6 X 10	8 PCS				
H				(NOT SUPPLIED)		Crosshead Screwdriver	1PC

### Tip Resistance Kit

H		Allen Screw 30mm	2 PCS	I		Expansion Tube	2 PCS
J		Plastic Fastener 5MM	2 PCS	K		L Bracket	2 PCS



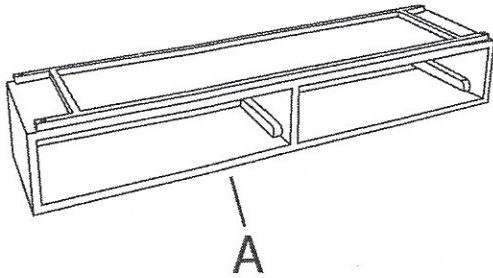
# CAROLINA FORGE

Assembly Instructions

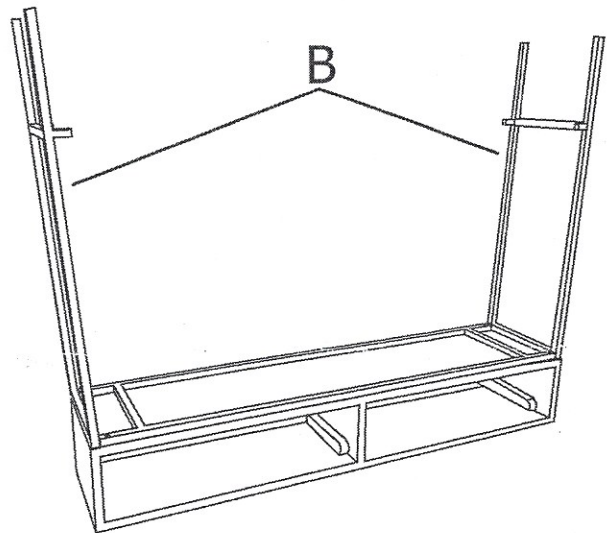
Item # CF4234

CONSOLE WITH TWO CUBBY TOP AND SHELF

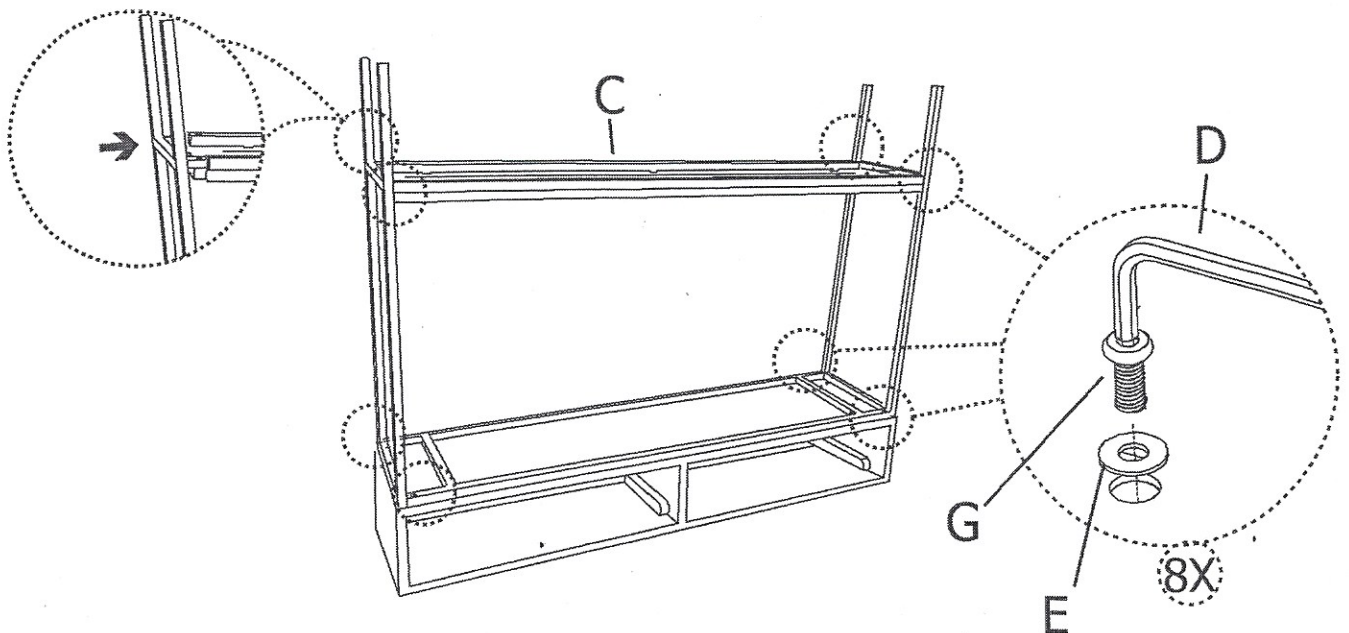
## STEP 1

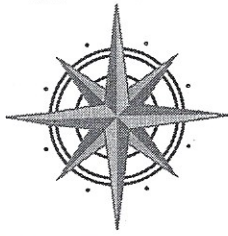


## STEP 2



## STEP 3





# CAROLINA FORGE

Assembly Instructions  
Item # CF4234  
CONSOLE WITH TWO CUBBY TOP AND SHELF

## STEP 4

