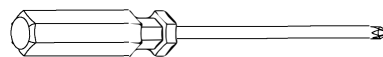


Assembly Instruction

Tools Required

Hardware Provided



Phillips screwdriver

(Provided)



Allen key



B1 8PCS



B2 8SETS



B3 8SETS



B4 2PCS



B5 1SET



B6 2PCS

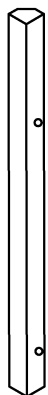


B7 2PCS

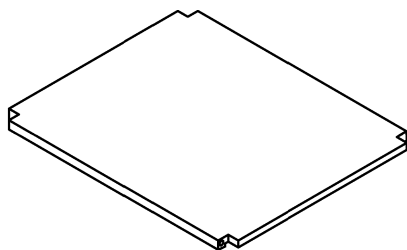
Furniture Parts



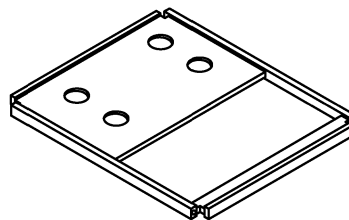
A1 2pcs



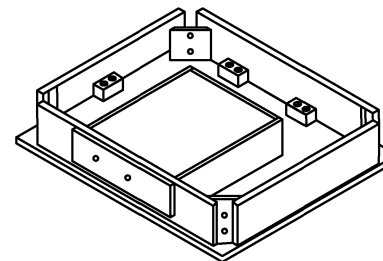
A2 2pcs



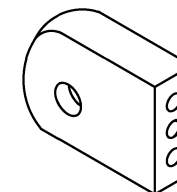
A3 2pcs



A4 1pcs



A5 1pcs

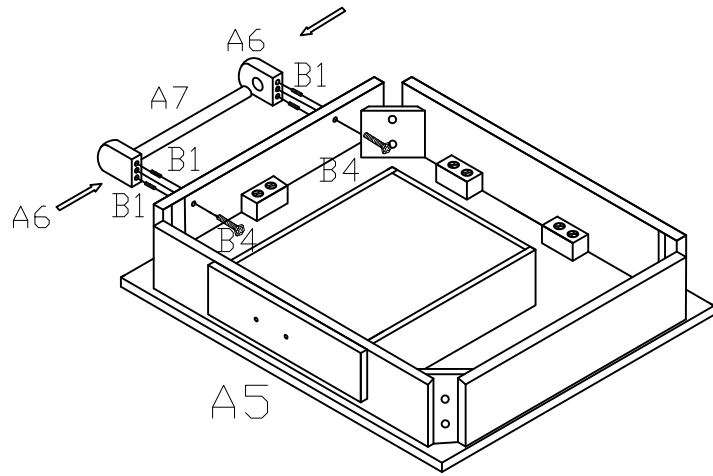


A6 2pcs

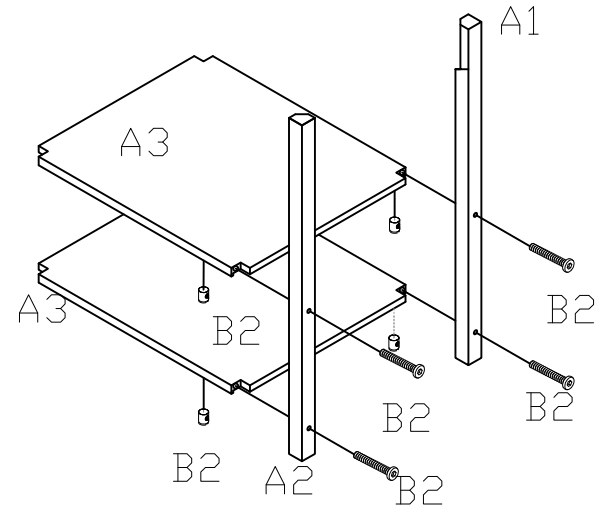


A7 1pcs

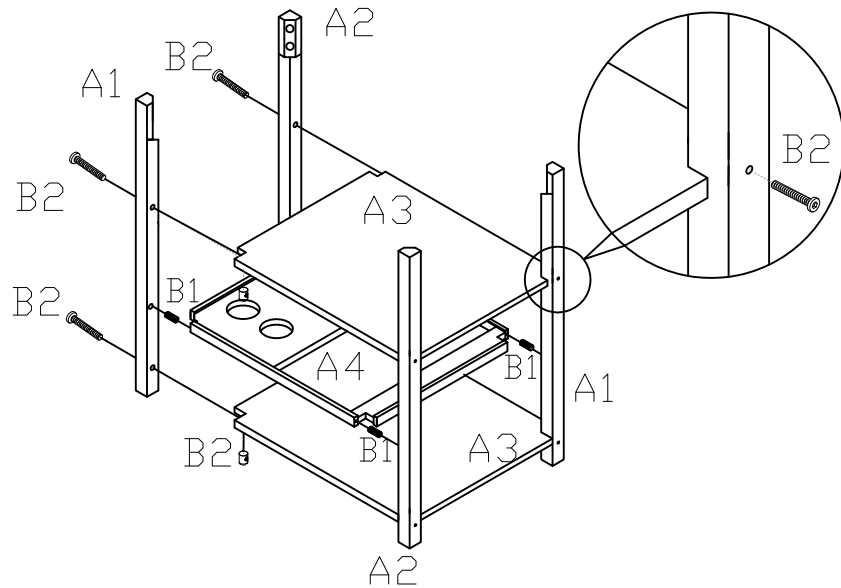
Step 1



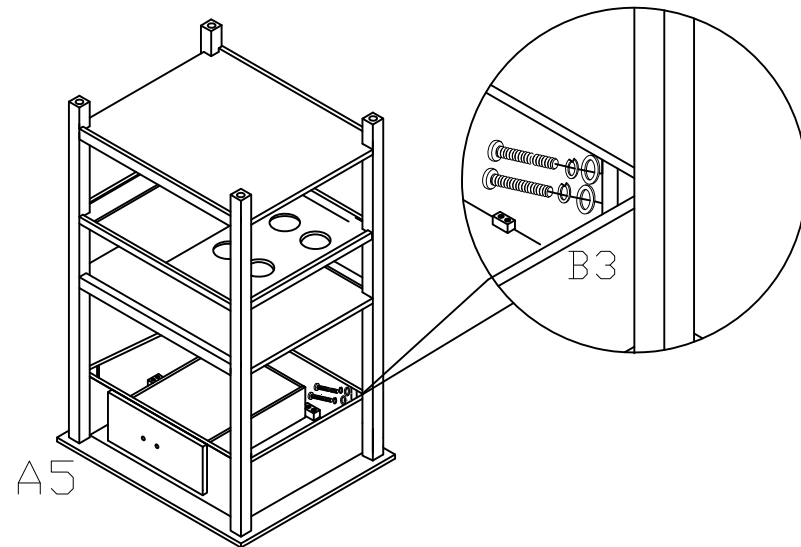
Step 2



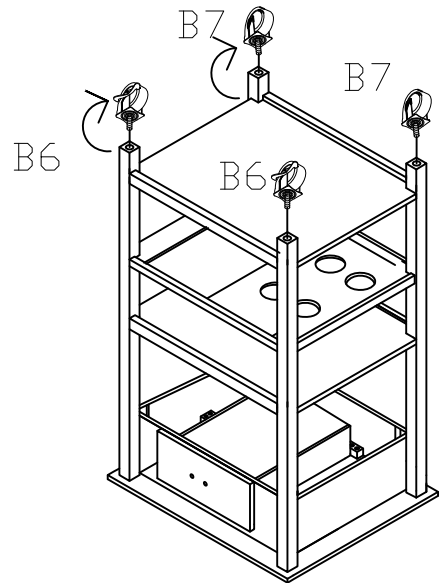
Step 3



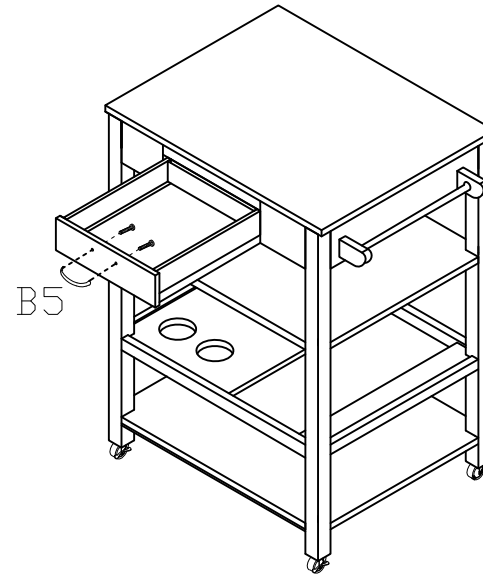
Step 4



Step 5



Step 6



Step 7

