



ASSEMBLY INSTRUCTION

Item: 5900-90167-WH 6/0 & 6/6 WOOD PANEL HEADBOARD
 5900-90168-WH 6/0 & 6/6 WOOD PANEL FOOTBOARD
 5900-90153-WH 5/0 & 6/6 RAILS

Thank you for purchasing this quality product. Be sure to unpack carefully looking for small parts which may have come loose during shipment.

Read all instruction and study the drawing carefully before starting the assembly process.

HARDWARE LIST OF HEADBOARD - 90167

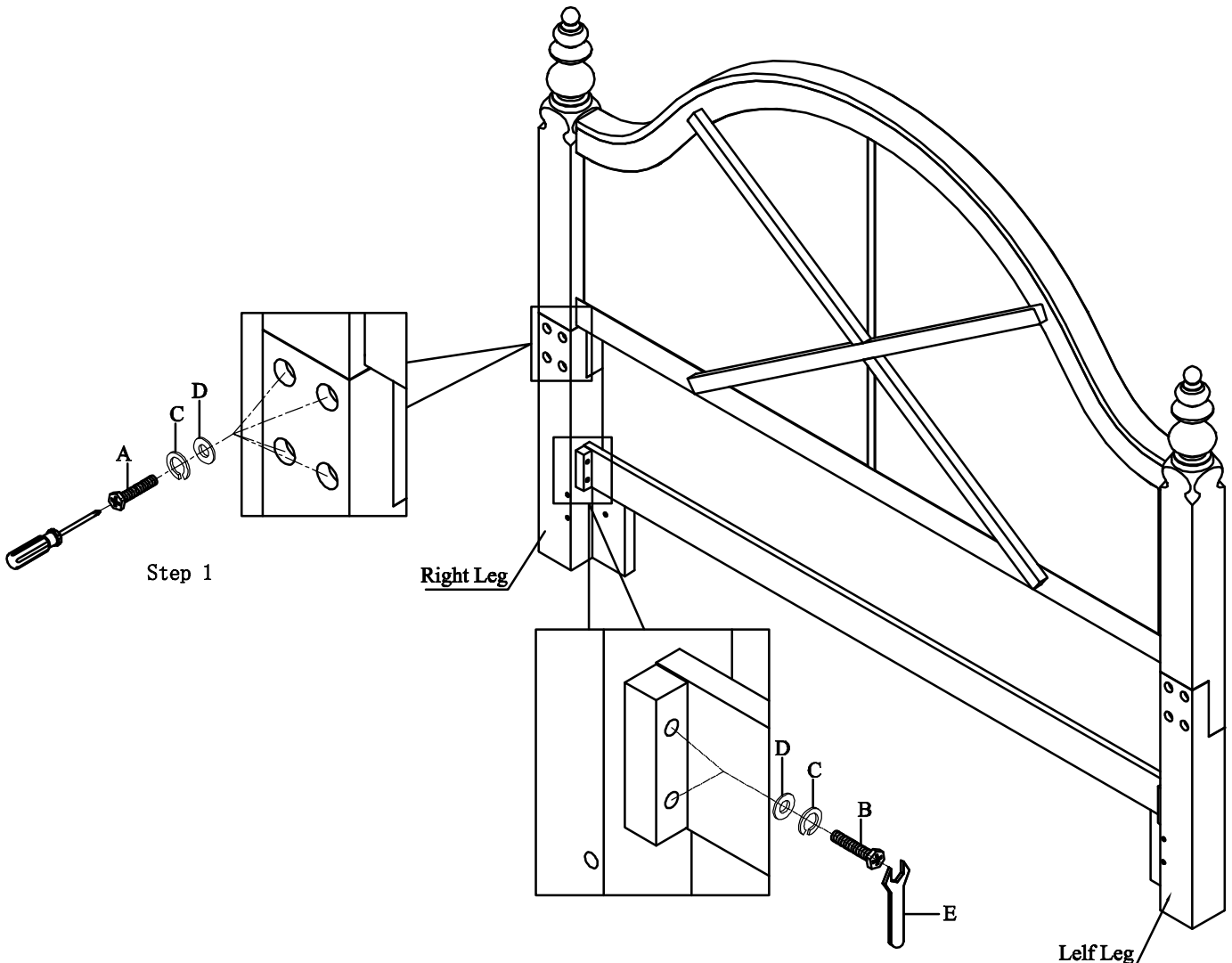
NO	DRAWING	DESCRIPTION	SIZE	Q' ty
A		Bolt	ϕ5/16"*1-3/4"	4pcs
B		Bolt	ϕ5/16"*2-1/2"	8pcs
C		Lock Washer	ϕ5/16"	12pcs
D		Flat Washer	ϕ5/16"*19D	12pcs
E		Open Wrench	13mm	1pc

HARDWARE LIST OF BED RAIL - 90153

NO	DRAWING	DESCRIPTION	SIZE	Q' ty
F		Threaded Bolt	ϕ5/16"*4"	8pcs
G		Curved Washer	ϕ9*30*15*8	8pcs
H		Nut	ϕ5/16"*17	8pcs
I		Open Wrench	13mm	1pc

HARDWARE LIST OF FOOTBOARD - 90168

NO	DRAWING	DESCRIPTION	SIZE	Q' ty
J		Screw	ϕ9*1"	10pcs





ASSEMBLY INSTRUCTION

Item: 5900-90167-WH 6/0 & 6/6 WOOD PANEL HEADBOARD
5900-90168-WH 6/0 & 6/6 WOOD PANEL FOOTBOARD
5900-90153-WH 5/0 & 6/6 RAILS

Thank you for purchasing this quality product. Be sure to unpack carefully looking for small parts which may have come loose during shipment.

Read all instruction and study the drawing carefully before starting the assembly process.

