



ITEM # :BTSQTOL
Assembly Instructions
(Assembly Requires Two People)



Please visit our website for the most current instructions, assembly tips, report damage, or request parts. www.walkeredison.com

Revised 03/2017

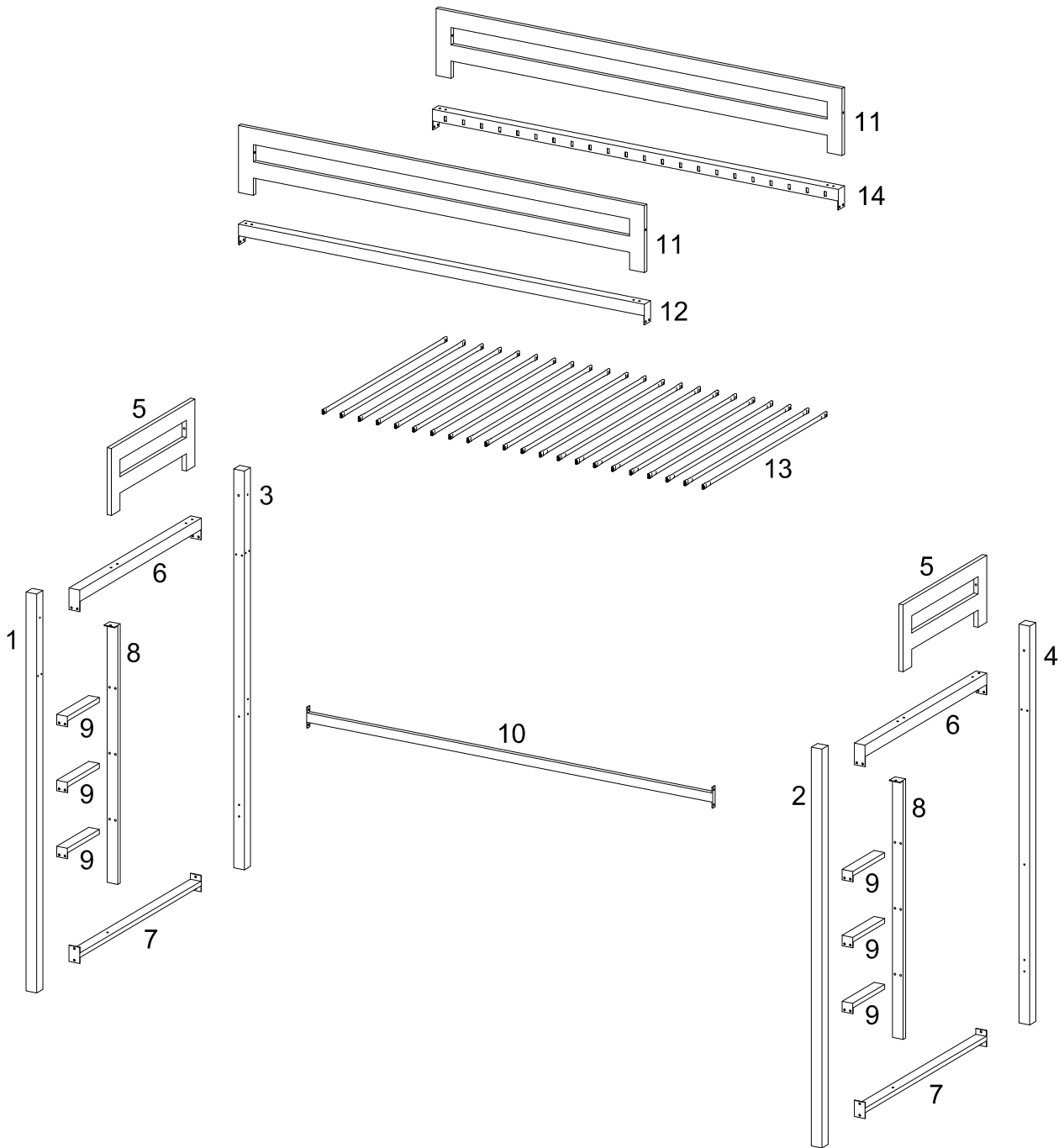


Instruction Manual

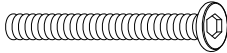
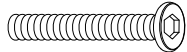



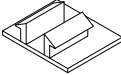
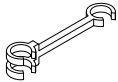
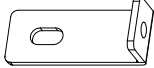

IMPORTANT INFORMATION MUST READ BEFORE ASSEMBLING PRODUCT

- Follow the information on the warnings appearing on the upper bunk end structure and on the carton. Do not remove warning label from bed.
- Use only a mattress which is 74-75" L x 37.5-38.5"W x 7"H on the upper bunk.
- Replacement Parts—Replacement parts, including additional guardrails, may be obtained from any of Walker Edison Furniture's dealers or by contacting Walker Edison Furniture online at www.walkeredison.com.
- Follow the information on the warnings appearing on the upper bunk end structure and on the carton. DO NOT remove warning label from bed.
- Always use the recommended size mattress or mattress support, or both, to help prevent the likelihood of entrapment or falls.
- Surface of mattress must be at least 5 in. (127mm) below the upper edge of guardrails. Mattress must not exceed a maximum thickness of 7 inches.
- DO NOT allow children under 6 years of age to use the upper bunk.
- Periodically check and ensure that the guardrail, ladder, and other components are in their proper position, free from damage, and that all connectors are tight.
- DO NOT allow horseplay on or under the bed and prohibit jumping on the bed.
- Always use the ladder for entering and leaving the upper bunk.
- DO NOT use substitute parts. Contact the manufacturer or dealer for replacement parts.
- Use of a night light may provide added safety precaution for a child using the upper bunk.
- Always use guardrails on both long sides of the upper bunk. If the bunk bed will be placed next to the wall, the guardrail that runs the full length of the bed should be placed against the wall to prevent entrapment between the bed and wall.
- The use of water or sleep flotation mattresses is prohibited.
- STRANGULATION HAZARD—Never attach or hang items to any part of the bunk bed that are not designed for use with the bed; for example, but not limited to, hooks, belts and jump ropes.
- Prohibit more than one person on upper bunk.
- Keep these instructions for future reference.

Parts List

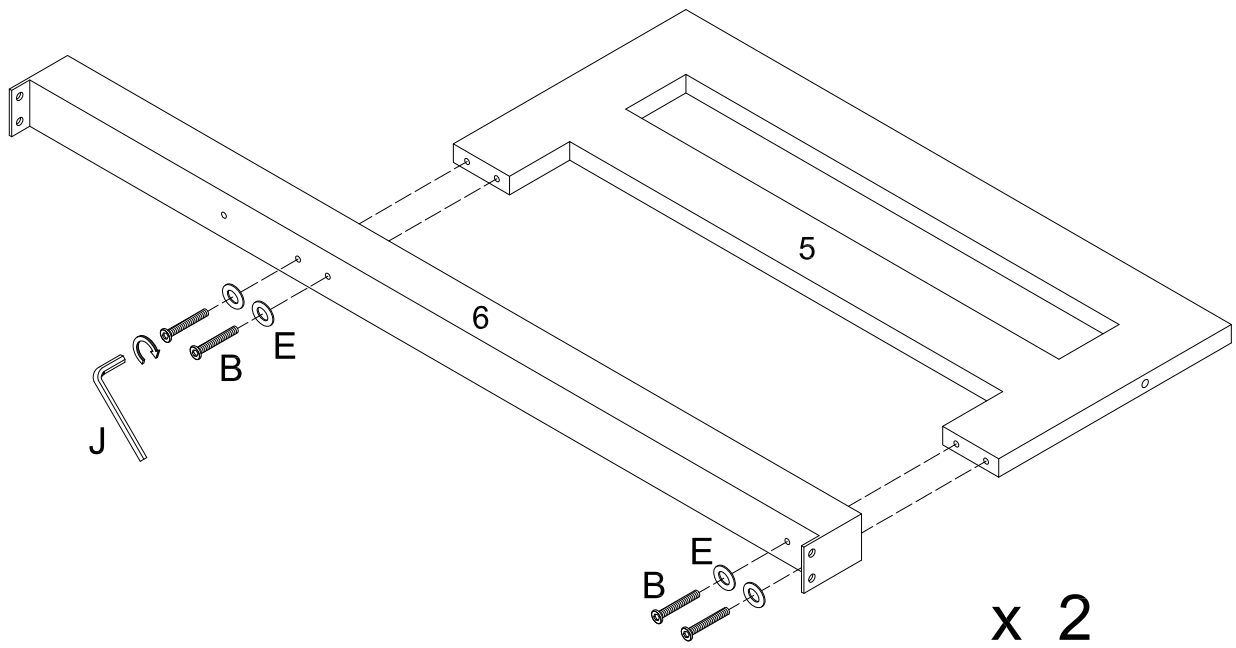


Hardware List

A		Ø1/4"*85mm	Bolt	6 pcs
B		Ø1/4"*70mm	Bolt	16 pcs
C		Ø1/4"*15mm	Bolt	50 pcs
D		Ø1/4"*38mm	Bolt	14 pcs
E		Ø16mm	Washer	86 pcs
F			Plastic tab lock	44 pcs
G			Plastic link	21 pcs
H			Angle bracket	2 pcs
J		M4mm	Wrench	1 pc

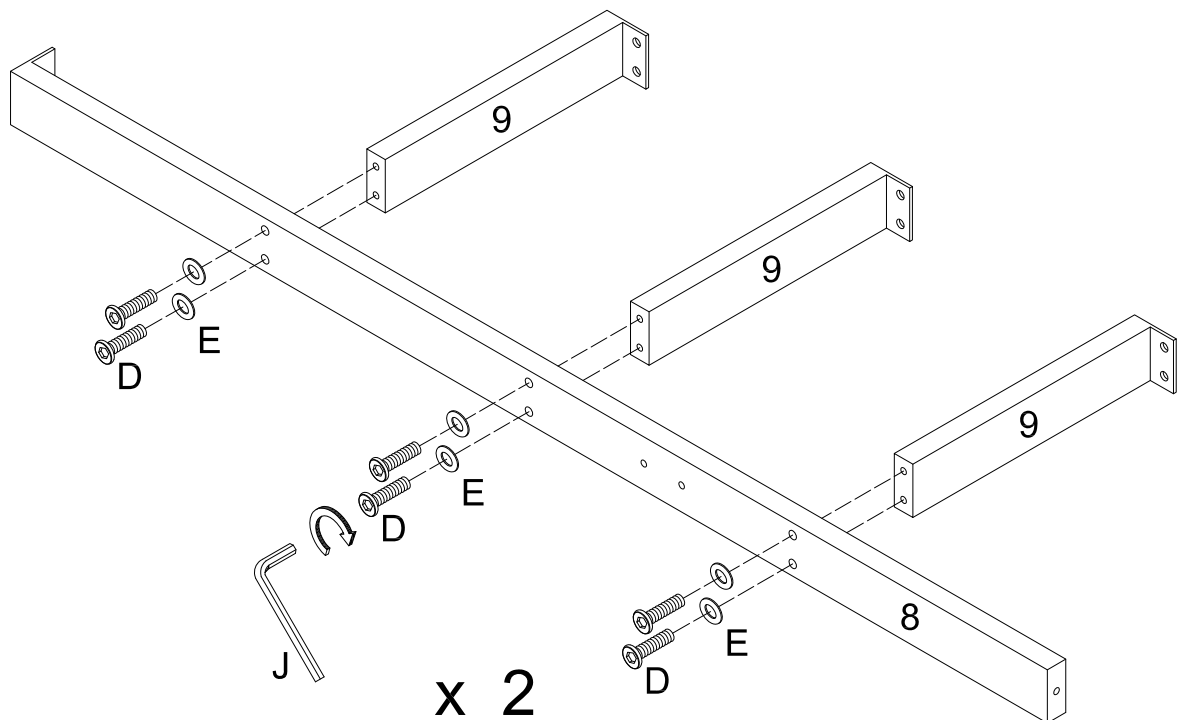
*The hardware quantities listed above are required for proper assembly.
Some extra hardware may also have been included.*

Step 1



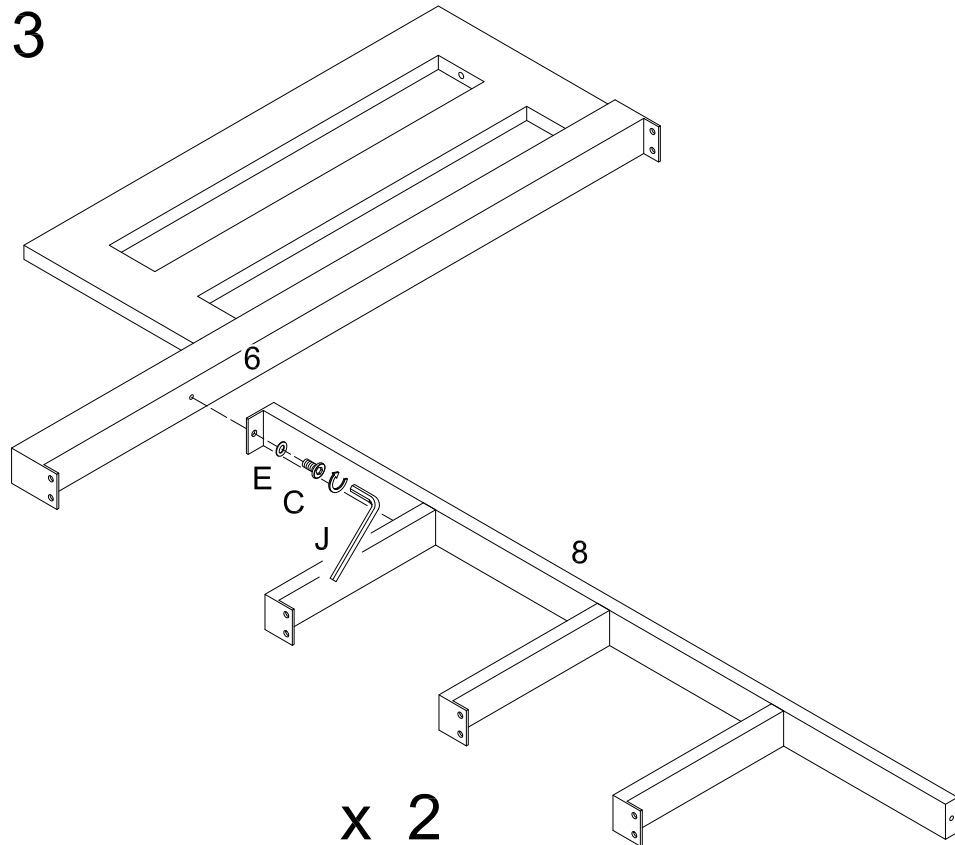
Attach upper cross bar (6) to guardrail (5) using bolts(B) and washers (E).Tighten bolts (B) with wrench (J).

Step 2



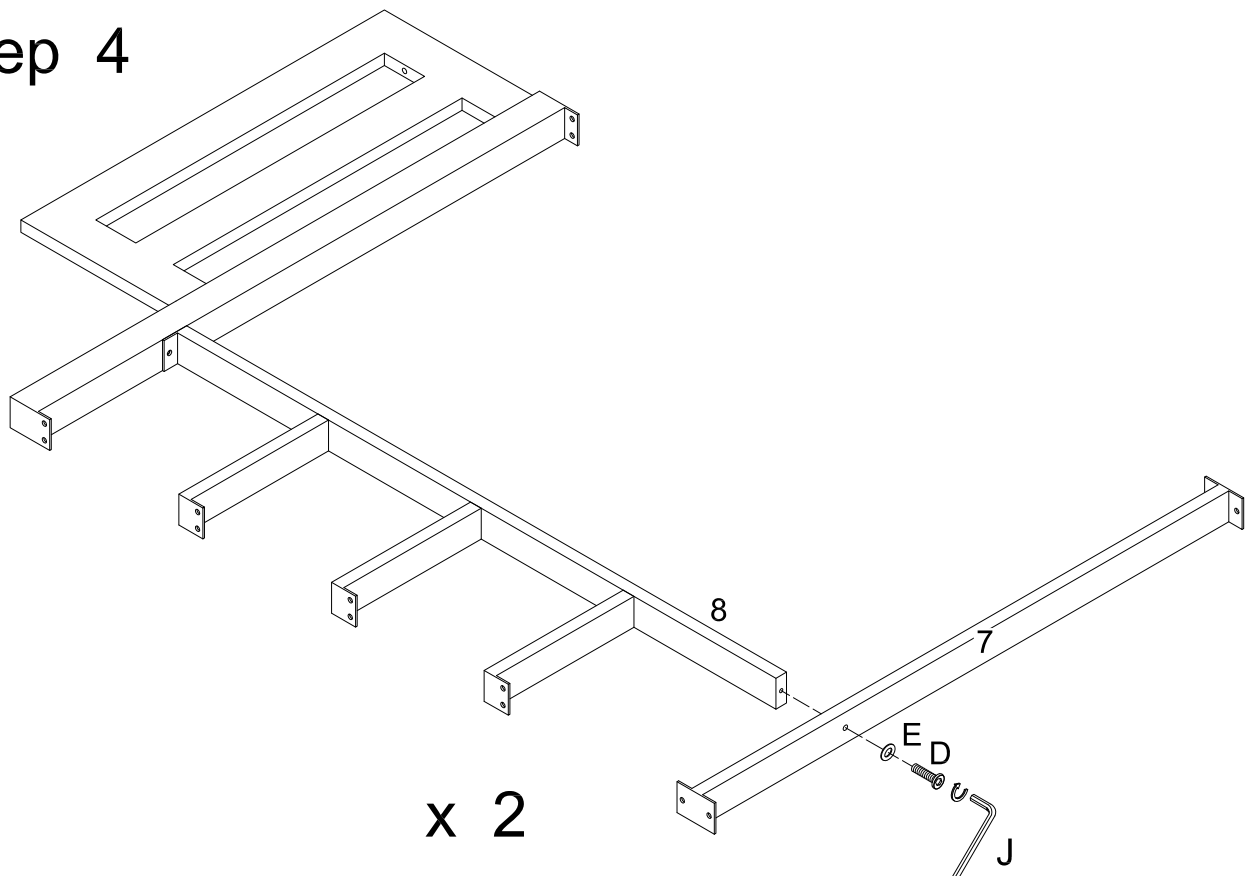
Attach ladder rail (8) to ladder rungs (9) using bolts (D) and washers (E).Tighten bolts (D) with wrench (J).

Step 3



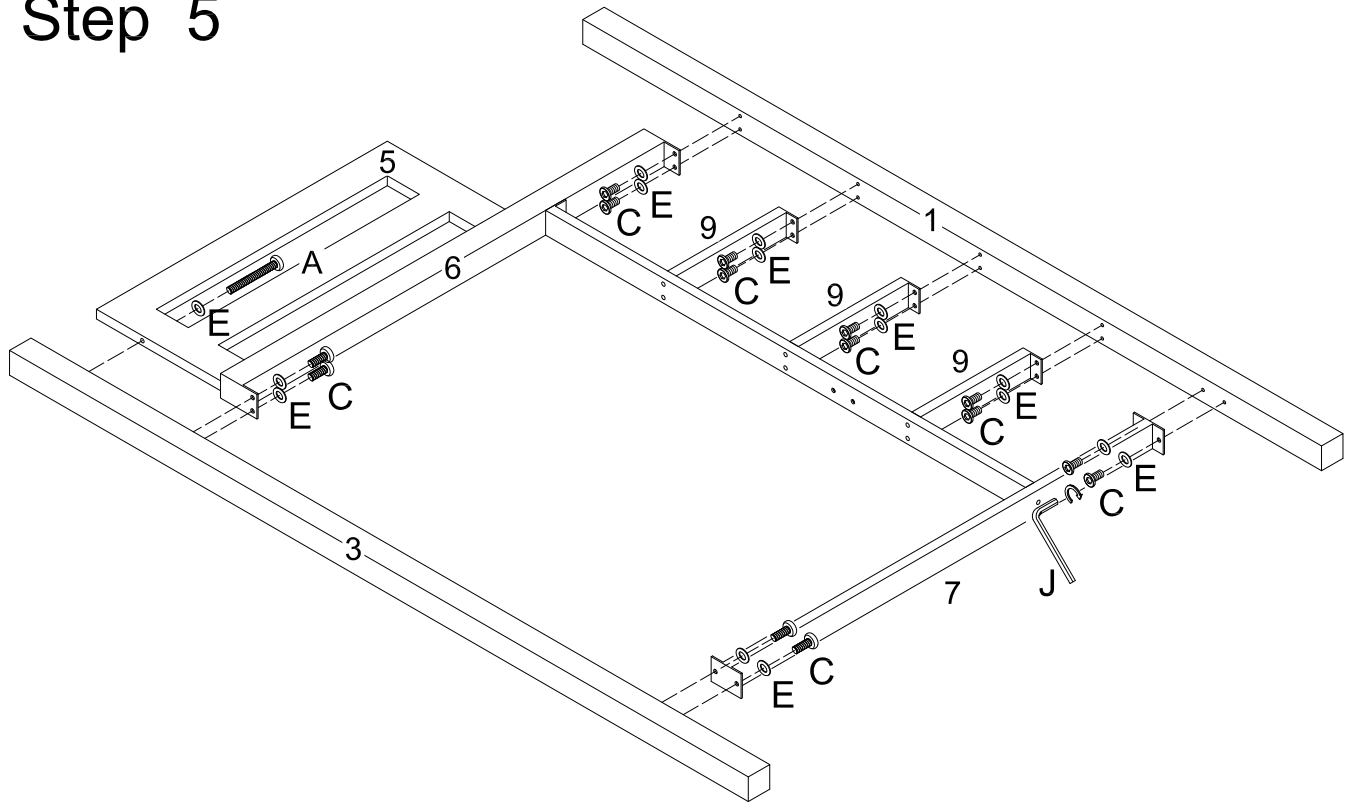
Attach ladder rail (8) to upper cross bars (6) using bolt (C) and washer (E). Tighten bolt (C) with wrench (J).

Step 4



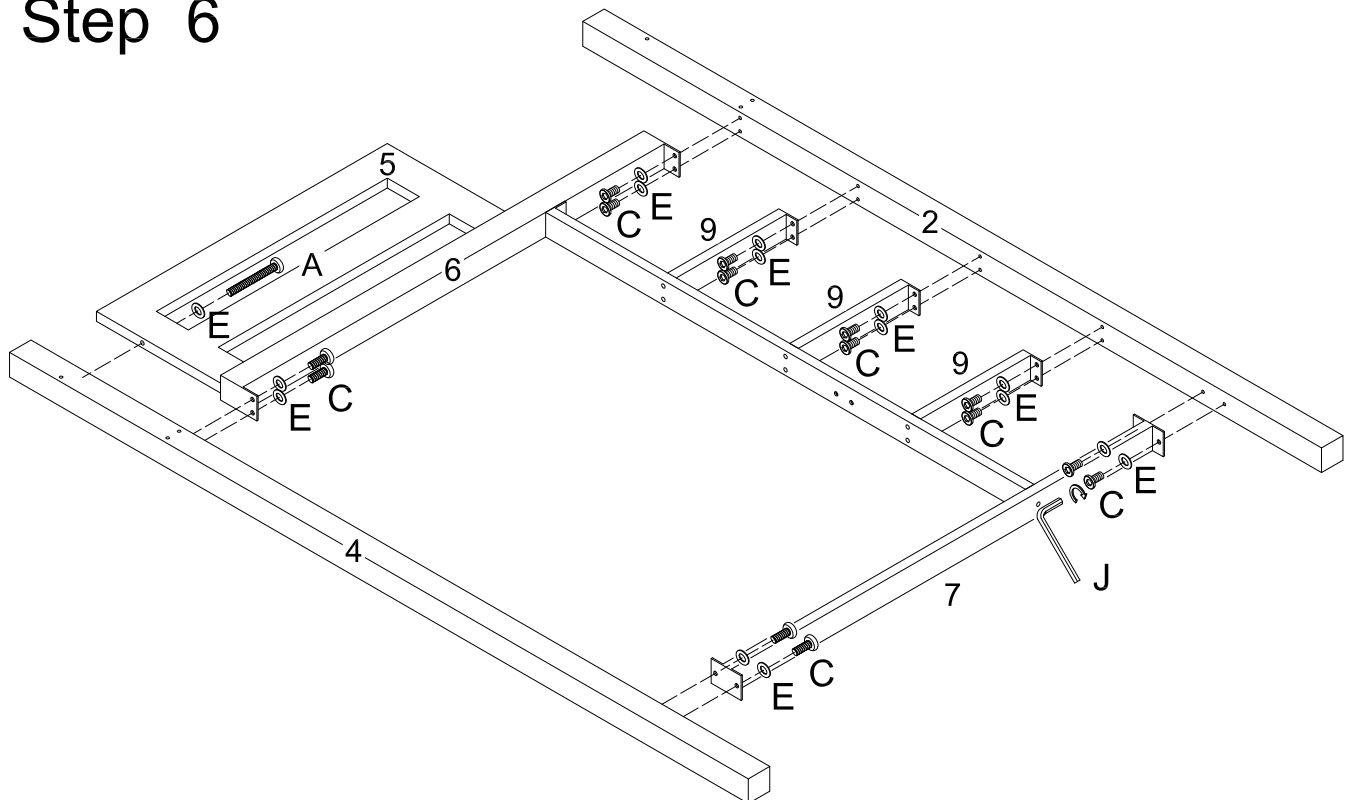
Attach ladder rail (8) to lower cross bar (7) using bolt (D) and washer (E). Tighten bolt (D) with wrench (J).

Step 5



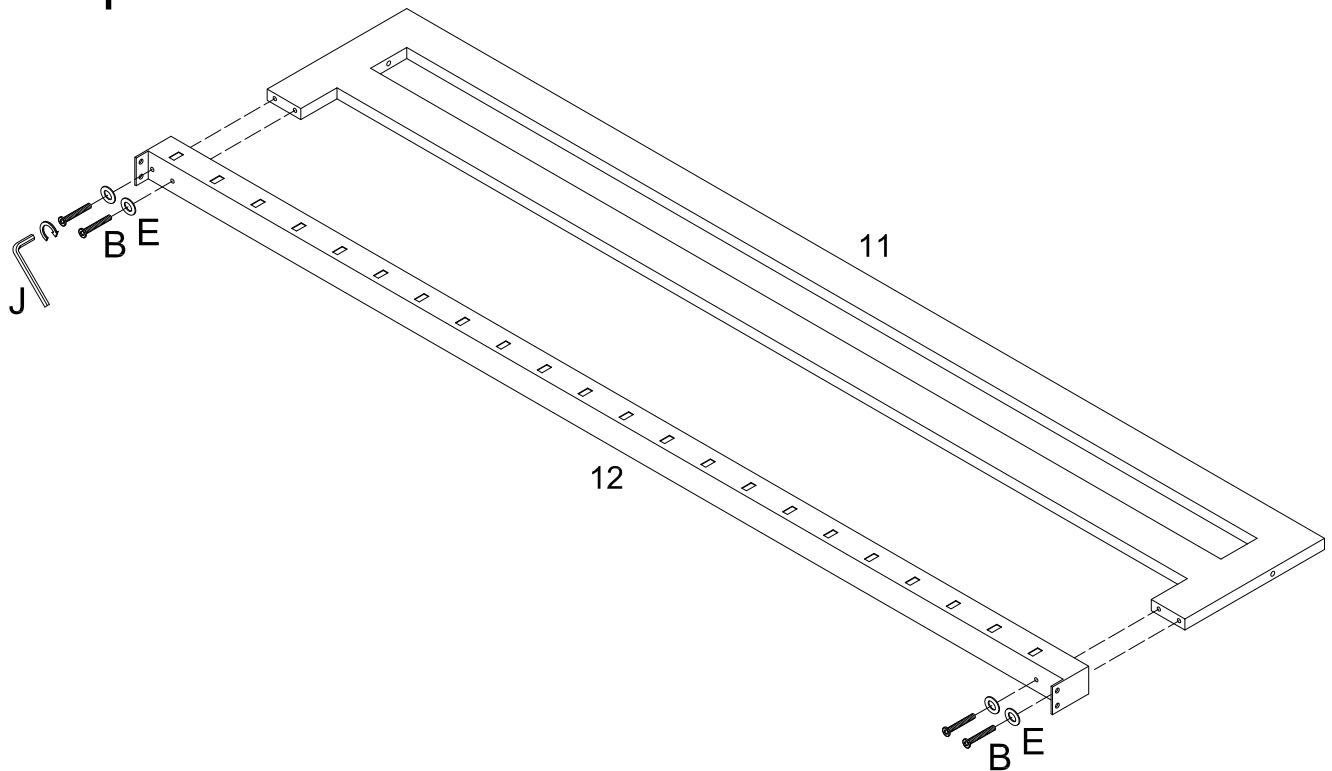
Attach guardrail (5) to post (3) using bolts (A) and washers (E). Attach crossbars (6,7) to post (3) using bolts (C) and washers (E). Attach ladder rungs (9) and crossbars (6,7) to post (1) using bolts (C) and washers (E). Tighten all bolts with wrench (J).

Step 6



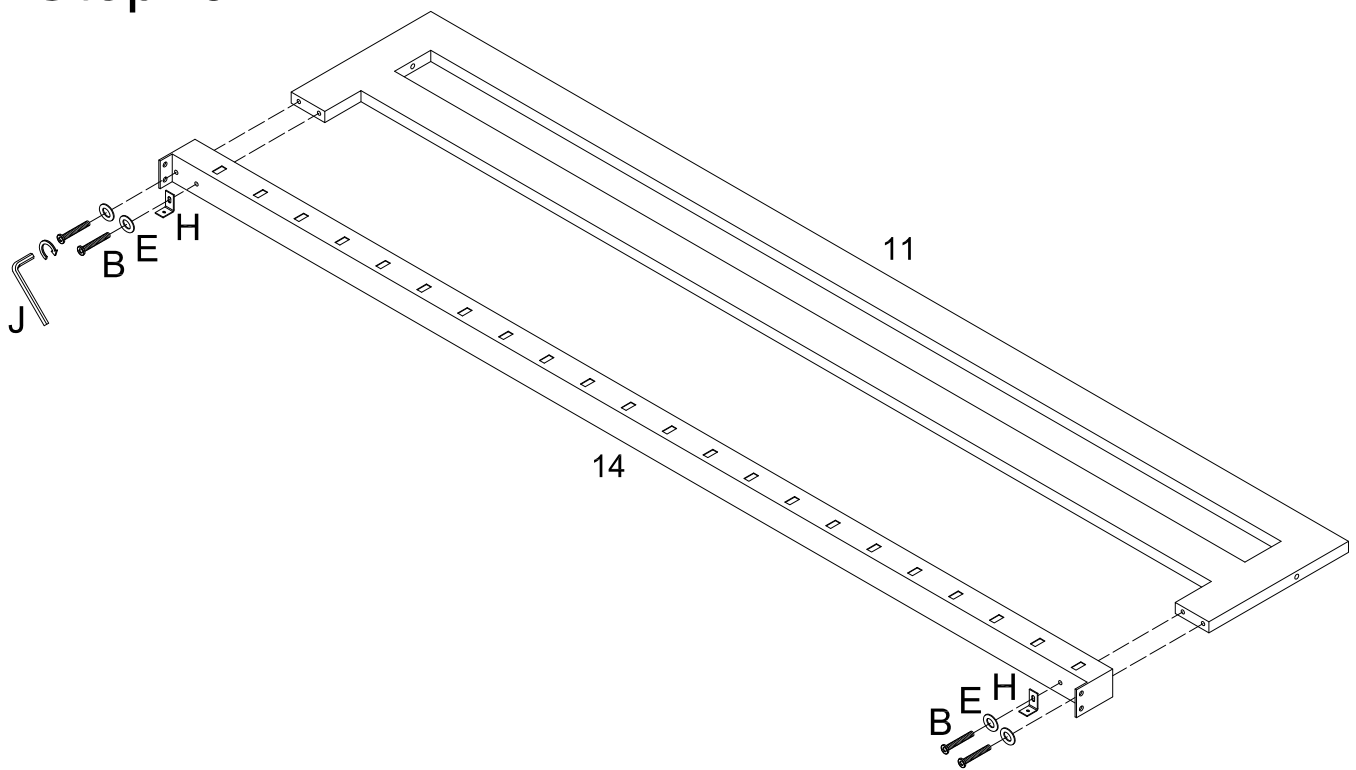
Attach guardrail (5) to post (4) using bolts (A) and washers (E). Attach crossbars (6,7) to post (4) using bolts (C) and washers (E). Attach ladder rungs (9) and crossbars (6,7) to post (2) using bolts (C) and washers (E). Tighten all bolts with wrench (J).

Step 7



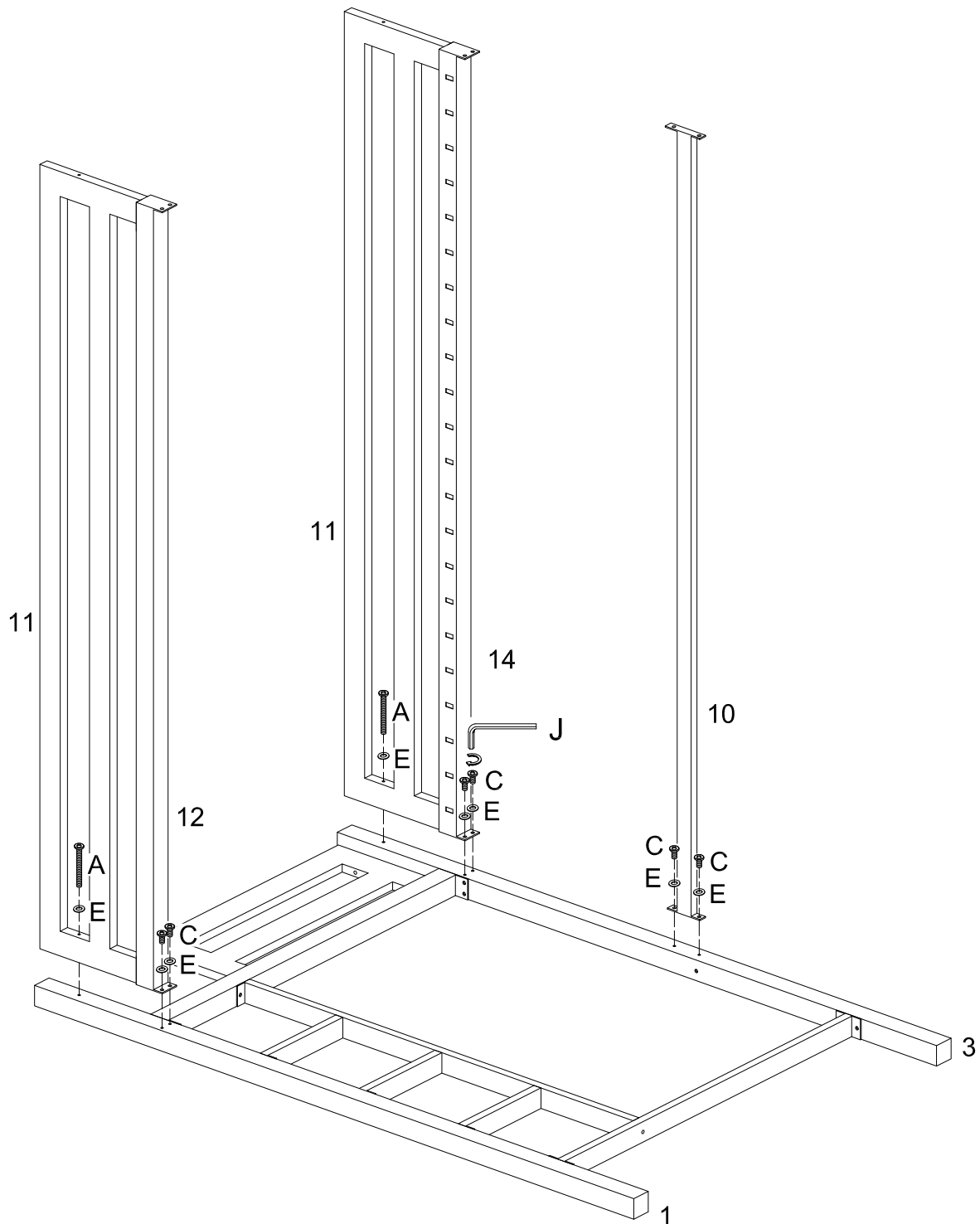
Attach front upper guardrail (11) to the upper cross bar (12) using bolts (B) and washer (E) as shown in the illustration. Be sure to tighten firmly using wrench (J).

Step 8



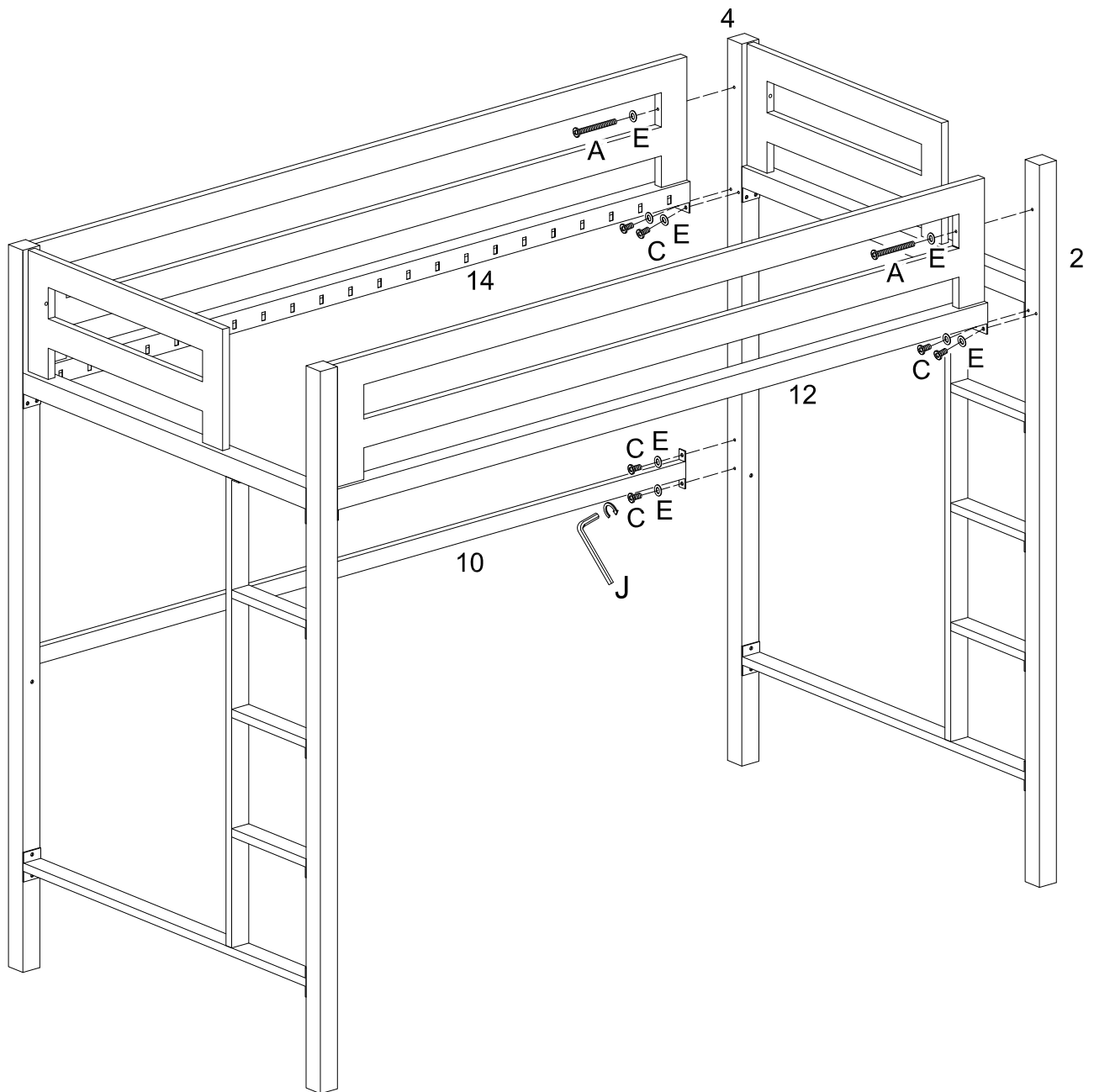
Attach back upper guardrail (11) to the upper cross bar (14) using bolts (B) and washer (E) and, where applicable, angle brackets (H). * Tighten bolts (B) with wrench (J).

Step 9



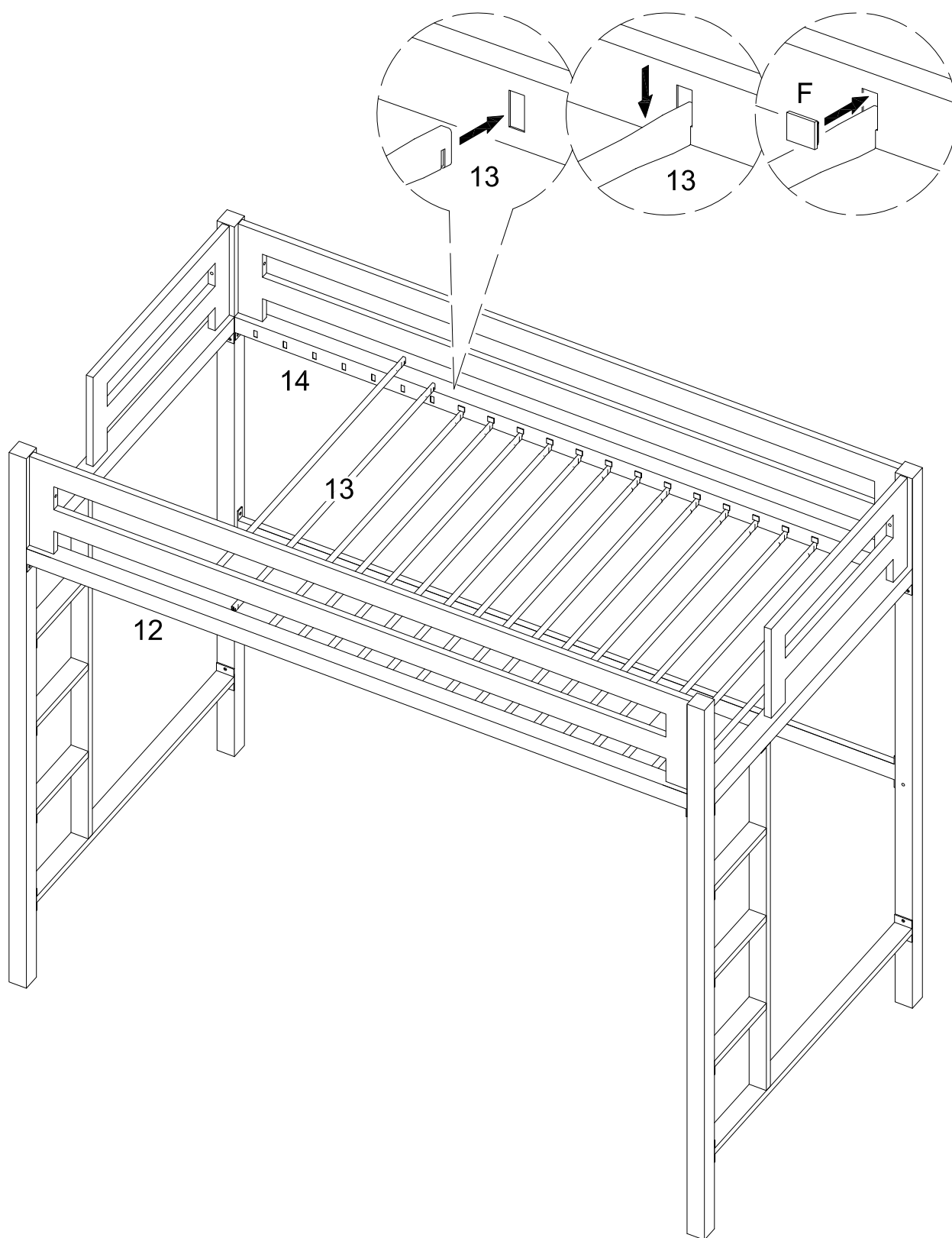
Attach lower cross bars (10) and upper cross bars (12,14) to the end supports in Step 5 using washers (E) and bolts (C) as shown in the illustration. Attach upper guardrail (11) to the supports posts (1,3) using bolts (A) and washers (E) as shown in the illustration. Ensure the slots on the cross bars are facing inward as shown in the illustration. Secure bolts (A)(C) but not tighten completely until step #13.

Step 10



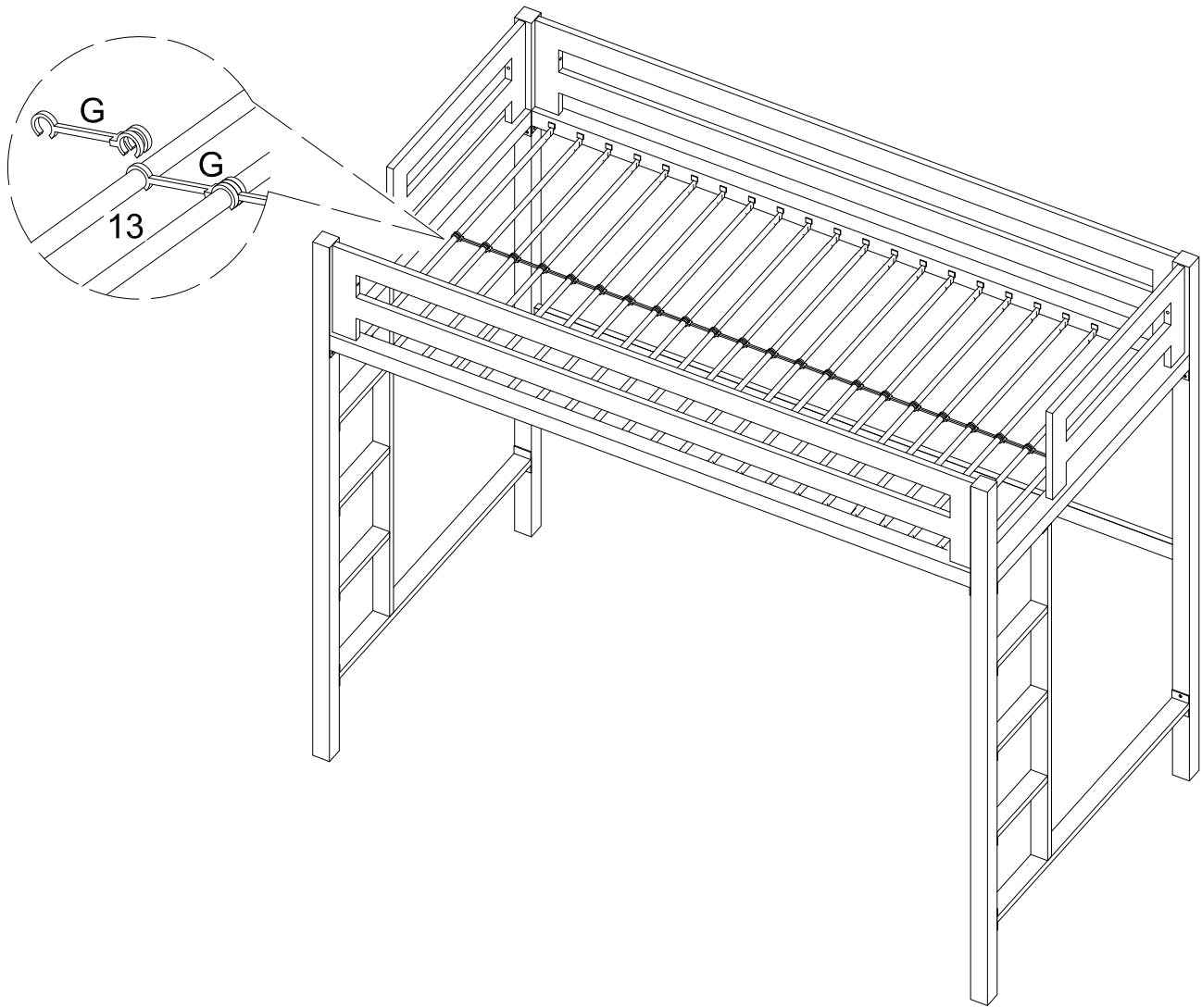
Attach another end supports assembled in Step 6 using washers (E) and bolts (C) as shown in the illustration. Ensure the slots on the cross bats are facing inward as step 9. Secure bolts (A)(C) but not tighten completely until step #13.

Step 11



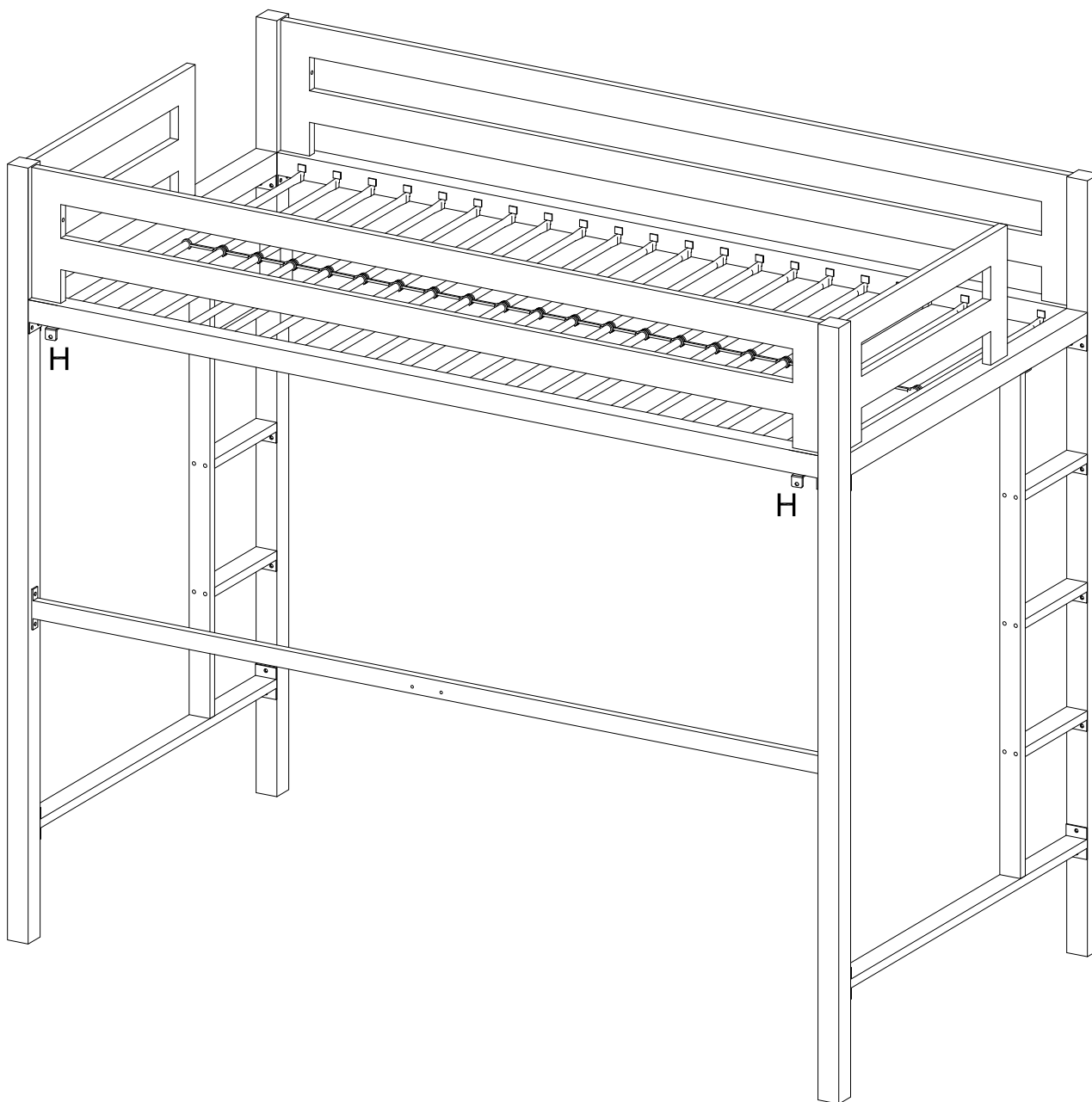
Insert mattress support bars (13) into the provided slots of crossbars (12,14). Secure mattress support bars (13) by snapping plastic tab locks (F) into the provided slots of crossbars (12,14). Note that it may be necessary to apply more pressure to some plastic tab locks than others.

Step 12



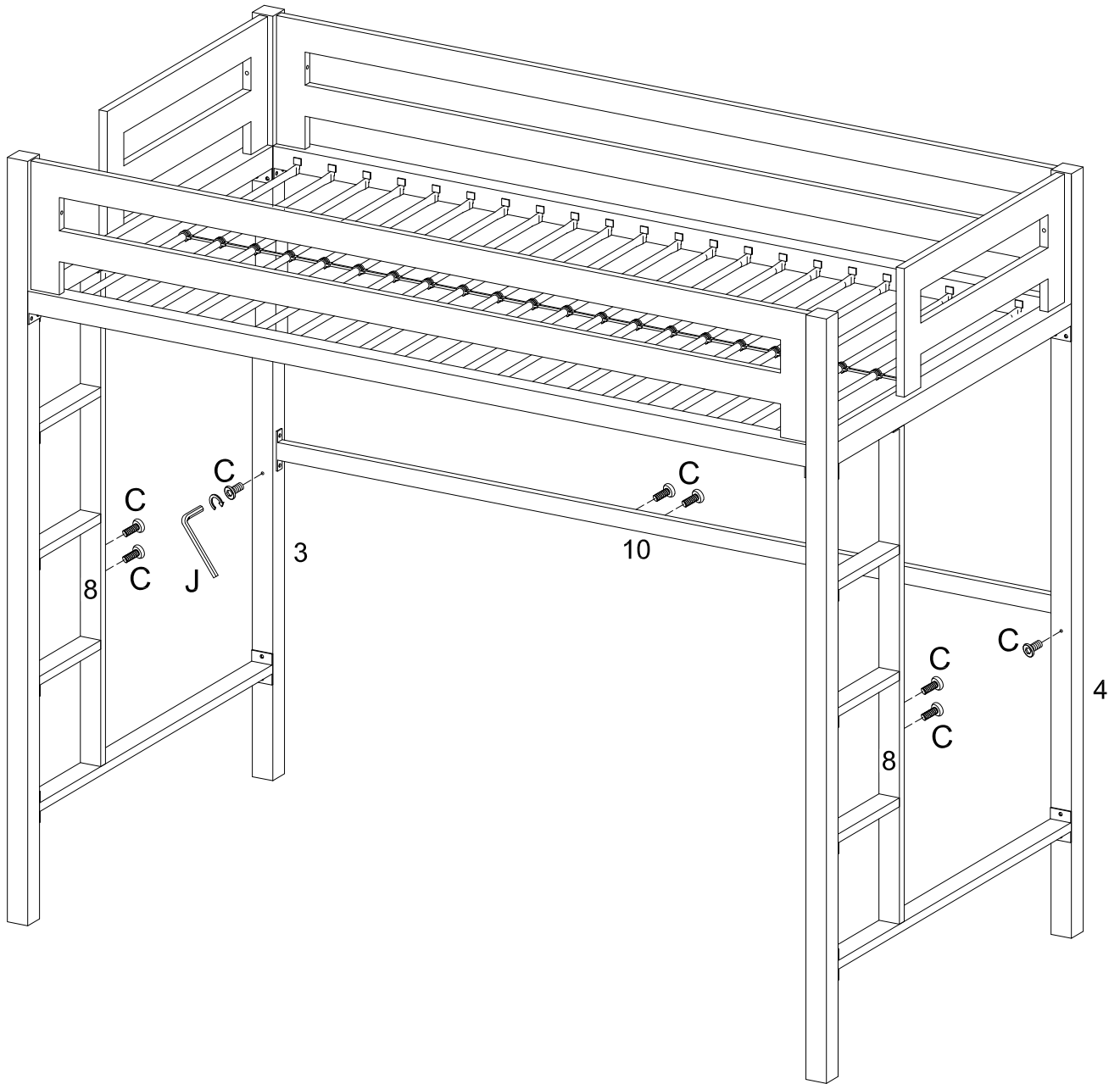
Snap plastic links (G) onto the middle of mattress support bars (13).

Step 13



**OPTIONAL: Angle brackets (H) can be used to attach the bed to a wall for additional support. You must use hardware suitable for the particular wall type, which is not included as there are many different wall types. You must also mount the bed to the structure of the wall (i. e. wood studs, metal studs or cement/brick) directly. DO NOT attach the bed to the surface of the wall without anchoring into the structural framework of the wall. Please seek professional advice if you are unsure of your own ability to do this correctly. Walker Edison Furniture Company makes no representation of warranty, expressed or implied, to the strength of any structure and the wall's ability to hold your bed. You assume all responsibility and indemnify Walker Edison Furniture Company of any and all damages that may be incurred by attaching your bed to the wall.*

Step 14



Screw bolts (C) into the bunk bed assembly. *This will fill the holes that are used only with the optional accessory attachments, which are sold separately.*

Step 15



Final Assembly