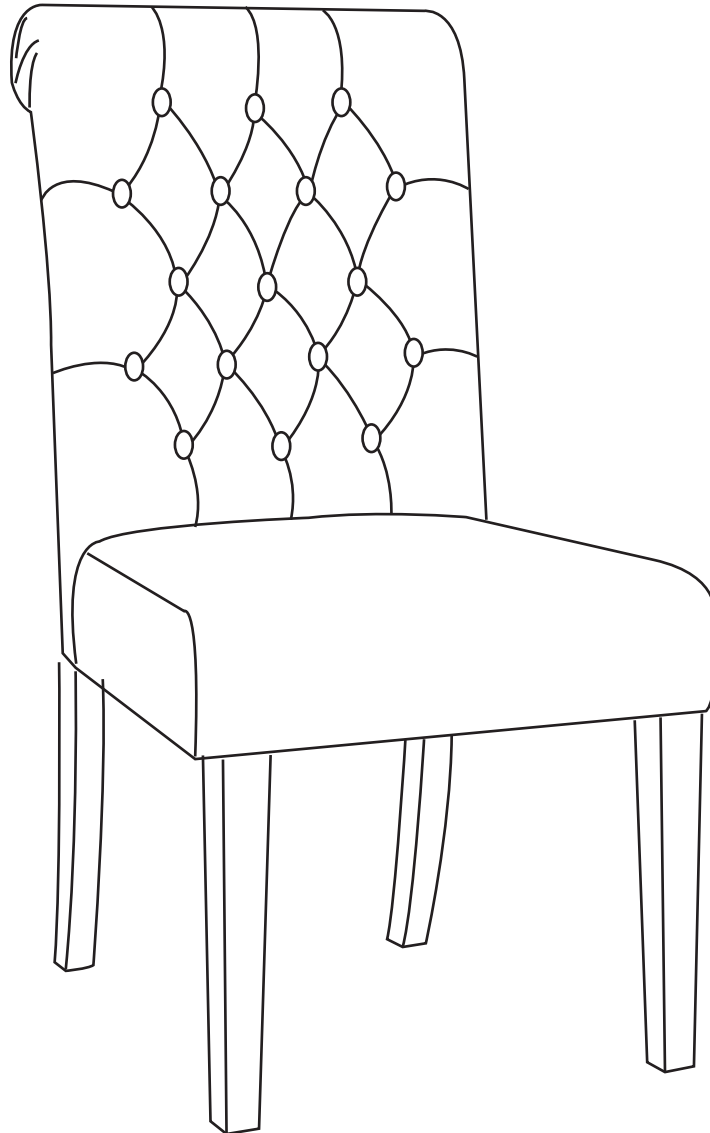








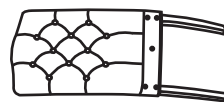
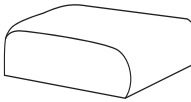

DINING CHAIR UC-2

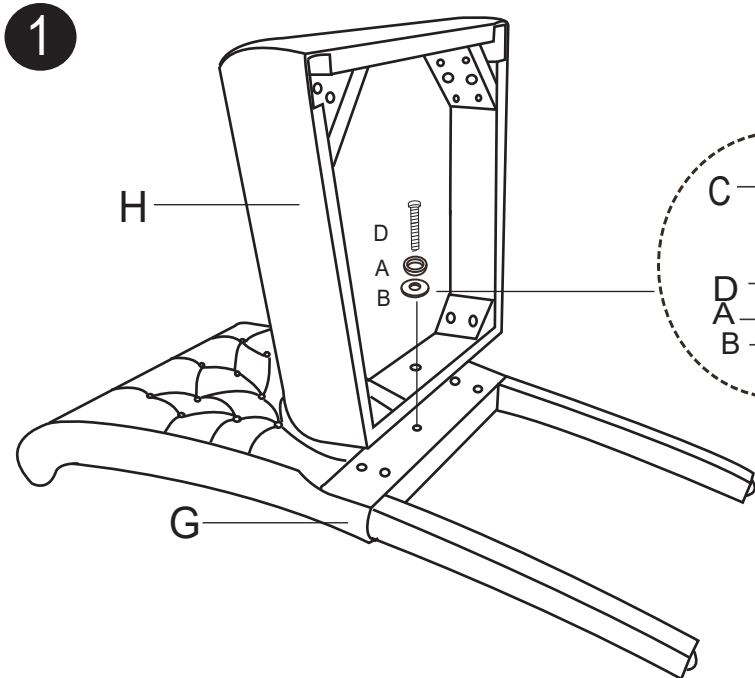


HARDWARE :

<p>A×9</p>  <p>Φ8</p> <p>Flat washer</p>	<p>B×9</p>  <p>Φ8</p> <p>Lock washer</p>	<p>C×1</p>  <p>M8</p> <p>Allen key</p>	<p>D×1</p>  <p>M8x55MM</p> <p>Shorter Screw</p>	<p>E×4</p>  <p>M8x60MM</p> <p>Medium Screw</p>	<p>F×4</p>  <p>M8x75MM</p> <p>Longer Screw</p>
---	---	---	--	---	---

PARTS LIST

<p>G×1</p>  <p>Back</p>	<p>H×1</p>  <p>Seat</p>	<p>I×2</p>  <p>Front Legs</p>
--	--	---



Put chair back on a clean flat surface.

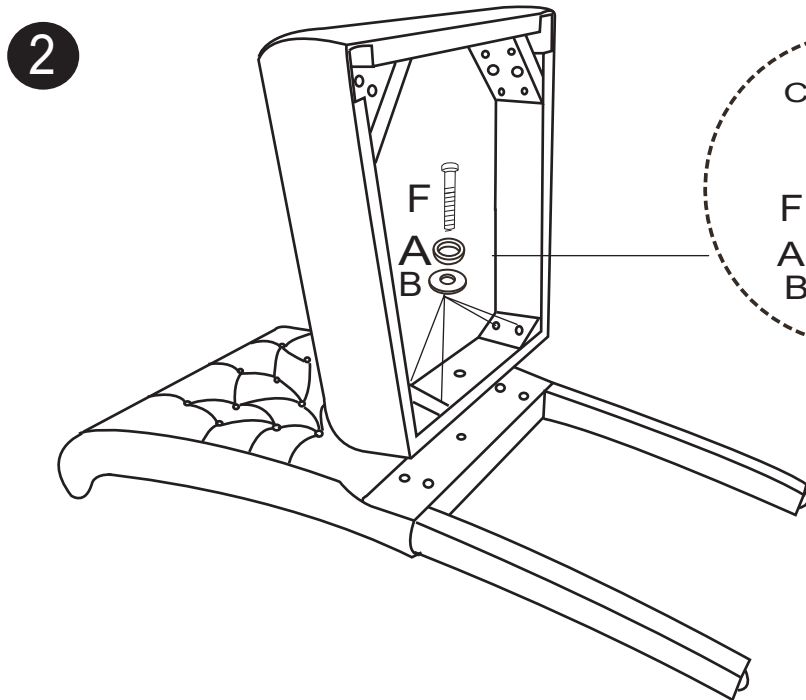
Place seat pad against chair back as shown in diagram.

Secure center holes of the seat pad to chair back by using SHORTER

SCREW (D) with Washer (#A,B).

DO NOT FULLY TIGHTEN.

First HAND tighten then tightened using key up-to 60-80% only at this stage.



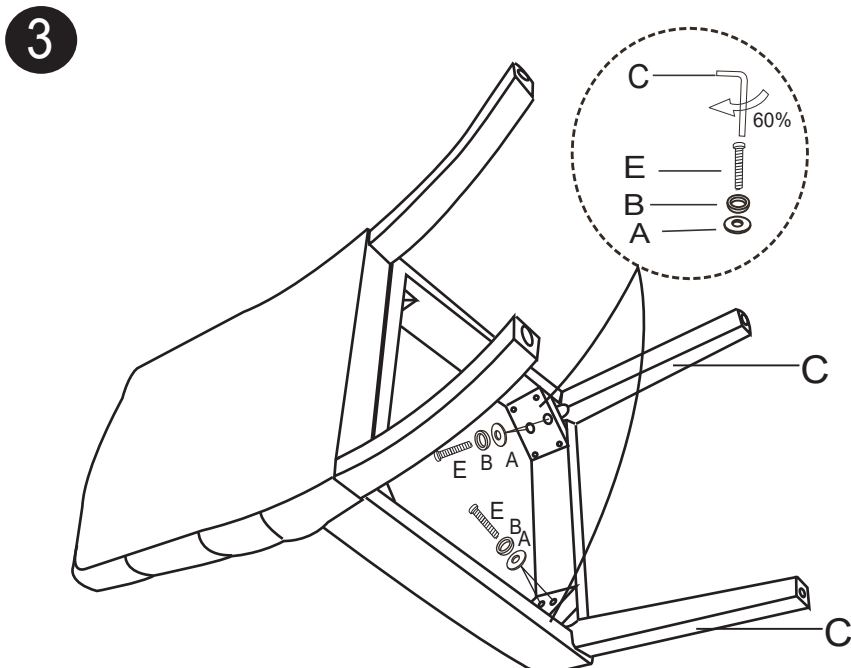
Secure both corner holes of the seat pad to the chair back by using

LONGER SCREWS (F) with washers (#A,B).

DO NOT FULLY TIGHTEN.

First HAND tighten All 4 screws TOGETHER at the same time.

Tightened up-to 60-80% using key only at this stage.



Align front legs in the seat pad as shown in the diagram.

Firm pressure is required to push the legs. use parts C,E,A,B, to secure Again

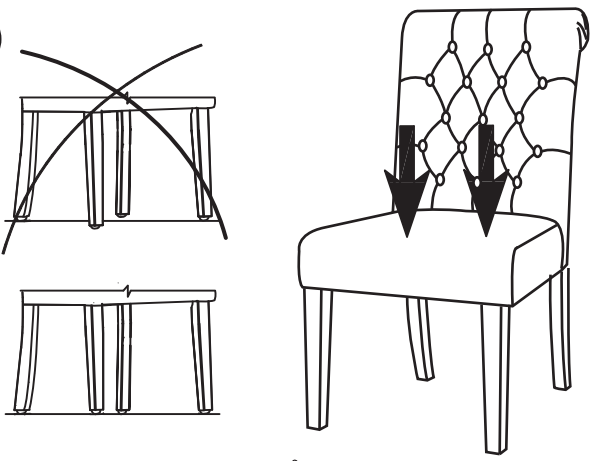
Secure both corner holes of the seat pad to the chair back by using screws MEDIUM SCREWS (E) with washers (#A,B).

DO NOT FULLY TIGHTEN.

First HAND tighten All 4 screws TOGETHER at the same time.

Tightened up-to 60-80% using key only at this stage.

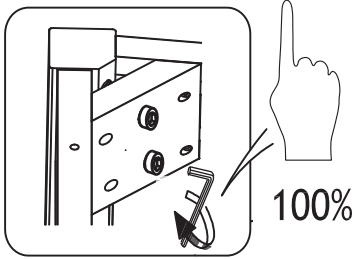
4



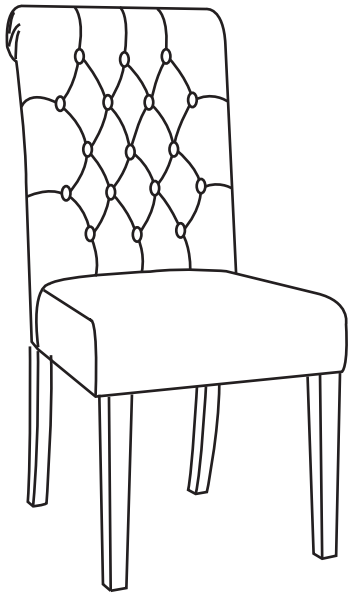
Put chair in the upright position and SIT ON THE CHAIR to press downwards on the seat pad ensuring that all 4 feet touch the ground and chair is leveled.

Proceed to tighten all screws making sure the chair remains level when tightening.

Check that all screws are tight on a regular basis to ensure chair remains level and secure.



5

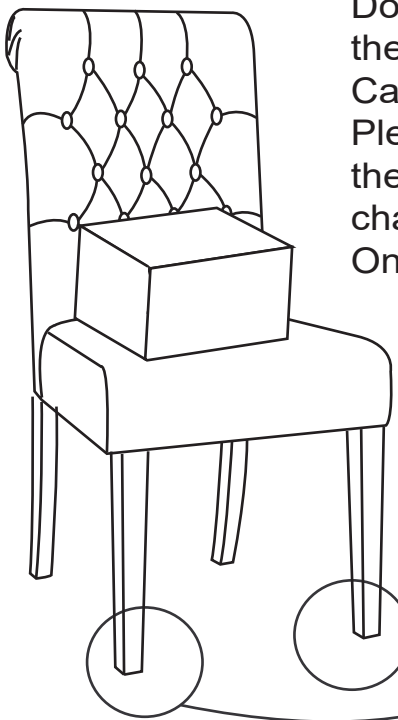


TROUBLESHOOT

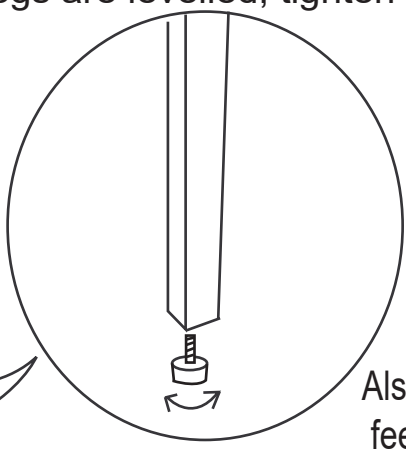
- One screw is in and other screw does not go in. Or Holes are not align.
1. Make sure to use 4 Medium screws (E) in Front Corner, 1 Shorter screw (D) in Back Center and longer screw (F) in the Corner Back.
 2. Loosen the screw and then First HAND tightened All screws TOGETHER at the same time. then tightened to 60-80% at this stage only using key.
 3. If both above steps are correct, please use Key to secure screws. It might be little stiff.

Chair Legs are not level or shorter legs.
If the screws are fully tightened. Loosen screws up-to 60%.
Put chair in the upright position and SIT ON THE CHAIR to press downwards on the seat pad ensuring that all 4 feet touch the ground and are leveled. Tightened all one by one.

6



Do not fully tighten the Bolts (screws) when assembling the chair. Tighten all bolts about halfway.
Carefully put the chair on flat surface.
Please put a heavy object or seat one adult on top of the Chair Body on top of the Chair Seat to pressure the chair leg for leveling.
Once All legs are levelled, tighten all the bolts fully.



Also you can using adjustable feet to keep four legs level .