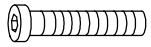


ASSEMBLY INSTRUCTIONS

4400077

Hardware Identification

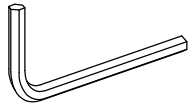


M6x60mm

Ⓐ x 04

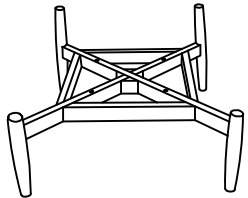


Ⓑ x 04

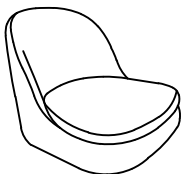


Ⓒ x 01

Part Identification

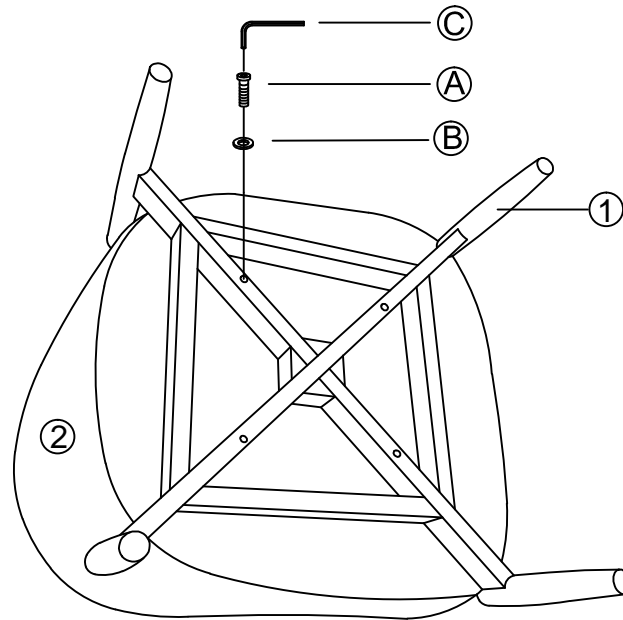


① x 1 PC



② x 1 PC

1



2

