



CAL LIGHTING

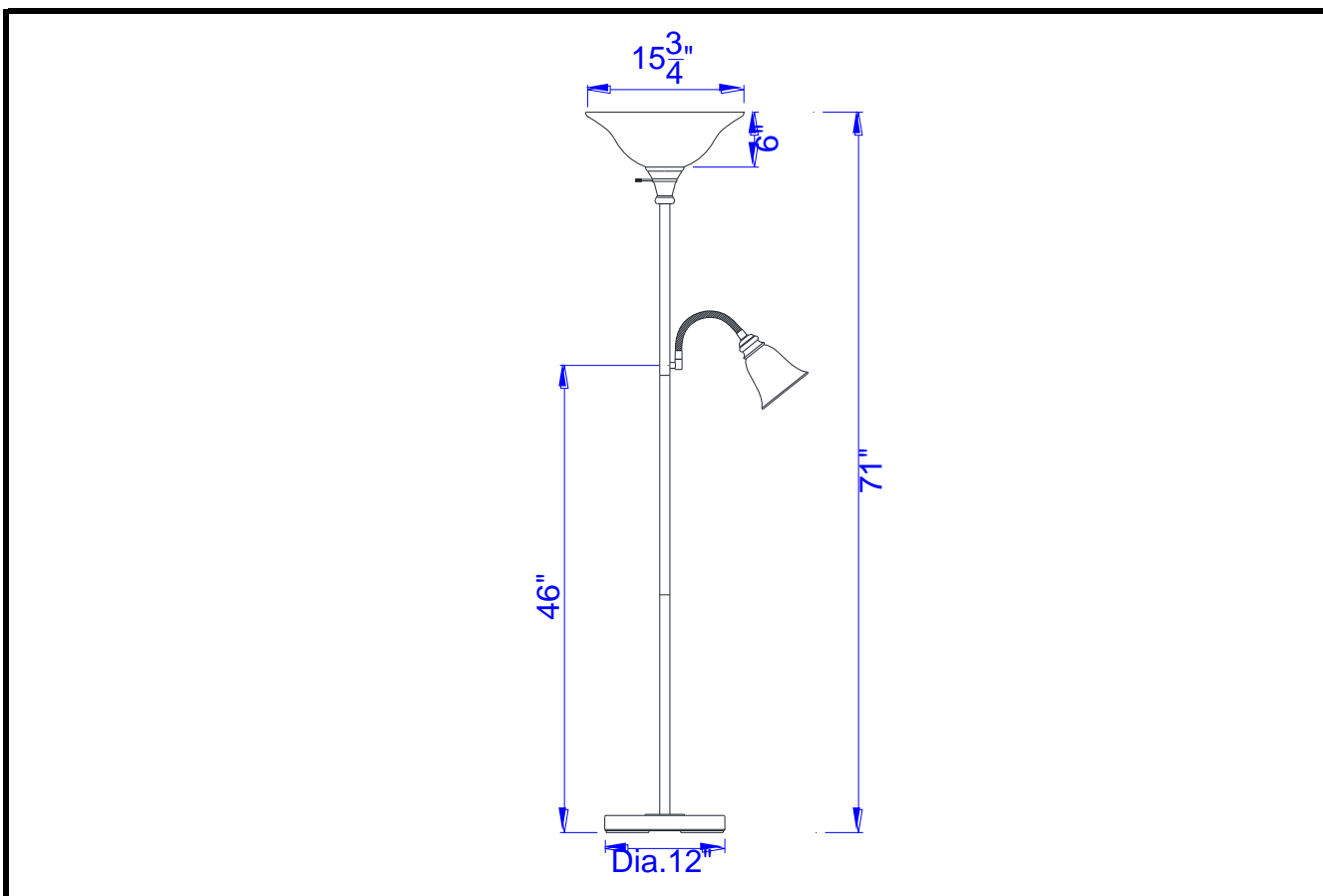
3625 E. Philadelphia St. Ontario CA. 91761 • Tel: 909.947.5200 • Fax:
909.947.5673 • www.calighting.com • service@calighting.com •
Specifications subject to change without notice

Type: _____

Project: _____

Catalog No.: _____

Lamp/Wattage: _____



Model No: BO-2391TR

Description: Metal Torchiere Lamp with 60W Gooseneck Reading Lamp

Material: Metal

Finish : DB (Dark Bronze)

Height: 71"

Base Width: Dia. 12"

Wattage : 100W+60W

Socket : Medium Base (E27)

Switch: 3-way

Bulb: Incandescent, CFL

Wire Length: 6'

Wire Color: Black

Shade No:

Material: Fabric+Glass

Shade size: Dia. 15 3/4"xH6" + Dia. 5 3/4"XH5"

Certificate : 