



Cirrus 8" Widespread Basin Faucet

FUS-13103

Congratulations on the purchase of your new Kraus plumbing fixture!

Please keep the box and packaging materials until your product is completely installed. If you have any questions, require technical assistance, or have any problems with your product:



DO NOT RETURN TO STORE

**Please contact our Customer Service Team
1-800-775-0703 / customerservice@kraususa.com**

Have the model number available, and retain a copy of your receipt with purchase date for reference.

If for any reason this product does not meet your expectations, please be sure to repack this product in the original box and packaging material to avoid damage during transit.

Prior to Installation:

- Make sure you have all necessary parts by checking the diagram and parts list. If any part is missing or damaged, please contact Kraus Customer Service at 800-775-0703 for a replacement
- Turn off the hot and cold water supply at the angle stops and turn on the old faucet to release any built up pressure. Remove existing faucet. Clean sink or countertop to remove any debris, plumber's putty, or silicone
- Place bucket under angle stops. Turn on to flush any debris prior to installing new plumbing. Shut off angle stops
- Max countertop thickness: 1-3/8"

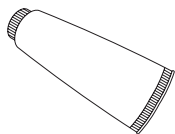
For technical assistance or replacement parts, please contact Kraus Customer Service and one of our representatives will be happy to help:

Toll-Free: 800-775-0703 or Customerservice@kraususa.com

Tools you will need:



Adjustable Wrench



Plumber's Putty
(optional)

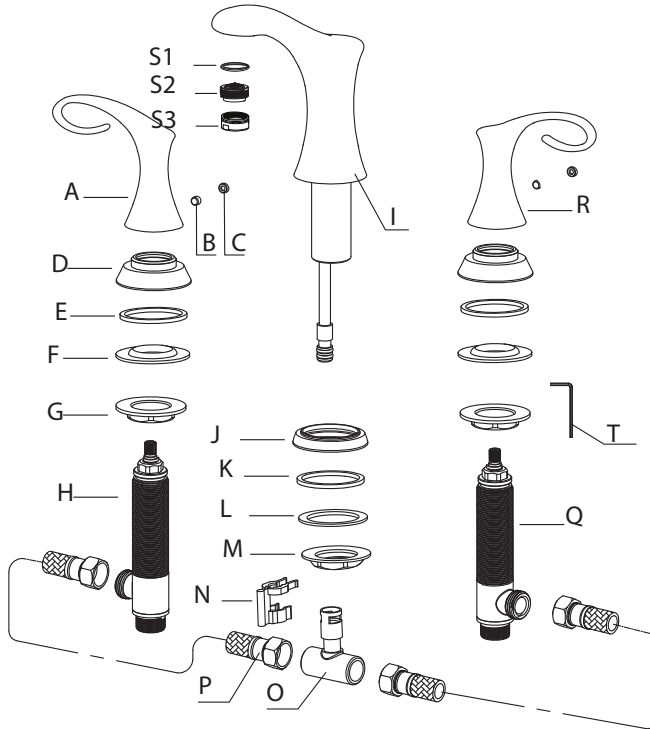


Safety Goggles



Bucket

Diagram and Parts List



A. Hot Handle

B. Set Screw

C. Cover Button

D. Base Metal Ring

E. Base O-Ring

(factory-installed in base metal ring)

F. Rubber Washer

G. Mounting Nut

H. Hot Valve

I. Spout

J. Spout Base

T. Hex Wrench

K. Base O-Ring

(factory-installed in spout base)

L. Rubber Washer

M. Mounting Nut

N. T-Union Clip

O. T-Union

P. Waterlines

Q. Cold Valve

R. Cold Handle

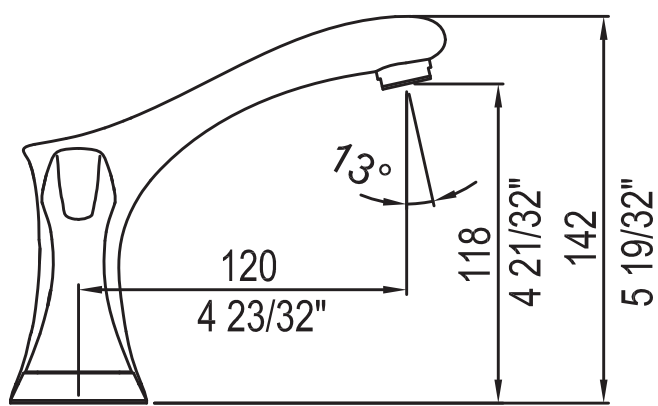
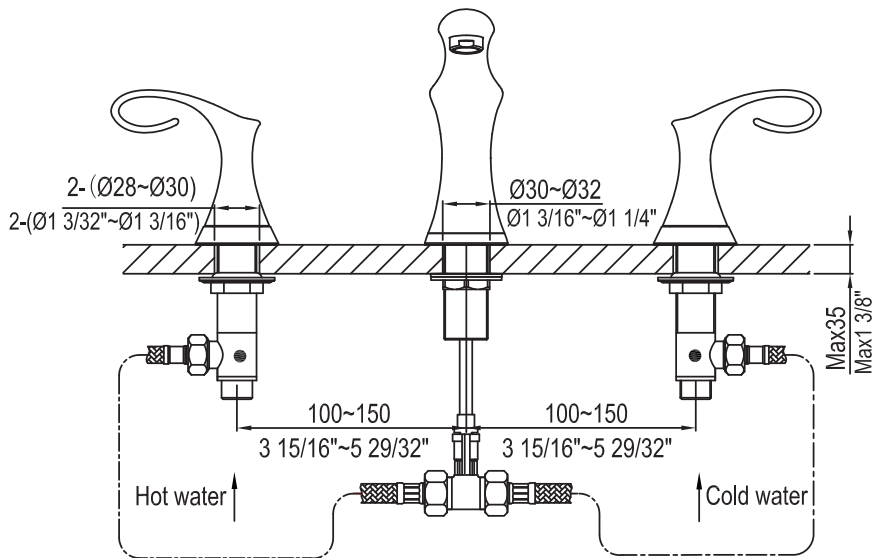
S. Aerator Assembly

S1. Aerator Washer

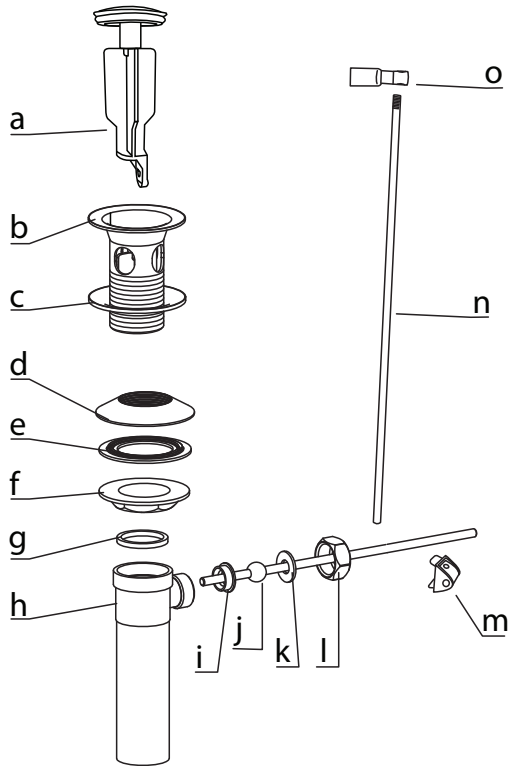
S2. Aerator

S3. Aerator Cover

Faucet Dimensions



Lift Rod Drain Diagram and Parts List



a. Waste Stopper

b. Drain

c. Rubber Washer

d. Concave Washer

e. Plastic Washer

f. Mounting Nut

g. Tailpipe Washer

h. Tailpipe

i. Top Hat Washer

j. Drain Off Pole

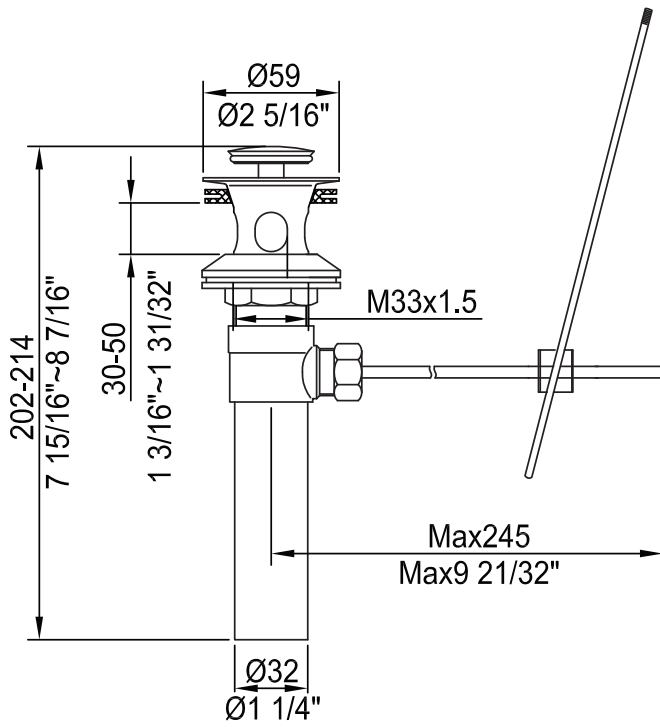
k. Washer

l. Retaining Nut

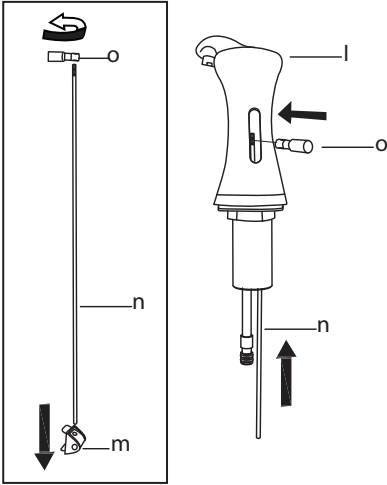
m. Clip

n. Lift Pole Rod

o. Lift Pole Knob

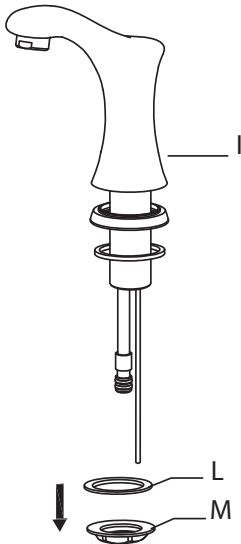


Step 1: Install lift pole rod and knob



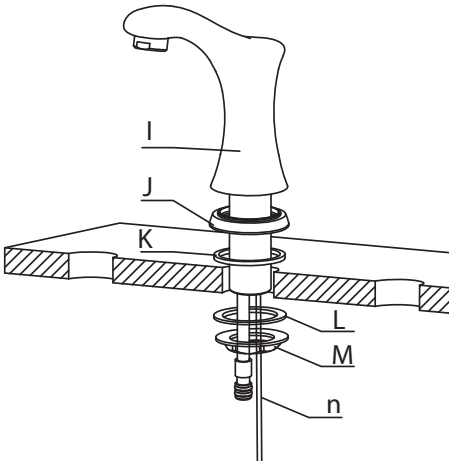
Remove lift pole knob (o) and clip (m) from lift pole rod (n). Insert lift pole rod (n), threads up, into the base of the spout (l). Place lift pole knob (o) in the back opening of the spout (l). Connect lift pole rod (n) to lift pole knob (o) and tighten

Step 2: Remove mounting hardware from spout



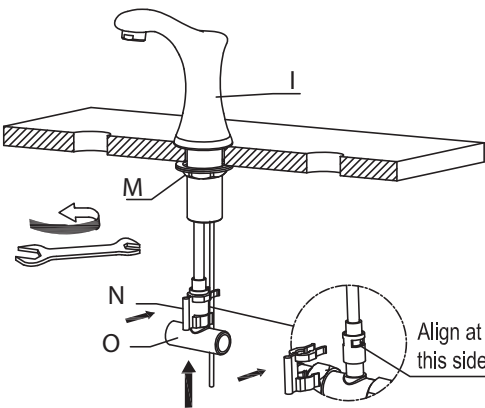
Remove mounting nut (M) and rubber washer (L) from spout (l)

Step 3: Install spout



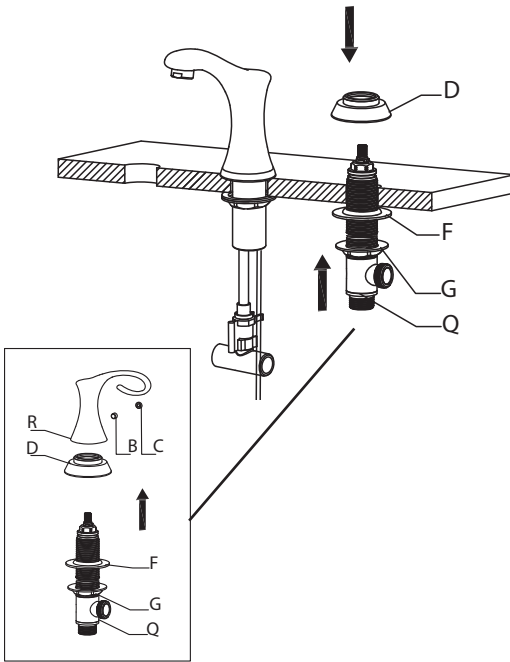
Install spout (I) through predrilled hole in sink or countertop with spout base (J), base O-ring (K), and lift pole rod (n) attached. Attach rubber washer (L), and mounting nut (M)

Step 4: Secure Spout



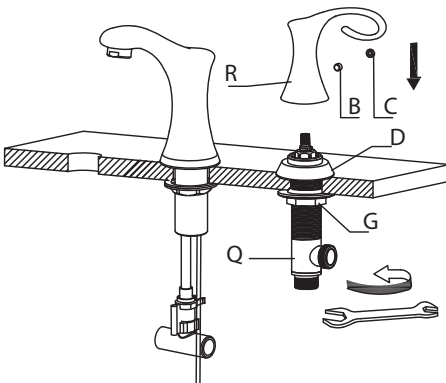
Adjust spout (I) to proper position and tighten mounting nut (M) with adjustable wrench. Install t-union (O) onto supply line of spout (I). Attach t-union clip (N) to secure t-union (O)

Step 5: Remove hot & cold handles, and base metal rings



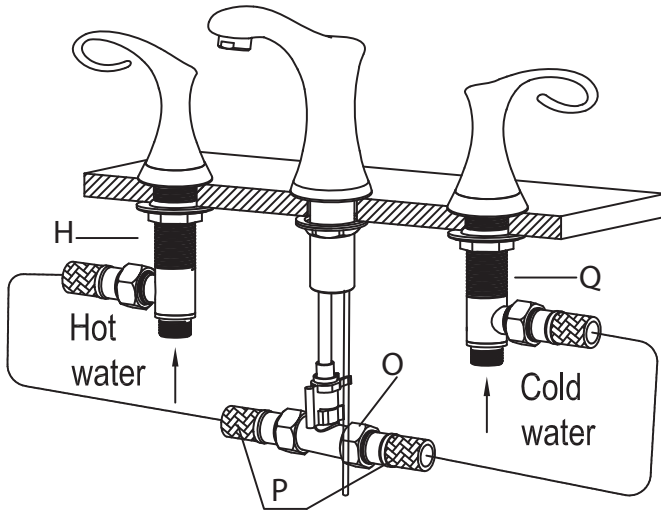
Remove cover button (C) from handle (R) and loosen set screw (B) with hex wrench (T). Remove handle (R), then remove base metal ring (D) from valve (Q). Insert valve (Q) into hole (Hot: Left, Cold: Right) from underneath. Repeat steps for second handle (A) and valve (H)

Step 6 : Secure valves



Connect base metal ring (D) onto valve from above. Tighten mounting nut (G) on valve (Q) from underneath with adjustable wrench until snug. Reinstall handle (R), tighten set screw (B), and insert cover button (C). Repeat steps for second handle (A) and valve (H)

Step 7: Connect waterlines to faucet and main valve



Thread waterlines (P) to hot and cold valve (H & Q) horizontally. Thread other end of waterlines to t-union (O). Attach hot & cold supply lines (not included with faucet) to valve (H & Q) vertically

A. HOT SIDE: Left

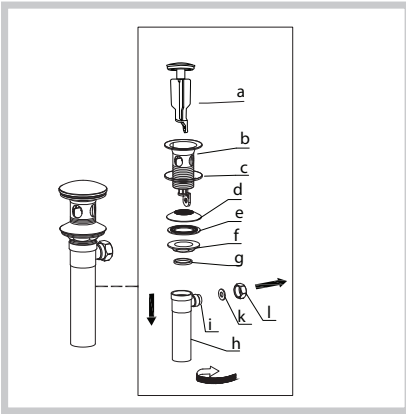
B. COLD SIDE: Right

Secure other end of waterlines to angle stops. Tighten all ends with adjustable wrench until snug. Turn on angle stops and check for leaks (DO NOT TURN ON FAUCET)

Please Note:

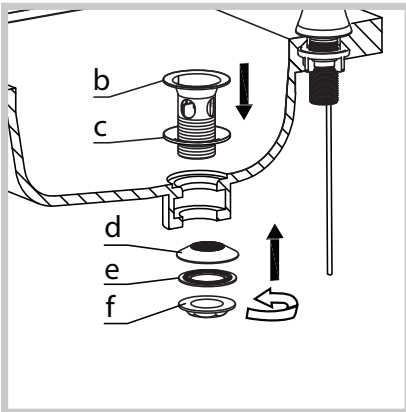
1. The faucet comes with waterlines (P). Supply lines are required to attach to the angle stops (not included)
2. Recommended waterlines: 3/8 in. OD x 1/2 in. IPS

Install drain

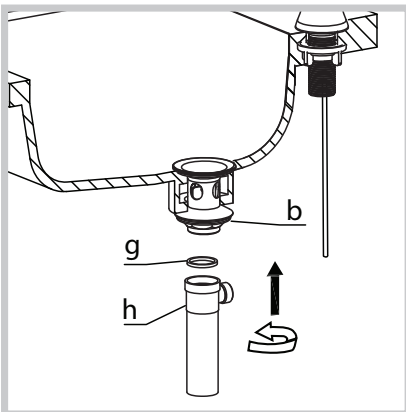


- Remove waste stopper (a) from drain (b). Remove tail pipe (i), mounting nut (f), plastic washer (e), and concave washer (d) from drain (b). Remove retaining nut (12) and washer (k) from tailpipe (h)

Installer Tip: Leave top hat washer (i) in drain off pole opening of tailpipe (h)



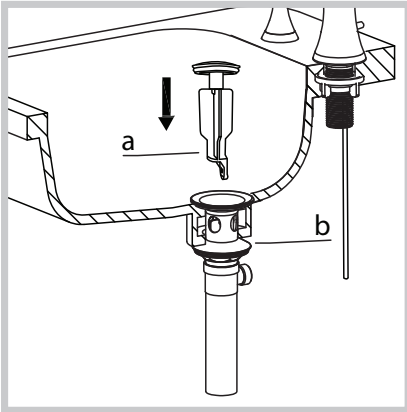
- Install drain (b), with rubber washer (c) attached, into the drain hole. From underneath, attach concave washer (d) (narrow end up), plastic washer (e), and mounting nut (f) to drain (b). Secure tightly to sink with an adjustable wrench



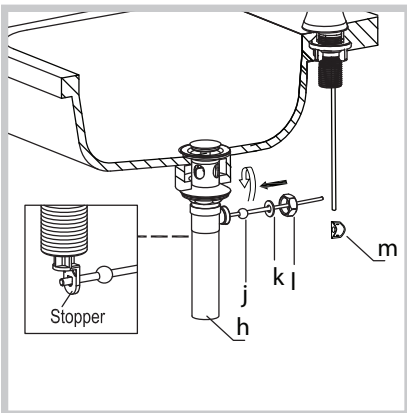
- Thread tailpipe (h) onto drain (b) and hand-tighten. Adjust tailpipe (h) so drain off pole opening is to the rear of the sink

Installer Tip: Make sure tailpipe washer (g) is installed in tailpipe (h)

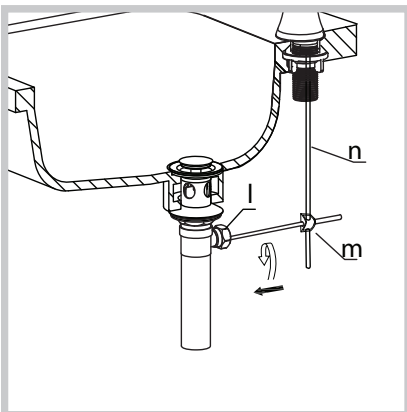
Install Drain



- Insert waste stopper (a) into drain (b). Make sure slot at end of the waste stopper (a) is facing the rear of the sink



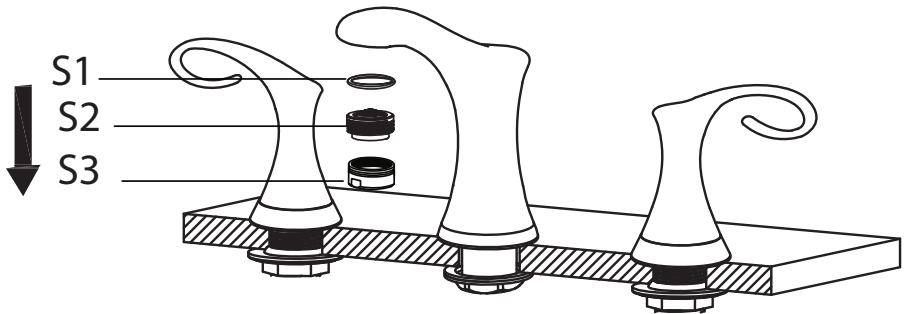
- Insert shortest end of drain off pole (j) into drain off pole opening of tailpipe (h). Make sure drain off pole (j) and slot on waste stopper (a) engage. Attach washer (k) and retaining nut (l) through drain off pole (j). Secure retaining nut (l) to drain off pole opening of tailpipe (h)



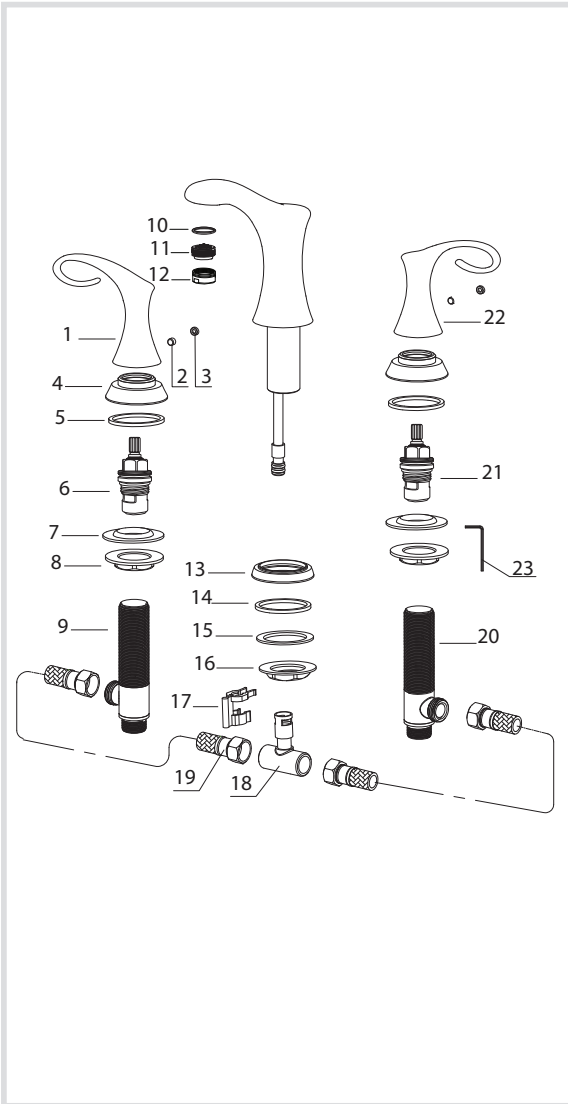
- Install clip (m) on lift pole rod (n) by pressing both ends of the metal sheet. Adjust clip (m) to the required height of the drain off pole (j). Insert drain off pole (j) into designated hole on clip (m)

Step 8: Flush faucet

Remove aerator assembly (S). Loosen aerator cover (S3) with adjustable wrench. Remove aerator (S2) and aerator washer (S1). Turn water on for 1 minute to remove any debris. Reassemble aerator assembly (S)

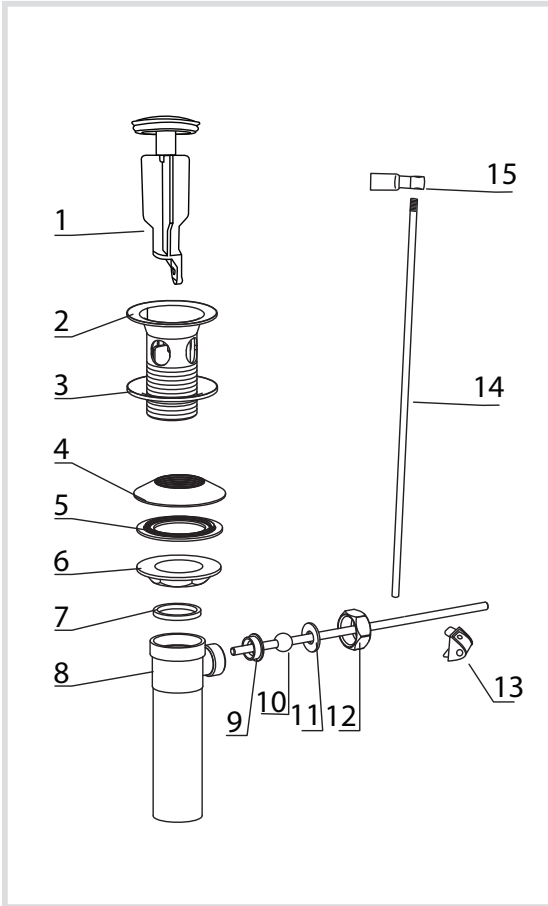


Replacement Part List - FUS-13103



1. Metal Handle - HOT
2. Set Screw
3. Cover Button
4. Base Metal Ring
5. Base O-Ring
6. Cartridge - HOT
7. Rubber Washer
8. Mounting Nut
9. Hot Valve
10. Aerator Washer
11. Aerator
12. Aerator Cover
13. Spout Base
14. Base O-Ring
15. Rubber Washer
16. Mounting Nut
17. T-Union Clip
18. T-Union
19. Waterlines
20. Cold Valve
21. Cartridge - COLD
22. Metal Handle - COLD
23. Hex Wrench

Replacement Part List - Lift Rod Drain



1. Waste Stopper
2. Drain
3. Rubber Washer
4. Concave Washer
5. Plastic Washer
6. Mounting Nut
7. Tailpipe Washer
8. Tailpipe
9. Drain Off Pole
10. Top Hat Washer
11. Washer
12. Retaining Nut
13. Clip
14. Lift Pole Rod
15. Lift Pole Knob

Trouble - Shooting

If you have followed the instructions carefully and your faucet still does not work properly, take the following corrective steps:

PROBLEM	CAUSE	ACTION
Leakage under handles	Hot or cold cartridge (6 or 21) may be loose	Remove cover button (3). Loosen set screw (2) with hex wrench (23). Remove metal handle (1 or 22). Tighten hot or cold cartridge (6 or 21) with adjustable wrench
Aerator drips or has inconsistent water flow pattern	Aerator (11) may be dirty or not seated properly	Unscrew aerator cover (12) with adjustable wrench. Remove aerator (11), and clean out debris
Water will not shut off completely	Hot or cold cartridge (6 or 21) may need to be adjusted or replaced	Remove cover button (3). Loosen set screw (2) with hex wrench (23). Remove metal handle (1 or 22). Remove hot or cold cartridge (6 or 21) with adjustable wrench. Check for cracks
Drain is leaking	Washers may be compromised or installed incorrectly	Check washers to make sure they are installed correctly and not cracked

Care & Maintenance

*To keep the product clean & shining, follow the steps below:

1. Rinse with clean water & dry with a soft cloth
2. Do not clean with soaps, acid, polish, abrasives, or harsh cleaners
3. Do not use cloth with a coarse surface
4. Unscrew the aerator and clean when necessary



*This installation manual is subject to change without further notice.

Codes/Standards Applicable:



NSF/ANSI 61



ASME A112.18.1M
1.2GPM 4.5L/min maximum

FAUCET WARRANTY

Kraus products are manufactured and tested to the highest quality standards by Kraus USA Inc. ("Kraus"). Kraus extends this warranty to the original purchaser for personal household use of the "Faucet" in its original location. The warranty is non-transferable.

Kraus warrants the structure and finish of the product to be free from defects in material and workmanship under normal usage for the lifetime of the product. The warranty commences from the initial date of purchase by the owner or trade professional, from an authorized Kraus dealer, through the lifetime of the original owner or end-user.

Kraus warrants the mechanical components (such as **sprayhead assembly**) of the product to be free from defects in material and workmanship under normal usage for a period of one (1) year. The warranty commences from the initial date of purchase by the owner or trade professional, from an authorized Kraus dealer, through the one (1) year term of the original owner or end-user.

Kraus warrants the mechanical component (**cartridge**) of the product to be free from defects in material and workmanship under normal usage for a period of five (5) years. The warranty commences from the initial date of purchase by the owner or trade professional, from an authorized Kraus dealer, through the five (5) year term of the original owner or end-user.

Any product reported to the authorized dealer or to Kraus as being defective within the warranty period will be repaired or replaced with a product of equal value at the option of Kraus. This warranty extends to the original owner or end-user, and is not transferable to a subsequent owner.

RESTRICTIONS

This warranty does not cover antediluvian, discontinued, or display products, whether such items are purchased at discount outlets, unauthorized dealers, and/or sold on clearance.

This warranty does not cover instances of negligence, misuse, abuse, improper installation, carelessness, accident, hard water or mineral deposits, exposure to corrosive materials, misapplication, damages caused by improper maintenance, alteration of the product, or failure to follow care or installation instructions enclosed with your product. Avoid using abrasive cleaners such as powders, bleach, ammonia, alcohol, or chlorine. Avoid using abrasive pads, steel wool, or wire brushes, as these will damage and wear down the finish.

This warranty does not apply to Products that have not been installed or operated in accordance with instructions supplied by Kraus and all applicable rules, regulations, and legislation pertaining to such installations.

This warranty does not apply unless the Kraus product is installed by a fully insured and licensed trade professional. Kraus insists that such professionals have experience in the installation of bathroom and kitchen manufactured goods.

This warranty does not cover labor charges or costs of removal and reinstallation of said product. This warranty does not allow recovery of incidental or consequential damages, such as loss of use, delay, property damage, or other consequential damages, and Kraus accepts no liability for such damages.

This warranty does not cover Marine or Outdoor Installation.

Except as otherwise provided above, Kraus makes no warranties, expressed or implied, including warranties of

merchantability and fitness for a particular purpose, or compliance with any code.

Shipping charges will be covered for the first (1) year of the warranted replacement part or product (HI, AK, and Puerto Rico shipping charges may apply). International shipping fees are not included.

COMMERCIAL WARRANTY

Kraus extends the above warranty for a period of one (1) year to purchasers of products for industrial, commercial, and business use.

All incidental or consequential damages are specifically excluded. No additional warranties, express or implied, are given, including but not limited to any implied warranty of merchantability or fitness for a particular purpose.

Some states do not allow the exclusion or limitation of incidental or consequential damages or limitations on how long an implied warranty lasts, so the above limitations or exclusions may not apply to you.

This warranty gives you specific legal rights, and you may also have other rights which vary from state to state.

If you are a homeowner please contact a Kraus Customer Service Representative at:

Kraus USA, Inc.
12 Harbor Park Drive
Port Washington, NY 11050
Toll-free 800-775-0703
Customerservice@kraususa.com

If you are a plumbing contractor or trade professional please contact a Kraus Pro Representative at:

Kraus USA, Inc.
12 Harbor Park Drive
Port Washington, NY 11050
516-801-8955
Proservice@kraususa.com

If you are an Authorized Partner please contact a Partner Support Representative at:

Kraus USA, Inc.
12 Harbor Park Drive
Port Washington, NY 11050
516-801-8954
Partnersupport@kraususa.com

In requesting warranty service, please be ready to provide:

1. Proof of purchase.
2. A description of the problem.

Download the Kraus Care & Maintenance Guide at:

<http://www.kraususa.com/maintenance>

IMPORTANT

Register Your Kraus Product

Activate Your Warranty

Access Premium Customer Support

Get Product Information

REGISTER TODAY

<http://www.kraususa.com/registration>



Kräus[®]
www.kraususa.com