



## **FANAWAY CLASSIC CEILING FAN**

- **INSTALLATION**
- **OPERATION**
- **MAINTENANCE**
- **WARRANTY INFORMATION**

### **CAUTION**

**READ INSTRUCTIONS CAREFULLY FOR SAFE  
INSTALLATION AND FAN OPERATION.**

**GB****THANK YOU FOR PURCHASING**

Thank you for purchasing this quality Fanaway product. To ensure correct function and safety, please read and keep all instructions before using the product.

**SAFETY PRECAUTIONS****Read and Save These Instructions**

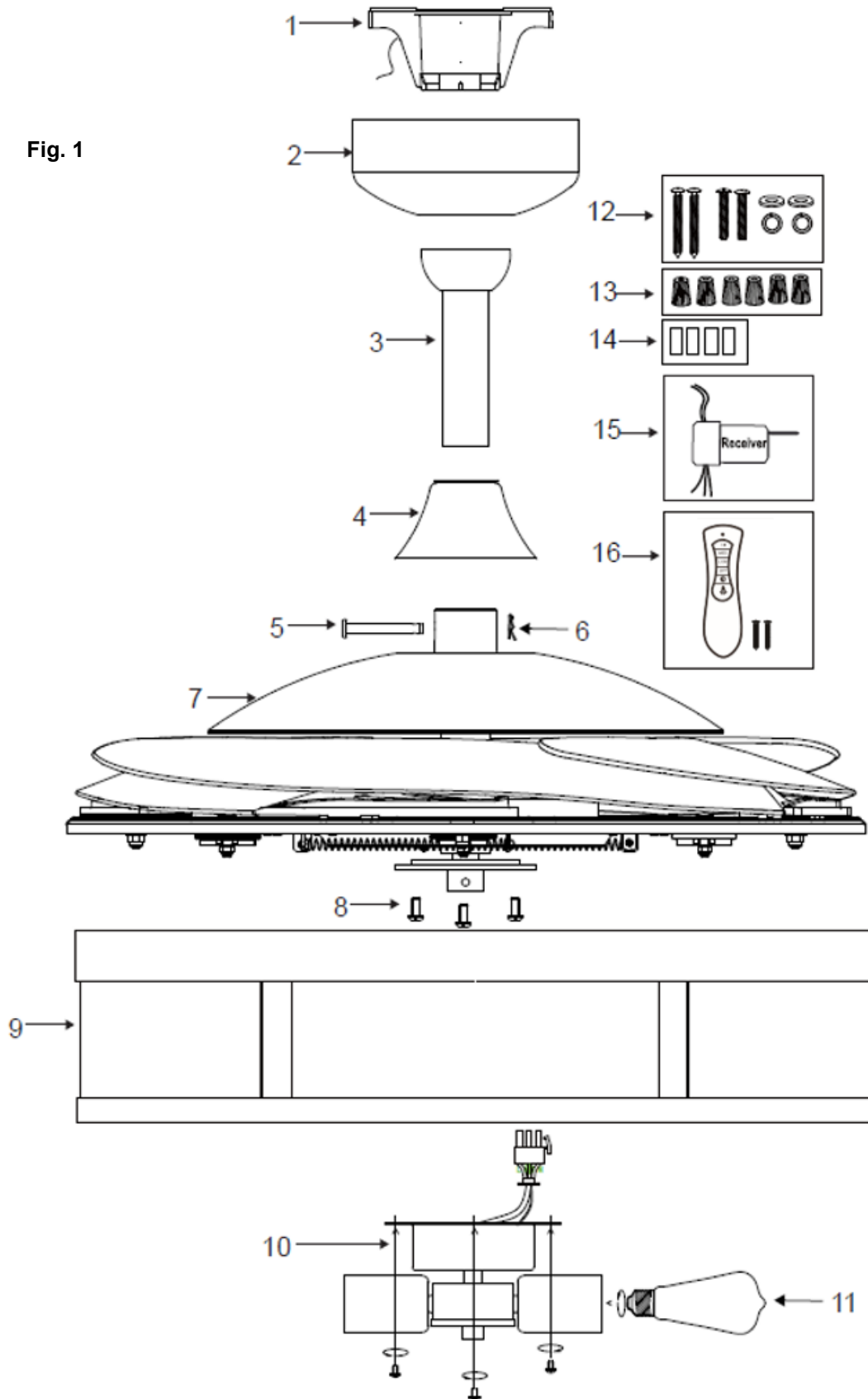
This product conforms to UL standard 507.

1. **WARNING** - To avoid possible electrical shock, before installing or servicing your fan, disconnect the power by turning off the circuit breaker of the fuse box to the outlet box.
2. **WARNING** - To reduce the risk of fire, electric shock, or personal injury, mount to outlet box marked "acceptable for fan support of 35 lbs (15.9 kg) or less" and use the mounting screws provided with the outlet box and/or support directly from building structure. Most outlet boxes commonly used for the support of luminaires may not be acceptable for fan support and may need to be replaced. Consult a qualified electrician if in doubt.
3. **WARNING** - To reduce the risk of fire or electric shock, do not use this fan with any solid-state speed control device.
4. **WARNING** - To reduce the risk of personal injury, do not bend the blade brackets when installing the blade brackets balancing the blades, or cleaning the fan. Do not insert foreign objects in between rotating fan blades.
5. **CAUTIONS** - All wiring must be in accordance with the National Electrical Code (ANSI/NFPA 70) and local electrical codes. Electrical installation should be performed by a qualified licensed electrician.
6. To reduce the risk of injury to person, the fan must be mounted with a minimum of 7 feet clearance from the bottom edge of the blades to the floor.
7. After marking electrical connections, spliced conductors should be turned upward and pushed carefully up into the outlet box. The wires should be spread apart with the grounded conductor and the equipment-grounding conductor on one side of the outlet box.
8. This equipment has been tested and found to comply with the limits for a Class B digital device, pursuant to part 15 of the FCC rules. These limits are to provide reasonable protection against harmful interference in a residential installation. This equipment generates, uses and can radiate radio frequency energy and if not installed and used in accordance with the instructions may cause harmful interference to radio communications.

**PARTS LIST**

Unpack your ceiling fan and carefully identify the parts. Please refer to Fig 1.

Fig. 1

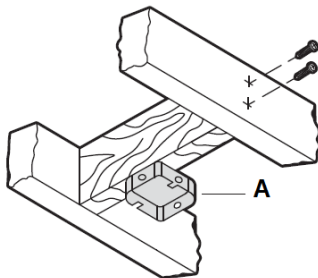


- |    |                              |    |                     |
|----|------------------------------|----|---------------------|
| 1  | Mounting bracket x 1         | 11 | Bulb x 3            |
| 2  | Canopy x 1                   | 12 | • Wood screw x 2    |
| 3  | Down rod with ball joint x 1 |    | • Machine screw x 2 |
| 4  | Bolt and pin cover x 1       |    | • Flat washer x 2   |
| 5  | Bolt x 1                     |    | • Spring washer x 2 |
| 6  | Pin x 1                      | 13 | Wire nut x 6        |
| 7  | Fan assembly x 1             | 14 | Balance tape x 4    |
| 8  | Screw for lamp base x 3      | 15 | Receiver x 1        |
| 9  | Lamp shade x 1               | 16 | Remote x 1 set      |
| 10 | Light kit x 1                |    |                     |

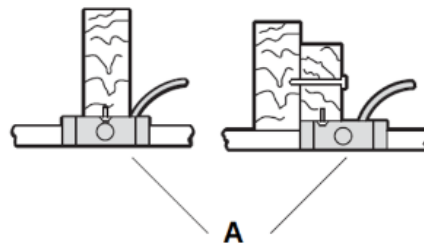
## INSTALLING THE MOUNTING BRACKET

If there isn't an existing outlet box, then install one using the following instructions:

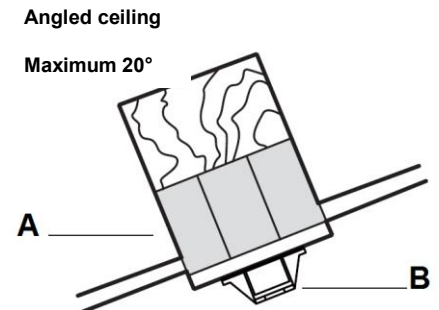
- Disconnect the power by removing the fuses or turning off the circuit breakers.
- Secure the outlet box (A) (not included) directly to the building structure. Use appropriate fasteners and materials (not included). The outlet box and its bracing must be able to fully support the weight of the moving fan (at least 35 lbs). Do not use a plastic outlet box.
- Figures below show three different ways to mount the outlet box (A) (not included).



**Fig. 2**



**Fig. 3**



**Fig. 4**

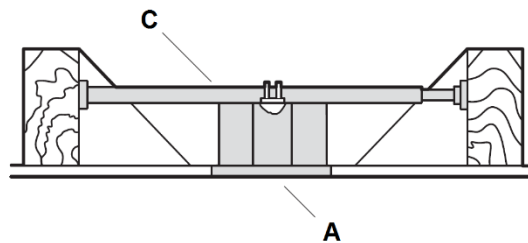
This fan hanging system supports a maximum 20 degree angled ceiling installation. **Fig. 4**

**NOTE:** If you are installing the ceiling fan on a sloped ceiling, you may need a longer downrod to maintain proper clearance between the tip of the blade and the ceiling.

**NOTE:** The ceiling fan must be installed in a location so that the blades are spaced 300mm from the tip of the blade to the nearest objects or walls.

**NOTE:** For angled ceiling installation, the opening of the mounting bracket (B) must be pointed toward the peak.

To hang your fan where there is an existing fixture but no ceiling joist, you may need an installation hanger bar (C) as shown in **Fig.5**. Make sure the hanger bar you purchase has been designed for use with ceiling fans.



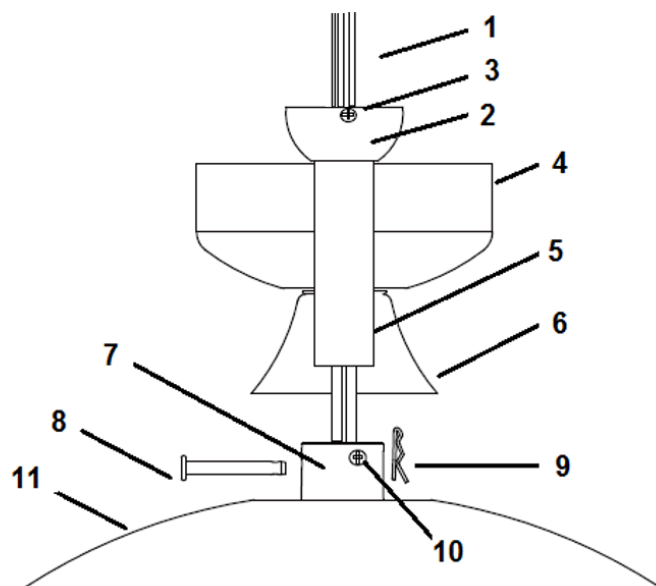
**Fig. 5**

## INSTALLING THE FAN

### Installing the down rod

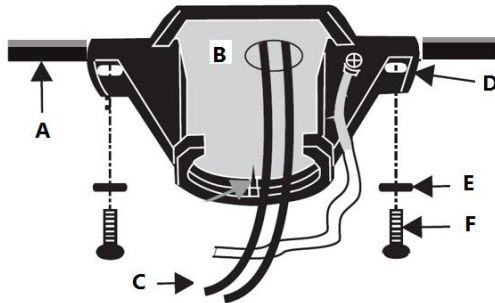
- 1) Feed the down rod (5) through the canopy (4) and the bolt and pin cover (6).
- 2) Remove the ball joint (2) by loosening the set screw (3), insert the motor wires through the down rod then secure the ball joint back to the down rod.
- 3) Insert the down rod to the coupling (7), line up the coupling holes with the down rod holes and insert the bolt (8). Then insert the pin (9) to the end of the bolt.
- 4) Finally secure the down rod and coupling by tightening the two set screws (10) on the coupling.

**Fig. 6**

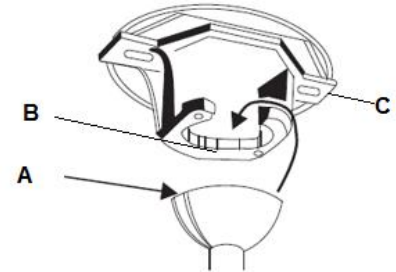


**HANGING THE FAN**

Pass the power supply wires (C) from the ceiling outlet box (B) through the center of the ceiling mounting bracket (D). Install the ceiling mounting bracket (D) on the outlet box (B) with the mounting screws (F) provided with the outlet box and washers (E) provided with fan. **Fig. 7**



**Fig. 7**



**Fig. 8**

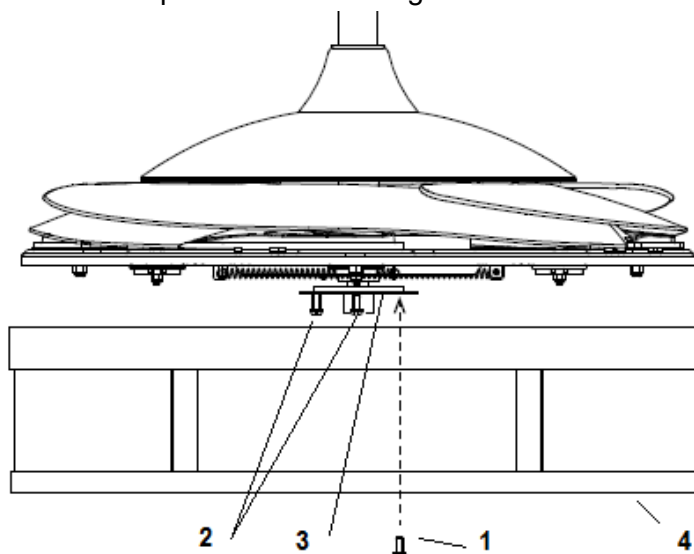
Lift the fan assembly onto the mounting bracket. Ensure the registration slot (A) of the hanger ball is positioned on the stopper (B) of the mounting bracket (C) to prevent the fan from rotating when in operation. **Fig.8**

**FAN INSTALLATION**

**Light kit installation**

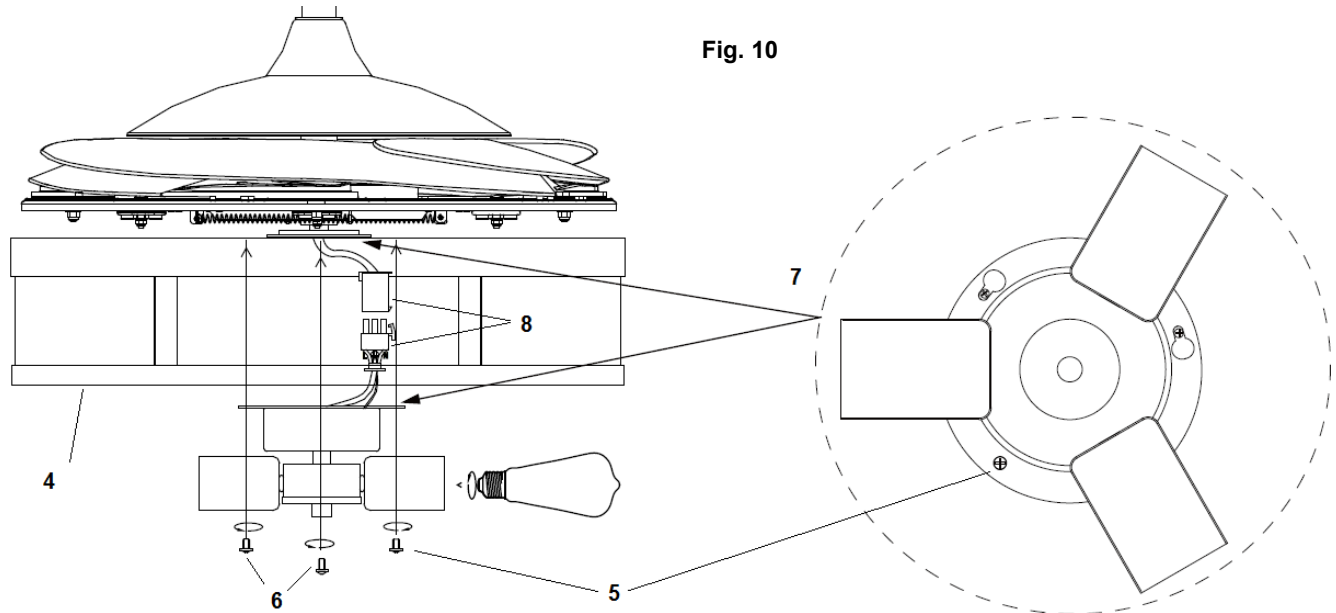
**CAUTION** – To reduce the risk of electric shock, disconnect the electrical supply circuit to the fan before installing light kit. Light kit weight: 9.92 lb.

1. Loosen the screw (1) from the lamp shade bracket (3). Align the two slot screws (2) with the keyhole slots of the lamp shade (4). **Fig.9**
2. Turn the lamp shade counterclockwise until the slot screws are firmly at the end of the slots.
3. Secure screw 1 back to the lamp shade bracket. Tighten all three screws. Do not over-tighten.



**Fig. 9**

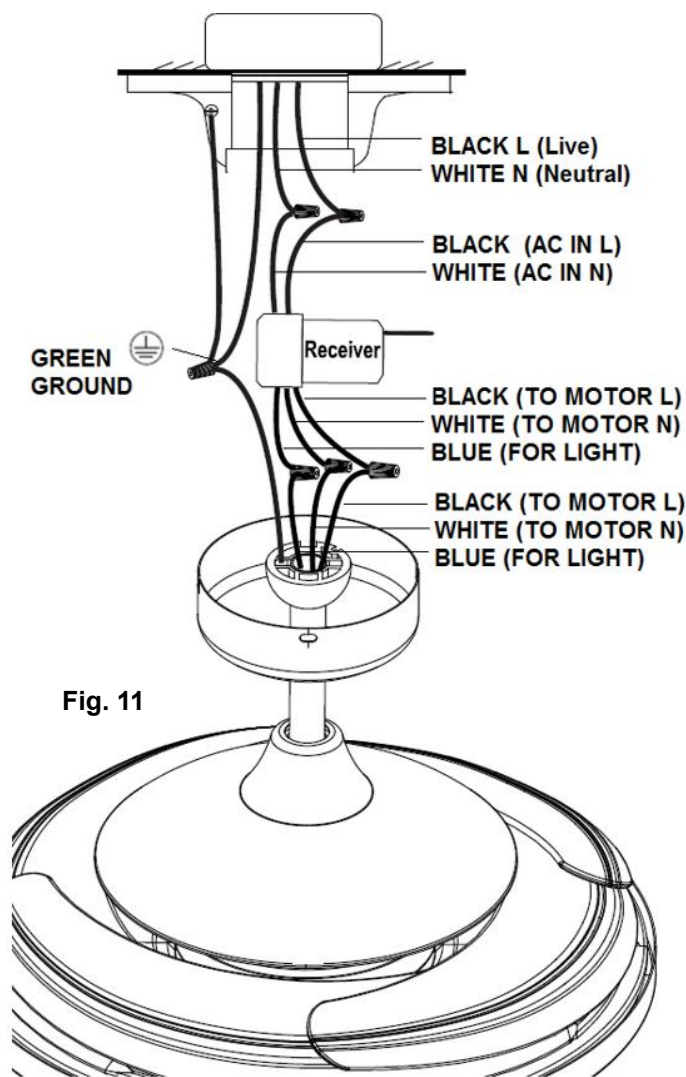
4. Connect the plugs (8) together. **Fig.10**
5. Loosen the screw (5) from the lamp shade (4). Align the two slot screws (6) with the keyhole slots of the light kit (7).
6. Turn the light kit counterclockwise until the slot screws are firmly at the end of the slots.
7. Secure screw (5) back to the lamp shade. Tighten all three screws. Do not over-tighten.
8. Install the bulbs to lamp holder (bulbs included)



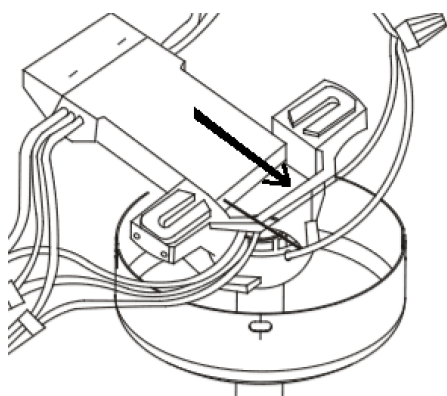
**ELECTRICAL WIRING DIAGRAM**

**WARNING:** To avoid possible electrical shock, be sure you have turned off the power at the main circuit panel.

Follow the steps below to connect the fan to your household wiring. Use the wire connecting nuts supplied with your fan. Secure the connectors with electrical tape. Make sure there are no loose wire strands or connections.



1. Connect the household live supply wire (black) to receiver input wire (black, AC IN L) as shown in **Fig. 11**.
2. Connect the household neutral supply wire (white) to the receiver input wire (white, AC IN N).
3. Connect the household ground wire to the fan bracket ground wire (green) and fan body ground wire.
4. Connect the receiver output wire (black, TO MOTOR L) to motor live input wire (black, TO MOTOR L).
5. Connect the receiver output wire (white, TO MOTOR N) to motor neutral input wire (white, TO MOTOR N)
6. Connect the receiver output wire (blue, FOR LIGHT) to fan light live input wire (blue, FOR LIGHT)
7. After connecting the wires, spread them apart so that the green and white wires are on one side of the outlet box and the black and blue wires are on the other side.
8. Turn the connecting nuts upward and push the wiring into the outlet box.





## FINISHING THE INSTALLATION

Slide and align the canopy up to the mounting bracket. Ensure all electrical wiring is tucked inside the canopy and that the wires are not damaged during this step. Secure the canopy to the hanger bracket using the screws provided.

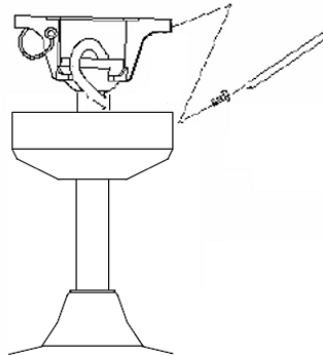


Fig. 12

## USING YOUR CEILING FAN

### SETTING DIP SWITCHES

When two or more fans are located near each other, you may desire to have the receiver/transmitter for each fan set to a different code, so that the operation of one fan does not affect the operation of the other fans.

The DIP switches for the receiver are located on the flat surface of the receiver. The DIP switches for the transmitter are in the battery compartment. **Fig. 13.**

**NOTE:** Ensure that the power to the supply wires has been turned off before setting the code.



Fig. 13

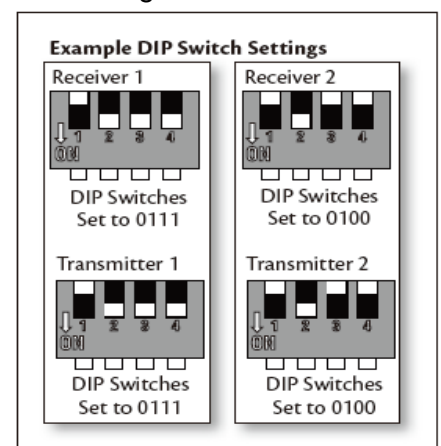


Fig. 14

Change the position of the DIP switches in the remote transmitter and the receiver. Make sure that the DIP switches match in the remote receiver and transmitter. If they don't match, the transmitter will not function. **Fig. 14**

## INSTALLING THE REMOTE BATTERY

2 x AAA 1.5V (size) batteries are required to operate the remote control. Remove the battery cover from the back of the remote and insert 2 x AAA batteries. Ensure the polarities are correct as shown in the battery compartment. (Batteries included.)

## OPERATING THE REMOTE:

Before you start using the remote, take the time to read through this section and get familiar with the buttons and function of each button.

### **LED Indicator**

The red LED indicator on the top of the transmitter will flash when the buttons are active.

### **BUTTONS ON THE REMOTE**

**HI:** Press the button to set fan running at High speed.

**MED:** Press the button to set fan running at Medium speed.

**LOW:** Press the button to set fan running at Low speed.

**OFF:** Press the button to turn OFF the fan.



**LIGHT CONTROL BUTTON:**

Press the button to turn the light ON/OFF.

Press and hold the button to access the light dimming function.

### **D / ON SWITCH :**

This switch marked **D/ON** controls the dimming function of the lights. If using non-dimmable bulbs, use a ballpoint pen or small screwdriver to set the switch to “**D**” to disable the dimming function. If using dimmable halogen bulbs, set the switch to “**ON**” to enable the dimming function. **Fig. 16**



**Fig. 15**



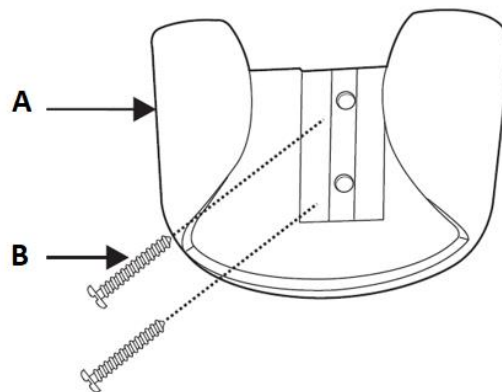
**Fig. 16**

The remote has memory function. If the fan or light is turned off by the isolating switch, it will memorise and recover the last status when turned on next.

## **INSTALLING THE TRANSMITTER HOLDER**

Install the holder to the wall with two screws provided, hang up the transmitter by the holder.

Fig. 17



## **AFTER INSTALLATION**

### **WOBBLE:**

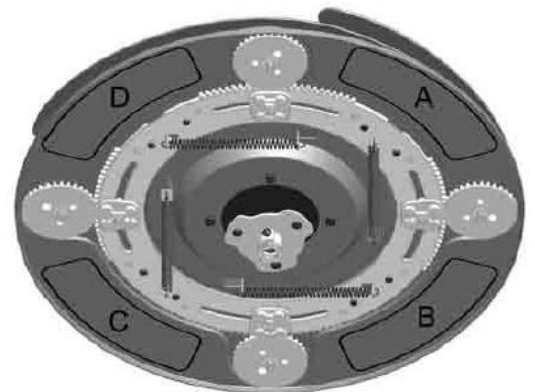
NOTE: ceiling fans tend to move during operation due to the fact that they are mounted on a rubber grommet. If the fan was mounted rigidly to the ceiling it would cause excessive vibration. Movement of a few centimetres is quite acceptable and DOES NOT suggest any problem.

**TO REDUCE THE FAN WOBBLE:** Please check that all screws which fix the mounting bracket and down rod are secure.

### **BALANCING A WOBBLING CEILING FAN:**

For your convenience, a Balancing Kit is included; please follow this procedure when balancing the fan:

- 1) Install the fan without the light kit before balancing the fan.
- 2) Define the base plate into four areas (point A, B, C and D). Use one weight from the balance kit to lightly stick on the edge of the base plate (point A), if the wobble worsens, then take off the balance kit and lightly stick it on the opposite side (point C); if the wobble is worse, then go to the adjacent point B or D, if the wobble gets lessens, then securely stick on the weight at this location on the base plate.
- 3) After balancing the fan, assemble the light kit to the light base.



### **NOISE:**

When it is quiet (especially at night) you may hear occasional small noises. Slight power fluctuations and frequency signals superimposed in the electricity for off-peak hot water control, may cause a change in fan motor noise. This is normal. Please allow a 24-hour “breaking -in” period, most noises associated with a new fan disappear during this time. All electric motors are audible to some extent. Please note that this is not a product fault, and as such is not covered under warranty.

## CARE AND CLEANING

- 1) Periodic cleaning of your ceiling fan is the only maintenance required. Use a soft brush or lint free cloth to avoid scratching the paint finish. Please turn OFF electricity power when you do so.
- 2) Do not use water when cleaning your ceiling fan. It could damage the motor or the blades and create the possibility of an electrical shock.
- 3) The motor has a permanently lubricated ball bearing so there is no need to oil.

NOTE: Always turn OFF the power before attempting to clean your fan.

## TECHNICAL INFORMATION

Fan Size	Speed	Volts (V)	Amps (A)	Watts (W)	RPM	CFM	CFM/W	N.W. (lbs)	G.W. (lbs)	C.F.
48" LD-0003- 16/XXX/01	Extra-High	120	0.48	55.12W	230	4252.49	77.14	28.2	34.4	4.1
	Medium	120	0.40	28.78W	175	2858.96	99.33	28.2	34.4	4.1
	High	120	0.28	12.38W	125	1594.14	128.76	28.2	34.4	4.1

These are approximate measurements. They do not include data for any lamps or fixtures attached to the ceiling fan.

## WARRANTY

2 year warranty covers the entire fan. Please refer to warranty card for the details.



## GRACIAS POR SU COMPRA

Gracias por adquirir este producto de calidad Fanaway. Para garantizar un funcionamiento correcto y seguro, lea y respete todas las instrucciones antes de usar el producto.

## MEDIDAS DE SEGURIDAD

### Lea y guarde estas instrucciones

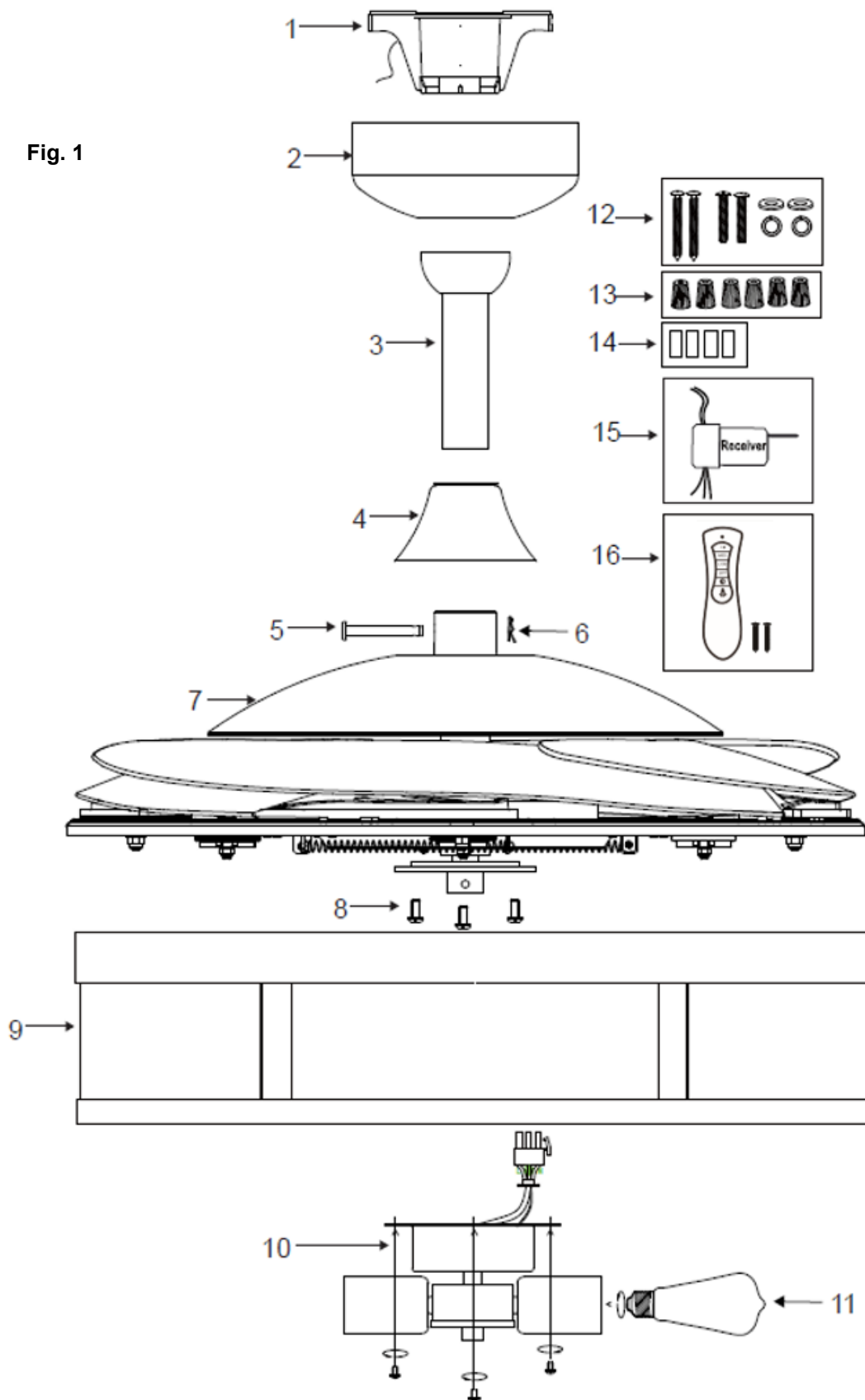
Este producto cumple con la norma 507 de UL.

1. ADVERTENCIA - Para evitar posibles descargas eléctricas, corte la corriente que va a la caja eléctrica desde el disyuntor o la caja de fusibles.
2. ADVERTENCIA - Para reducir el riesgo de incendio, descarga eléctrica o lesión, móntelo en una caja eléctrica clasificada como «Apropiada para sostener ventiladores de 35 lb (15,9 kg) o menos», y utilice los tornillos de montaje suministrados con la caja eléctrica y/o fíjelo directamente a la estructura del edificio. La mayoría de las cajas eléctricas utilizadas comúnmente para el soporte de alumbrados puede que no sean apropiadas para sostener el ventilador y deban ser reemplazadas. Consulte con un electricista cualificado en caso de duda.
3. ADVERTENCIA - Para reducir el riesgo de incendio o electrocución, evite utilizar el ventilador con un dispositivo semiconductor para el control de la velocidad.
4. ADVERTENCIA - Para reducir el riesgo de lesión, no doble los soportes de las aspas cuando los instale en el que equilibran las aspas, o cuando limpie el ventilador. No inserte objetos entre las aspas en rotación.
5. PRECAUCIÓN - Todo el cableado debe realizarse cumpliendo con el Código Eléctrico Nacional (ANSI/NFPA 70) y los reglamentos de electricidad locales. La instalación eléctrica debería efectuarla un electricista acreditado.
6. Para reducir el riesgo de lesiones a personas, el ventilador debe montarse dejando un espacio mínimo de 2,13 m desde el lado inferior de las aspas hasta el suelo.
7. Después de realizar las conexiones eléctricas, los conductores empalmados deben reorientarse hacia arriba y empujarse con cuidado hacia el interior de la caja eléctrica. Los cables deben quedar apartados, con el conductor de tierra y el conductor de tierra del dispositivo a un lado de la caja eléctrica.
8. Tras someterlo a una serie de pruebas, se ha constatado que este aparato cumple los límites exigidos para dispositivos digitales pertenecientes a la Categoría B, según lo establecido en la sección 15 de la legislación de la FCC. Estos límites están diseñados para proporcionar una protección razonable contra interferencias en instalaciones residenciales. Este aparato genera, usa y puede irradiar energía en forma de radiofrecuencia. En caso de no ser instalado y utilizado de acuerdo con las instrucciones, podría causar interferencias en las comunicaciones de radio.

**LISTA DE PIEZAS**

Desembale su ventilador de techo e identifique perfectamente sus componentes. Consulte la Fig. 1.

Fig. 1

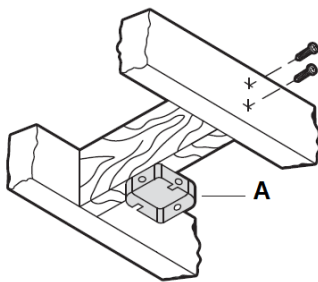


1	Soporte mural x 1	11	Bombilla x 3
2	Florón x 1	12	• Tornillo para madera x 2
3	Tija con junta esférica x 1		• Tornillo para metal x 2
4	Tapa de perno y pasador x 1		• Arandela plana x 2
5	Perno x 1		• Arandela de resorte x 2
6	Pasador x 1	13	Tuerca de alambre x 6
7	Unidad del ventilador x 1	14	Cinta de equilibrado x 4
8	Tornillo para base de la lámpara x 3	15	Receptor x 1
9	Pantalla de lámpara x 1	16	Mando a distancia x 1 set
10	Kit de luz x 1		

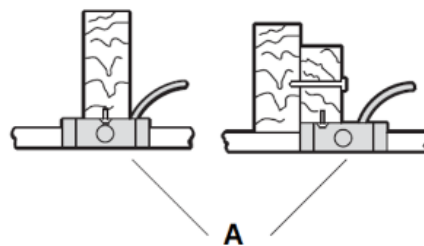
## INSTALACIÓN DEL SOPORTE MURAL

Si no hay una caja eléctrica ya instalada, instale una siguiendo estas instrucciones:

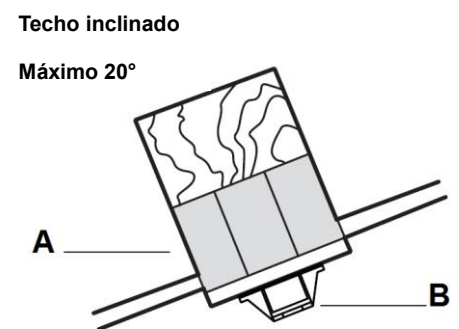
- Corte la corriente quitando los fusibles o bajando los disyuntores.
- Asegure la caja eléctrica (A) (no incluida) directamente a la estructura del edificio. Utilice los elementos y materiales de fijación apropiados (no incluidos). La caja eléctrica y su apuntalamiento deben ser capaces de soportar el peso del ventilador en movimiento (15,9 kg como mínimo). No utilice una caja eléctrica de plástico.
- Las imágenes más abajo muestran tres maneras diferentes de montar la caja eléctrica (A) (no incluida).



Img. 2



Img. 3



Img. 4

Este ventilador con sistema colgante puede ser instalado en un techo con una inclinación máxima de 20 grados. **Img. 4**

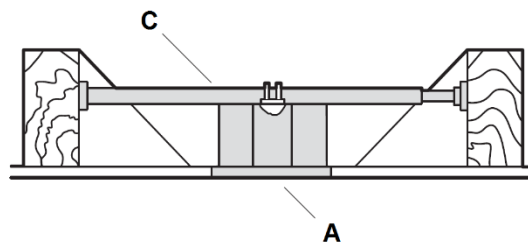
NOTA: Si está instalando el ventilador en un techo inclinado, puede que sea necesario utilizar una tija más larga para mantener el espacio necesario entre el extremo del aspa y el techo.

NOTA: El ventilador de techo debe instalarse en un lugar donde los extremos de las aspas queden a

300 mm como mínimo de las paredes y otros objetos.

NOTA: Para la instalación en techos inclinados, la abertura del soporte del ventilador (B) debe apuntar hacia el pico del techo.

Para colgar su ventilador donde ya haya un elemento de instalación pero sin vigas, puede que necesite instalar una barra para colgar (C) como la mostrada en la imagen 5. Asegúrese de que la barra de colgar que adquiera haya sido diseñada para usarse con ventiladores de techo.



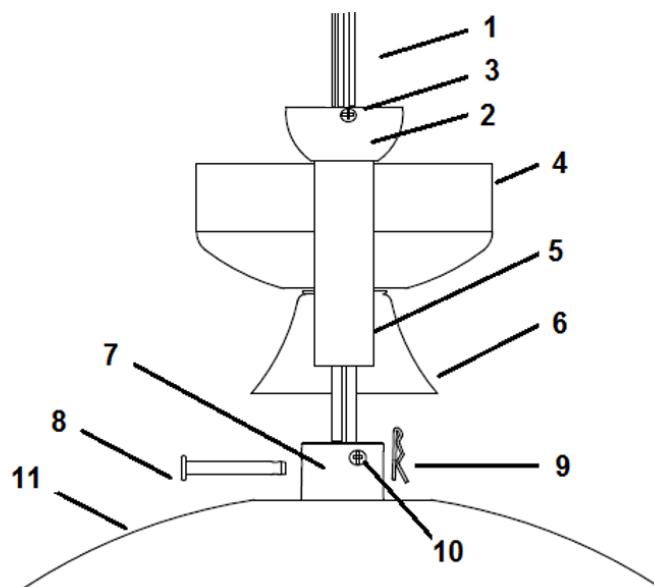
Img. 5

## INSTALACIÓN DEL VENTILADOR

### Instalación de la tija

- 1) Pase la tija (5) a través del florón (4) y de la tapa del perno y el pasador (6).
- 2) Retire la junta esférica (2) aflojando el tornillo de fijación (3), inserte los cables del motor a través de la tija y, a continuación, vuelva a fijar la junta esférica a la tija.
- 3) Inserte la tija en el acoplamiento (7), alinee los orificios del acoplamiento con los orificios de la tija e inserte el perno (8). A continuación, inserte el pasador (9) en el extremo del perno.
- 4) Por último, fije la tija y el acoplamiento apretando los dos tornillos de fijación (10) del acoplamiento. Img. 6

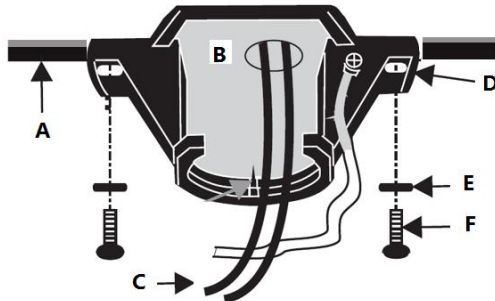
Img. 6



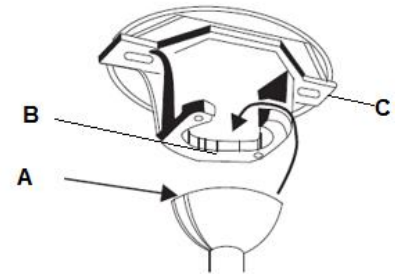


## CÓMO COLGAR EL VENTILADOR

Pase los cables de corriente (C) de la caja eléctrica del techo (B) por el centro del soporte mural del techo (D). Instale el soporte mural del techo (D) en la caja eléctrica (B) con los tornillos de montaje (F) incluidos con la caja eléctrica y las arandelas (E) incluidas con el ventilador. **Img. 7**



Img. 7



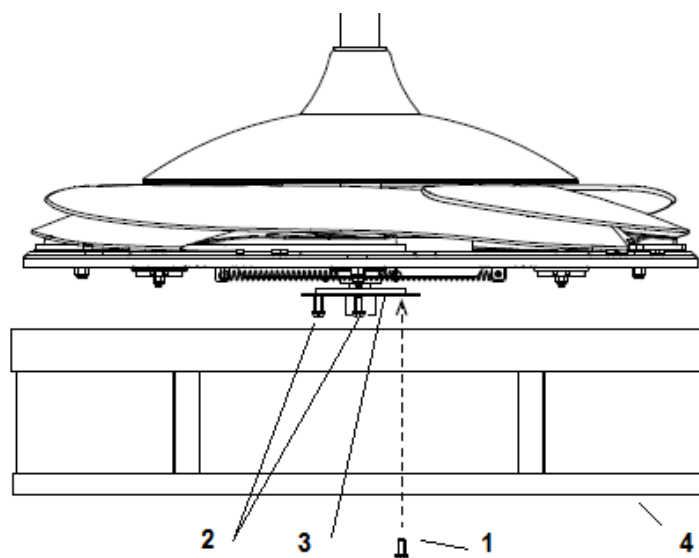
Img. 8

Levante el conjunto del ventilador y móntelo en el soporte mural. Asegúrese de que la ranura de registro (A) de la bola de la tija esté posicionada sobre el tope (B) del soporte mural (C) para que el ventilador no pueda girar cuando esté funcionando. **Img. 8**

## INSTALACIÓN DEL VENTILADOR

### Instalación del kit de luz

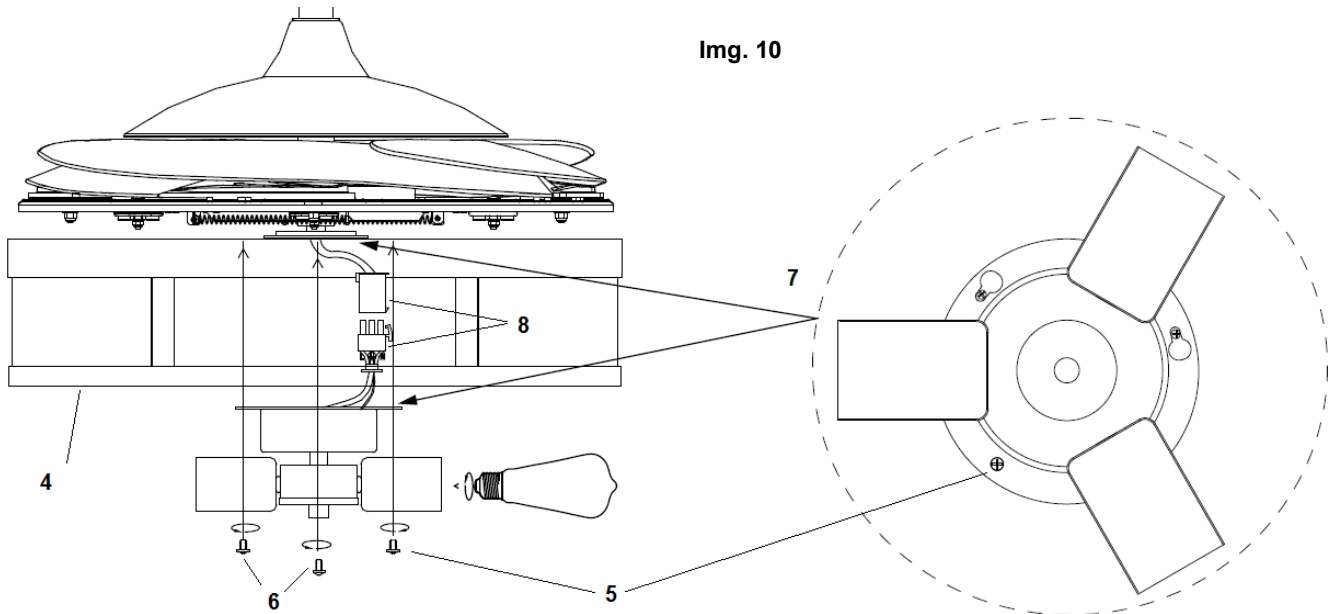
1. Afloje el tornillo (1) del soporte de la pantalla de la lámpara (3). Alinee los dos tornillos de ranura (2) con las ranuras de los orificios de la pantalla de la lámpara (4). **Img. 9**
2. Gire la pantalla de la lámpara en el sentido contrario de las agujas del reloj hasta que los tornillos de ranura estén firmemente fijados en el extremo de las ranuras.
3. Vuelva a fijar el tornillo 1 al soporte de la pantalla de la lámpara. Apriete los tres tornillos. No apriete en exceso.



Img. 9

4. Conecte las clavijas (8) juntas. **Img. 10**
5. Afloje el tornillo (5) de la pantalla de la lámpara (4). Alinee los dos tornillos de ranura (6) con las ranuras del kit de luz (7).
6. Gire el kit de luz en el sentido contrario de las agujas del reloj hasta que los tornillos de ranura estén firmemente fijados en el extremo de las ranuras.
7. Vuelva a fijar el tornillo 5 a la pantalla de la lámpara. Apriete los tres tornillos. No apriete en exceso.
8. Instale las bombillas en el portalámparas (bombillas incluidas).

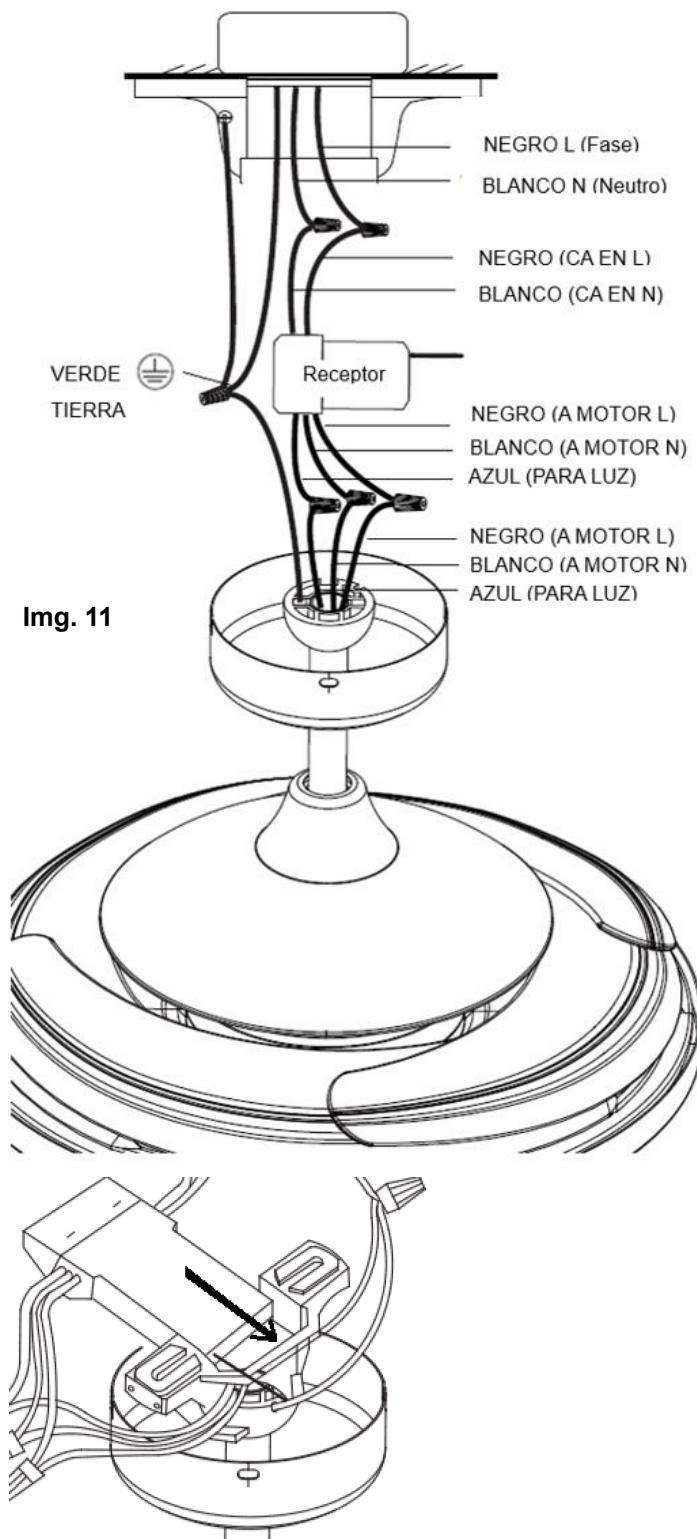
**Img. 10**



## DIAGRAMA DE CONEXIONES ELÉCTRICAS

**ADVERTENCIA:** Para evitar posibles descargas eléctricas, asegúrese de que la corriente esté cortada en el cuadro de distribución.

Siga los pasos siguientes para conectar el ventilador al cableado doméstico. Utilice las tuercas de conexión de alambre suministradas con su ventilador. Asegure los conectores con cinta aislante. Asegúrese de que no haya hilos de cable o conexiones sueltos.

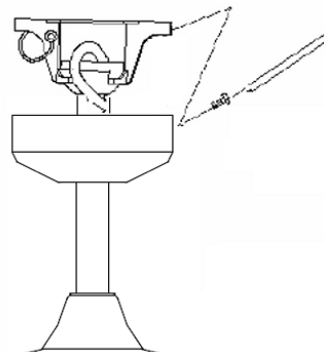


Img. 11

1. Conecte el cable de fase doméstico (negro) al cable de entrada del receptor (negro, CA EN L) como muestra la **Img. 11**.
2. Conecte el cable neutro doméstico (blanco) al cable de entrada del receptor (blanco, CA EN N).
3. Conecte el cable de tierra doméstico al cable de tierra del soporte del ventilador (verde) y al cable de tierra del cuerpo del ventilador.
4. Conecte el cable de salida del receptor (negro, A MOTOR L) al cable de entrada de fase del motor (negro, A MOTOR L).
5. Conecte el cable de salida del receptor (blanco, A MOTOR N) al cable de entrada de neutro del motor (blanco, A MOTOR N).
6. Conecte el cable de salida del receptor (azul, PARA LUZ) al cable de entrada de fase de la luz del ventilador (azul, PARA LUZ).
7. Tras conectar los cables, apártelos unos de otros de manera que los cables verdes y blancos queden a un lado de la caja eléctrica y los cables negro y azul queden al otro lado.
8. Oriente las tuercas de alambre hacia arriba y empuje los cables hacia el interior de la caja eléctrica.

### CÓMO FINALIZAR LA INSTALACIÓN

Deslice hacia arriba y alinee el florón con el soporte mural. Asegúrese de que todo el cableado eléctrico quede insertado dentro del florón y de que los cables no se dañen durante este paso. Fije el florón al soporte del colgador utilizando los tornillos suministrados.



Img. 12

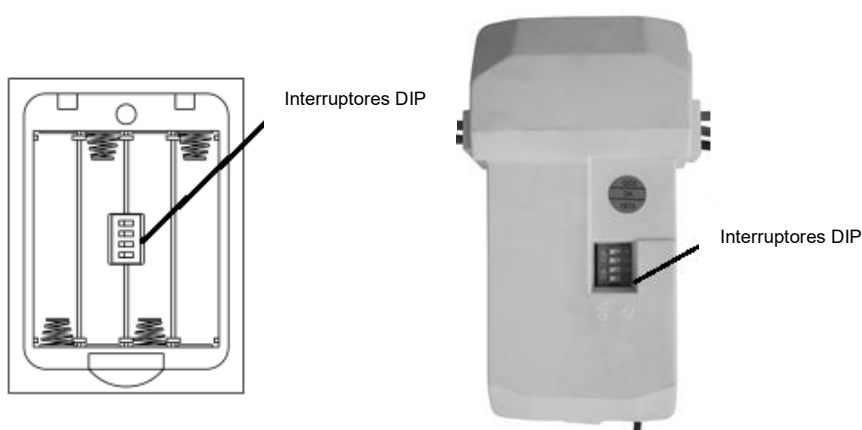
### MODO DE EMPLEO DEL VENTILADOR DE TECHO

#### COLOCACIÓN DE LOS INTERRUPTORES DIP

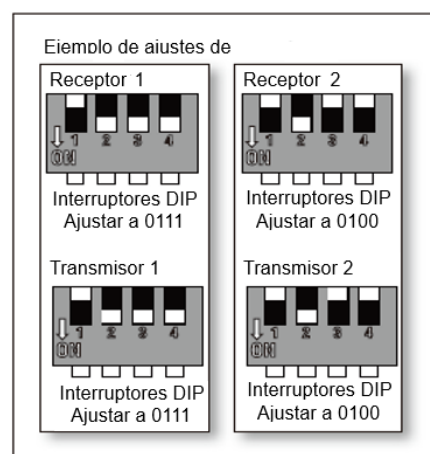
Cuando haya dos o más ventiladores próximos, tal vez desee ajustar el transmisor/receptor de cada ventilador con un código diferente, de manera que el funcionamiento de un ventilador no afecte al de otro.

Los interruptores DIP del receptor se encuentran ubicados sobre la superficie plana del receptor. Los interruptores DIP del transmisor se encuentran en el compartimento de la batería. **Img. 13.**

**NOTA:** Asegúrese de que se haya desconectado la alimentación a los cables de corriente antes de establecer el código.



Img. 13



Img. 14

Cambie la posición de los interruptores DIP en el transmisor remoto y el receptor. Asegúrese de que los interruptores DIP coincidan en el receptor remoto y en el transmisor. Si no coincidieran, el transmisor no funcionará. **Img. 14**

## **OPERACIÓN DEL CONTROL REMOTO:**

Antes de comenzar a utilizar el control remoto, lea las instrucciones de esta sección para familiarizarse con los botones y la función de cada botón.

**Indicador LED:** El indicador LED rojo en la parte superior del transmisor parpadeará cuando los botones están activos.

### **BOTONES DEL CONTROL REMOTO**

**ALTO:** Presione este botón para ajustar el ventilador a velocidad alta.

**MEDIO:** Presione este botón para ajustar el ventilador a velocidad media.

**BAJO:** Presione este botón para ajustar el ventilador a velocidad baja.

**APAGADO:** Presione este botón para apagar el ventilador.



### **BOTÓN DE CONTROL DE LA LUZ:**

Pulse este botón para apagar o encender la luz.

Mantenga pulsado el botón para acceder a las funciones de regulación de la luz.

Img. 15



### **INTERRUPTOR D/ON :**

El interruptor con el símbolo **D/ON** controla la función de regulación de las luces. Si las bombillas utilizadas no son regulables, utilice un bolígrafo de punta de bola o un destornillador pequeño para ajustar el interruptor a «**D**» y deshabilitar la función de regulación de la luz. Si utiliza bombillas halógenas regulables, ajuste el interruptor a «**ON**» para habilitar la función de regulación de la luz. **Img. 16**

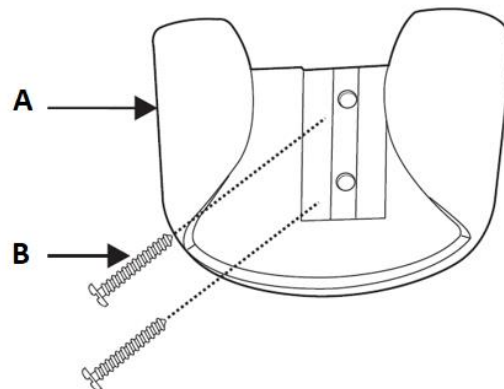
Img. 16



El control remoto tiene función de memoria. Si el ventilador o la luz se apaga con el interruptor de aislamiento, memorizará y recuperará la condición cuando se encienda nuevamente.

## INSTALACIÓN DEL PORTAMANDO

Instale el soporte en la pared con los dos tornillos suministrados y cuelgue el transmisor junto al soporte.



Img. 17

## DESPUÉS DE LA INSTALACIÓN

### BAMBOLEO:

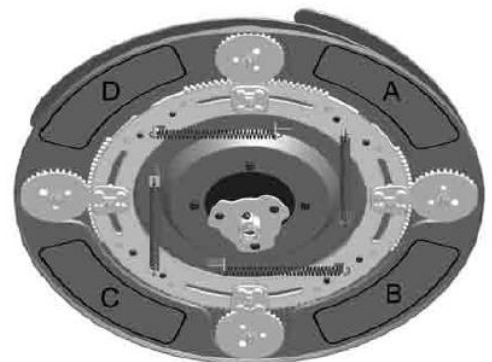
NOTA: Los ventiladores de techo tienden a moverse cuando están funcionando debido a que están montados sobre una arandela de goma. Si el ventilador está montado rígidamente al techo, se podrían generar unas vibraciones excesivas. Unos pocos centímetros de movimiento es bastante aceptable y NO indica que haya un problema.

**PARA REDUCIR EL BALANCEO DEL VENTILADOR:** Compruebe que todos los tornillos que fijan el soporte del ventilador y la tija esté bien apretados.

### **CÓMO EQUILIBRAR UN VENTILADOR DE TECHO QUE SE BALANCEA:**

Para su comodidad, se incluye un Kit de equilibrado. Siga este procedimiento cuando equilibre el ventilador:

- 1) Instale el ventilador sin el kit de iluminación antes de equilibrar el ventilador.
- 2) Defina la placa base en cuatro áreas (puntos A, B, C y D). Utilice un peso del kit de equilibrado para pegarlo ligeramente en el borde de la placa base (punto A). Si el bamboleo empeorara, retire el kit de equilibrado y péguelo ligeramente al lado opuesto (punto C). Si el balanceo empeorara, vaya al punto adyacente B o D. Si el bamboleo se redujera, péquelo de forma segura sobre el peso de dicha ubicación en la placa base.
- 3) Una vez equilibrado el ventilador, monte el kit de luz en la base de iluminación.



### **RUIDO:**

En los momentos de silencio (sobre todo por la noche), se pueden escuchar ruidos tenues ocasionalmente. Las ligeras fluctuaciones de la corriente y las señales de frecuencia eléctrica superpuestas en el control del agua caliente durante las horas no punta, puede causar cambios en el

ruido del motor del ventilador. Esto es algo normal. Por favor, permita un período de rodaje de 24 horas, transcurridos los cuales la mayoría de los ruidos asociados con su nuevo ventilador deberían desaparecer. Todos los motores eléctricos son audibles hasta cierto punto. Entienda que esto no es un fallo del producto y, por lo tanto, no está cubierto por la garantía.

## CUIDADO Y MANTENIMIENTO

- 1) La limpieza periódica de su ventilador de techo es el único mantenimiento que se requiere. Utilice un cepillo blando o un paño que no deje pelusa para no arañar el acabado de pintura. Por favor, corte la corriente cuando haga esto.
- 2) No utilice agua cuando limpie su ventilador de techo. Esto podría dañar el motor o las aspas y crear la posibilidad de una descarga eléctrica.
- 3) El motor tiene un rodamiento con lubricación permanente, por lo que no es necesario engrasarlo.

NOTA: Corte siempre la corriente antes de limpiar el ventilador.

## INFORMACIÓN TÉCNICA

Dimensiones del ventilador	Velocidad	Voltios (V)	Amperios (A)	Vatios (W)	RPM	CFM	CFM/W	Peso neto (lb)	Peso bruto (lb)	C.F.
48" LD-0003-16/XXX/01	Extra alta	120	0,48	55,12 W	230	4252,49	77,14	28,2	34,4	4,1
	Moderadamente alta	120	0,40	28,78 W	175	2858,96	99,33	28,2	34,4	4,1
	Baja	120	0,28	12,38 W	125	1594,14	128,76	28,2	34,4	4,1

Éstas son medidas aproximadas. No incluyen datos de ninguna de las lámparas o luces que van instaladas al ventilador de techo.

## GARANTÍA

El ventilador en su conjunto está cubierto por una garantía de 2 años. Por favor, consulte la tarjeta de garantía para más información.