

# ASSEMBLY INSTRUCTIONS

# MADISONPARK®

Description: Harper Upholstery Headboard

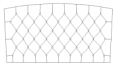


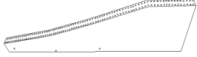
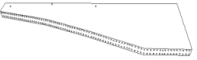
### Important safety instructions:

- Please read carefully all instructions before assembling.
- For your safety and ease, assembly by two or more adults is recommended.
- Keep instructions for future use.













### Pre-assembly:

- Do not discard any content until assembly is completed to avoid accidentally discarding small parts or hardware.
- Remove all parts and hardware from box along with any protective packaging.

### Parts List

Item	Description	DRAWING	QTY
P1	Headboard		1
P2	Left Support Leg with 3 Mounting Brackets (With the sticker "Left" on the bottom)		1
P3	Right Support Leg with 3 Mounting Brackets (With the sticker "Right" on the bottom)		1
P4	Left Wing		1
P5	Right Wing		1

### Hardware List

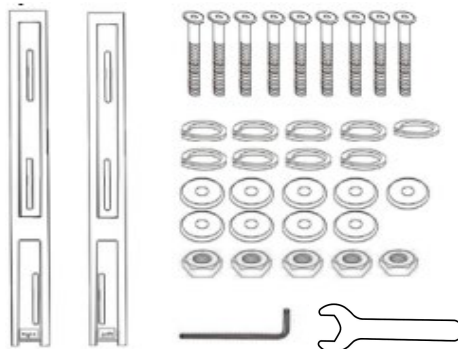
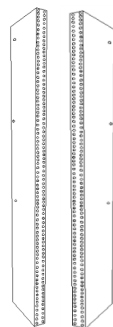
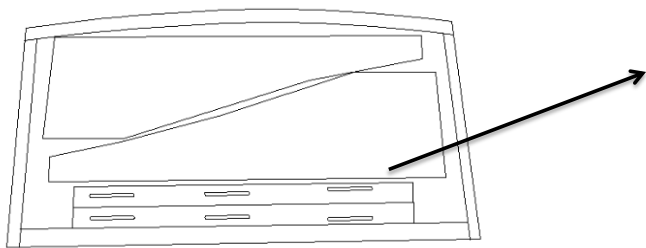
Item	Description	DRAWING	QTY	
H1	Bolt M8X25mm		5	<b>Pack A (Used to assemble the headboard)</b>
H2	Spring Washer		5	
H3	Flat Washer		5	
H4	Allen Key		1	
H5	Bolt M8X25mm		4	<b>Pack B (assemble the headboard to the bed frame)</b>
H6	Spring Washer		4	
H7	Flat Washer		4	
H8	Nut Cap		4	
H9	Solid Wrench		1	
H10	Bolt M8X50mm		7	<b>Pack C (assemble the wings to the headboard)</b>
H11	Spring Washer Ring		7	
H12	Small Flat Washer Ring		7	

### DISCLAIMER:

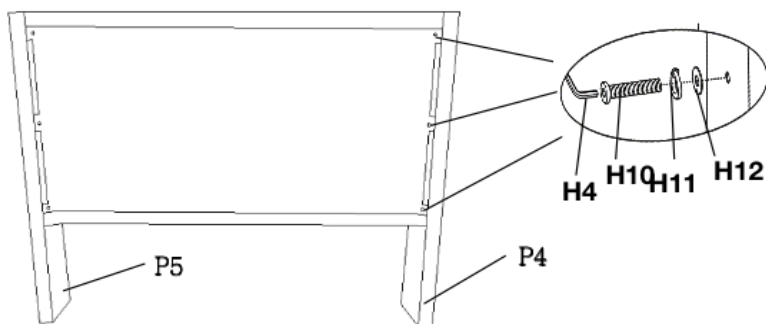
WHEN PROPERLY ASSEMBLED, THIS ITEM IS SAFE FOR INTENDED USE. SELLER IS NOT LIABLE FOR ANY DAMAGES RESULTING FROM ITEM BEING IMPROPERLY ASSEMBLED AFTER PURCHASE.

**Assembly Procedures:**

Step 1. Take out Legs and hardware under the headboard



Step 2.



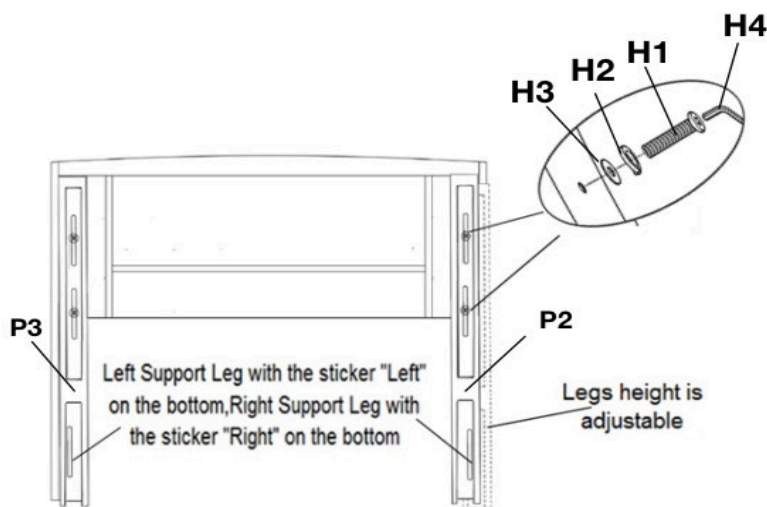
**Put the Headboard onto a flat surface.**

Align the mounting position on Headboard to the mounting position on Left Wing(P4).

Then, **lock the mounting positions by using Flat washer (H12), Spring washer(H11), bolt(H10), Then tighten the bolts with allen wrench (H4) .**

Repeat the same steps to install the Right Wing(P5).

Step 3.



**Put the Headboard onto a flat surface.**

Align the mounting position on Headboard to the mounting position on Left Support Leg(P2).

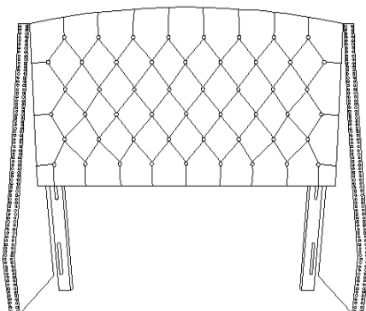
Then, **lock the top and the middle mounting positions by Flat washer (H3), Spring washer(H2), bolt(H1), Then tighten the bolts with allen wrench (H4) .**

Repeat the same steps to install the Right Support Leg(P3).

At this point of assembly, **DO NOT overfasten the connections.**

The final height of the Headboard may be adjusted to your own need.

Step 4. Headboard is ready to be assembled to bed frame using Pack B Parts.



**ADDITIONAL NOTE ABOUT SAFETY:**

**BOLTS MAY LOOSEN DURING NORMAL EVERYDAY USE.**

**THEY SHOULD BE INSPECTED AT LEAST EVERY 3 MONTHS AND RE-TIGHTENED AS NEEDED TO PREVENT DAMAGE OR INJURY, AND ENSURE STABILITY.**

**Thank you for your purchase**