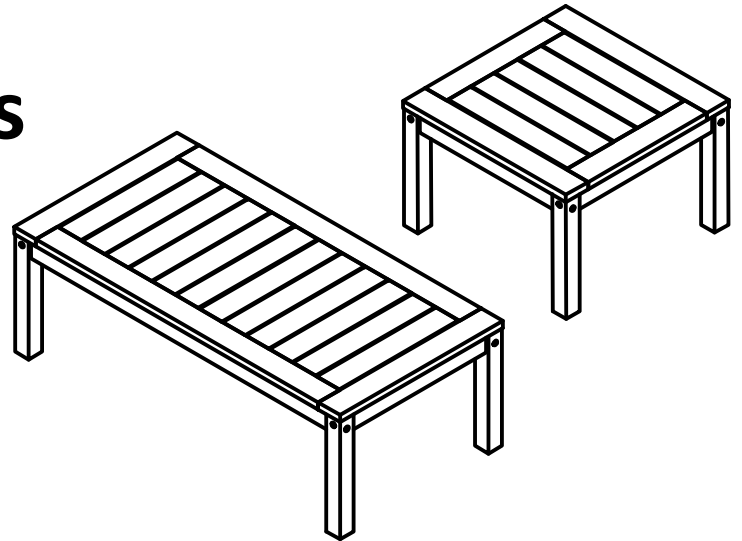


# Bespoke Collection

# Deep Seating Tables

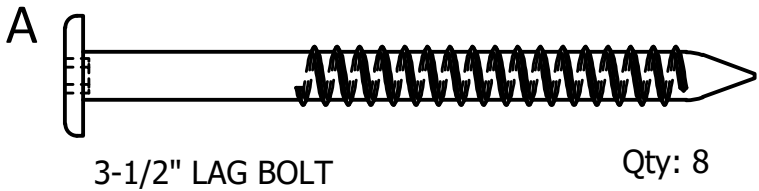
## Assembly Guide



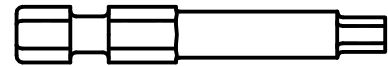
### IMPORTANT!

DO NOT fully tighten the bolts until all bolts are started.  
Once all bolts are inserted, go back & tighten all the bolts.

### HARDWARE INCLUDED



### TOOLS INCLUDED

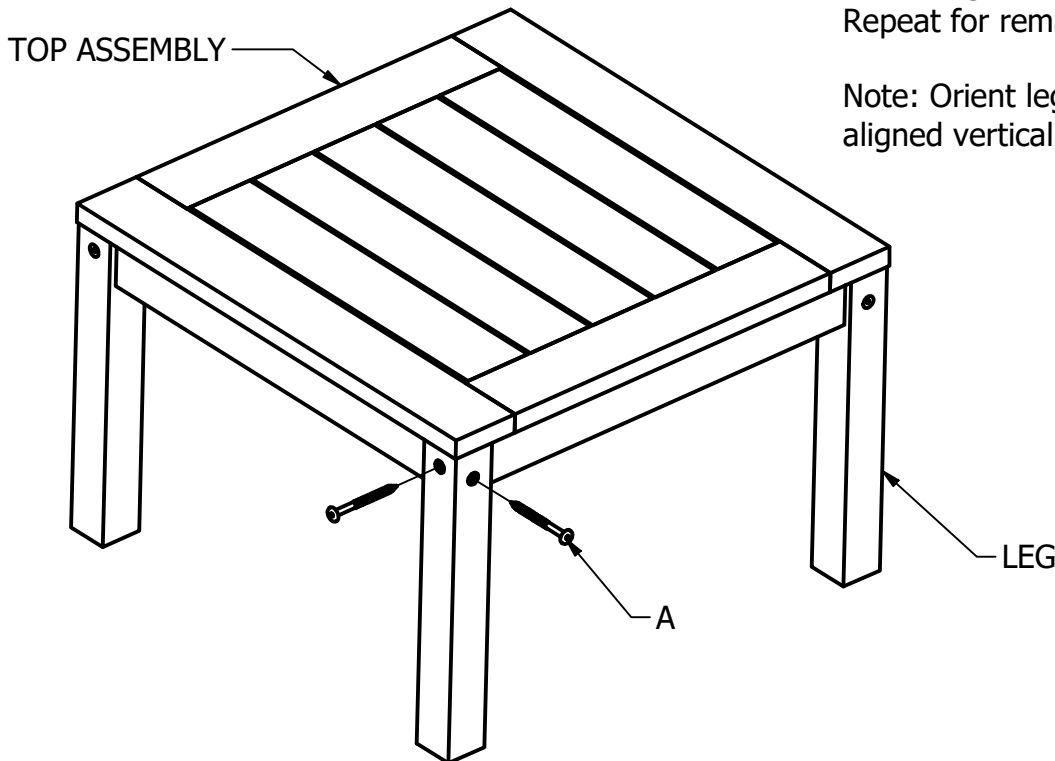


5/32" HEX BIT

### CUSTOMER SUPPLIED TOOLS

Cordless screwdriver/drill OR  
Multi-bit handle for the Torx Bit

### STEP 1



Attach leg to table top using (2) A bolts.  
Repeat for remaining (3) legs.

Note: Orient legs to ensure bolts are  
aligned vertically on each side of the table.