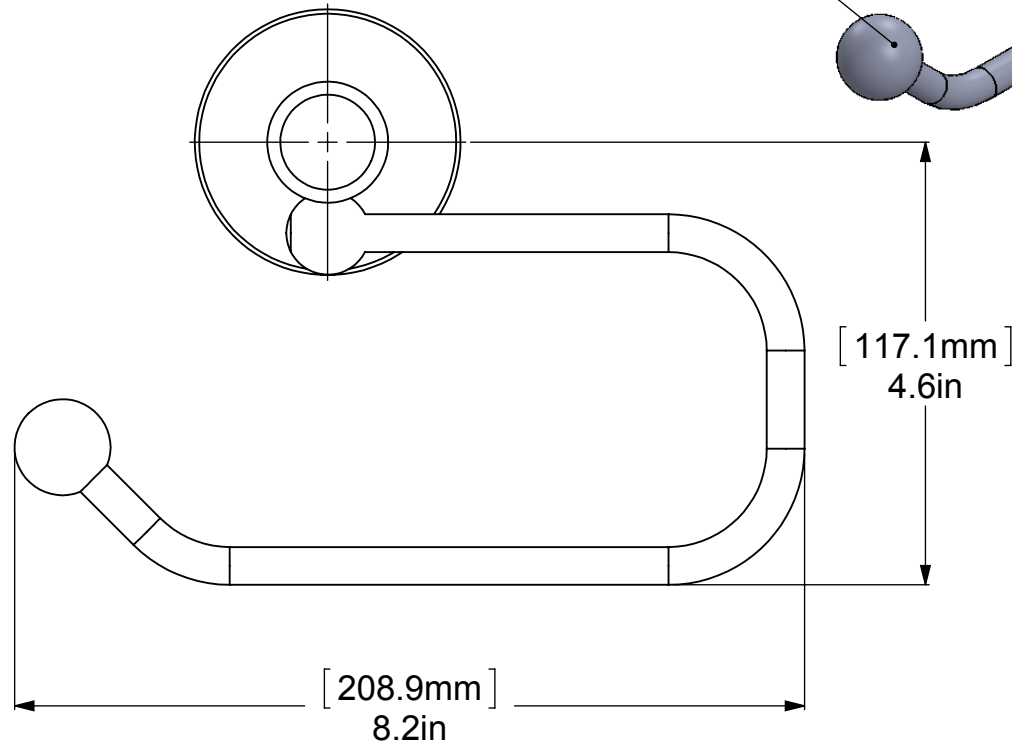
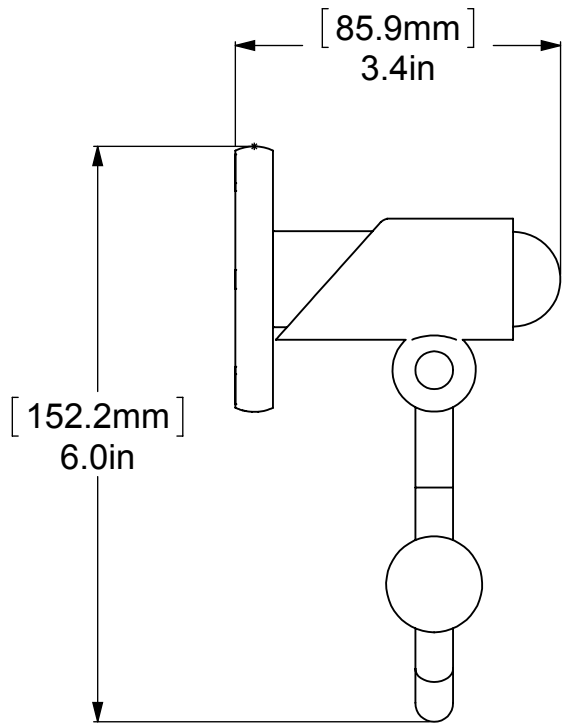
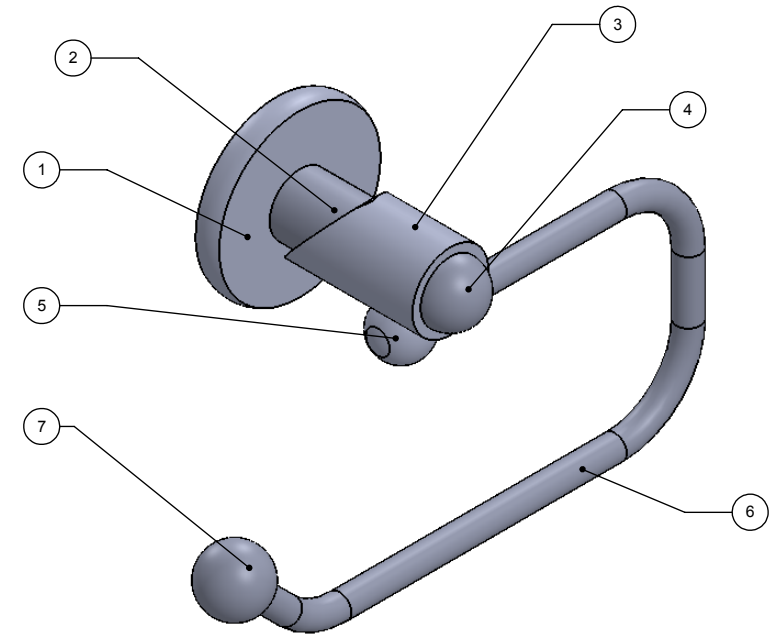


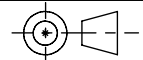
ITEM NO.	P/N	Description	QTY.
1	BPRD	Base	1
2	TU1-2	TUBE	1
3	BKSVT	HUB	1
4	CHAR-1	CAP	1
5	BLTSR-1	CONNECTOR	1
6	HKETS-38	TUBE PIP	1
7	BL1T-1	END BALL	1



UNLESS OTHERWISE STATED

.X	$\pm .3\text{mm}$
.XX	$\pm .15\text{mm}$
.XXX	$\pm .008\text{mm}$

COPYRIGHT © Allied Brass 2016



THIRD ANGLE PROJECTION

DRAWN	2-12-2016	I.M
CHECKED	2-12-2016	P.D
APPROVED	2-12-2016	R.A

MATERIAL:	BRASS		FINISH	TBD
DESCRIPTION:	TISSUE HOLDER		QUANTITY	TBD
		DRAWING No.		REV
		SH-24E		0
SCALE	1:1.5	SHEET: 01	A4	