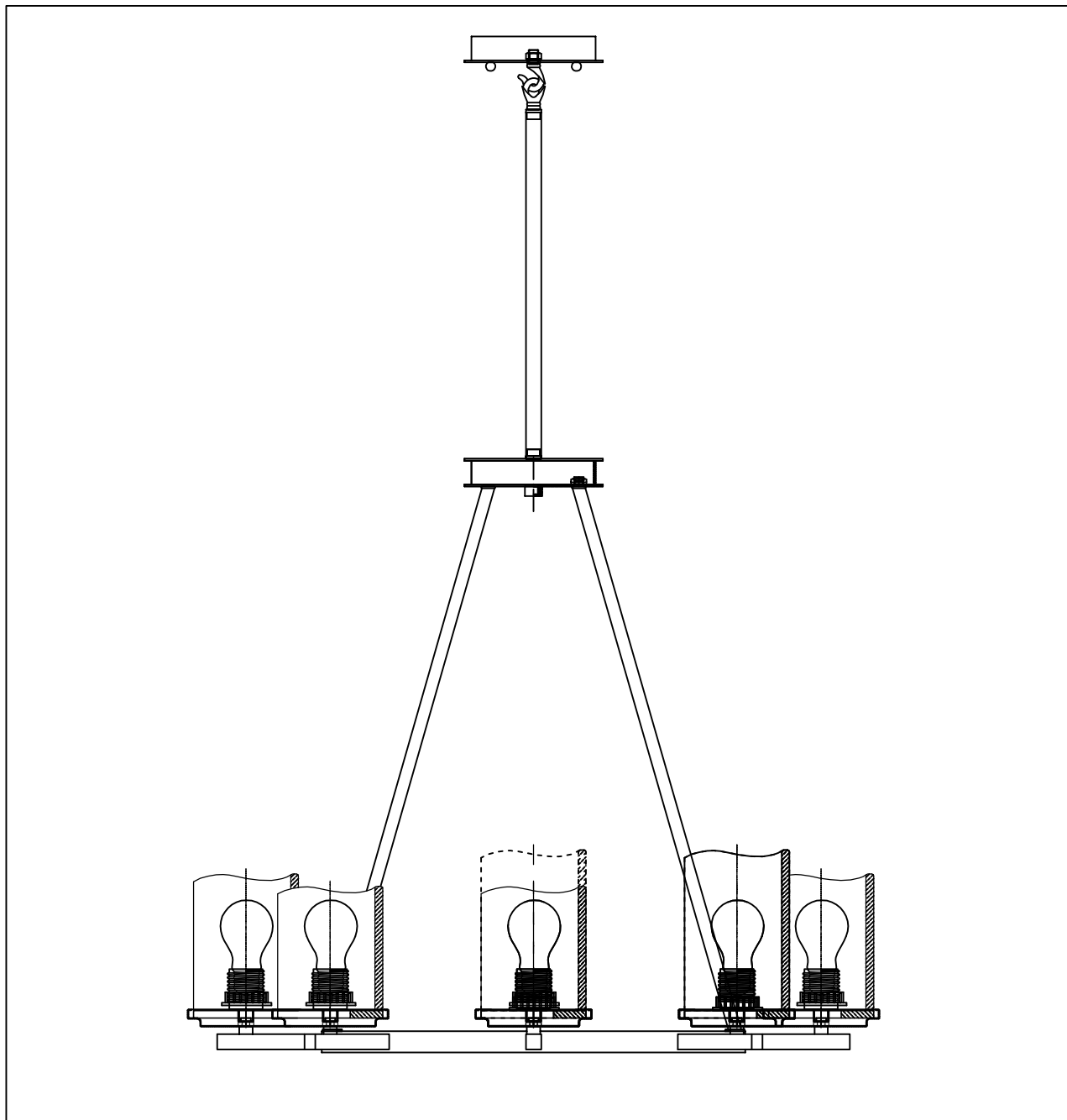




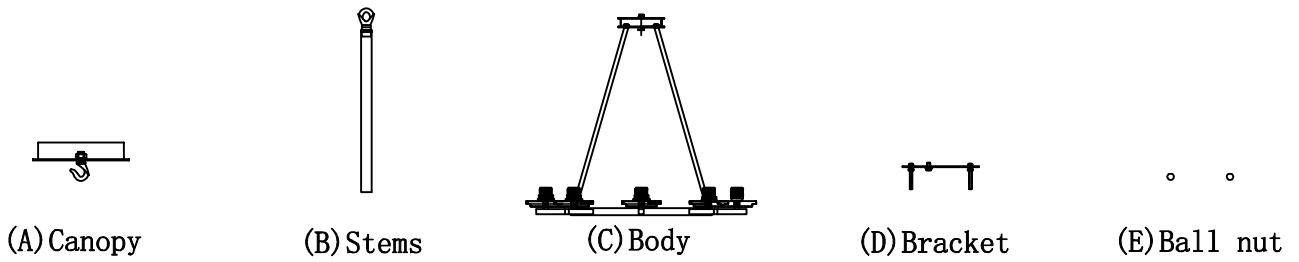
PRODUCT NAME: Luminous
ITEM NUMBER: 21145

Please consult your electrician for Hang fixture and wiring.

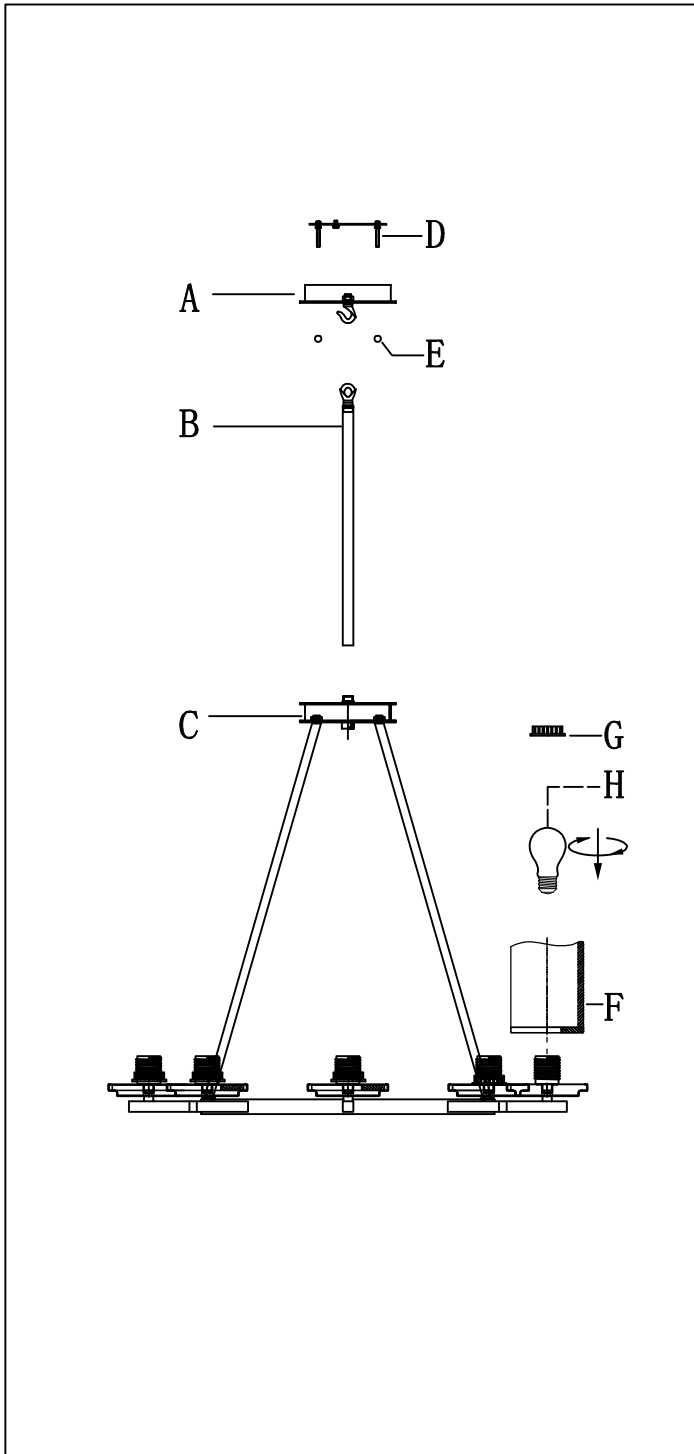


Bulb(not included) :8*MB 60W

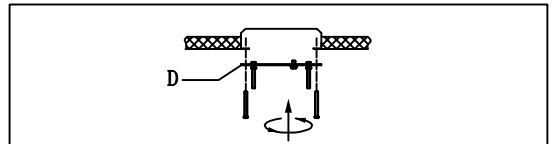
IMPORTANT: Turn off power at the main fuse or circuit breaker box before starting installation



Locate all hardware & components before discarding packaging

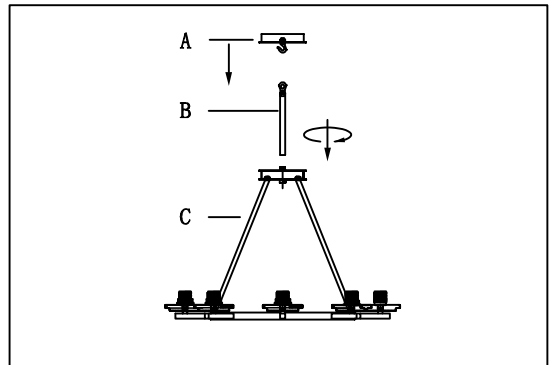


1.)



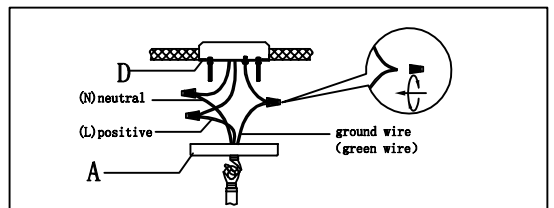
Step. 1: Remove mounting bracket(D) from fixture and install to electrical box.

2.)



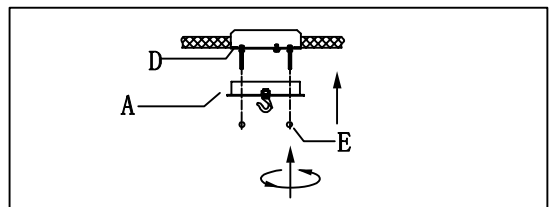
Step. 2: Run wire through stems(B) and combine stem lengths to meet desired mounting height.

3.)



Step. 3: Wire fixture to wires in outlet box. Copper/Green wire is for Ground.

4.)

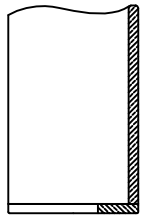


Step. 4: Install fixture to bracket and tighten ball nuts (E) on the canopy to secure.

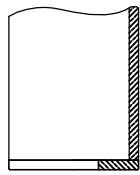
Cleaning & Care:

Clean with soft cloth and a mild detergent. Do not use abrasive cleaner.

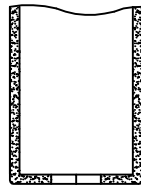
IMPORTANT: Turn off power at the main fuse or circuit breaker box before starting installation



(F-A) Stone shade



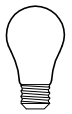
(F-B) Stone shade



(F-C) Stone shade

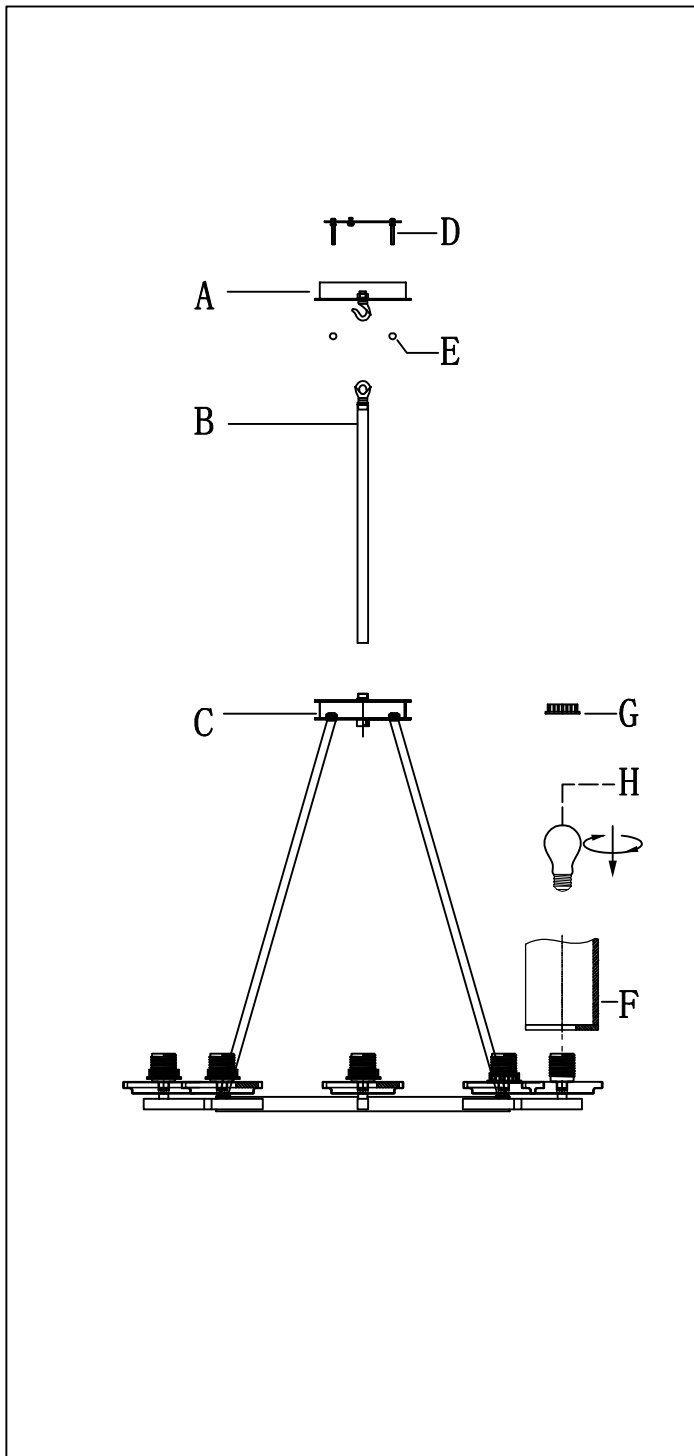


(G) E27 Socket Ring

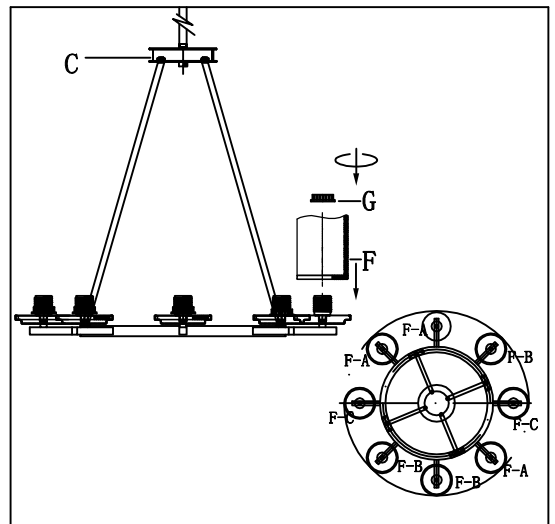


(H) Bulb

Locate all hardware & components before discarding packaging

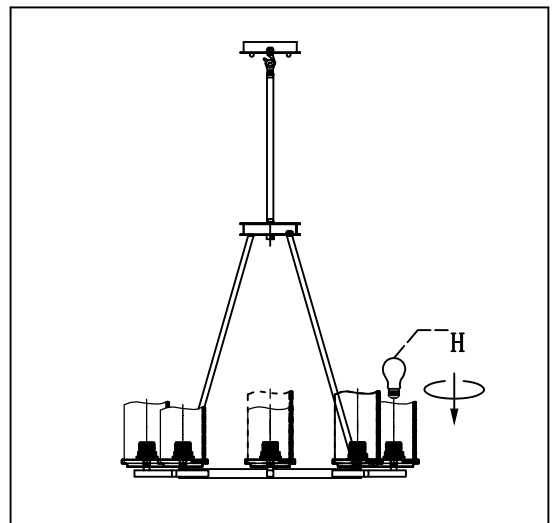


5.)



Step. 5: Hang the Stone shade (F) on lamp body (C)

6.)



Step. 6: Install the bulb

Cleaning & Care:

Clean with soft cloth and a mild detergent.
Do not use abrasive cleaner.