

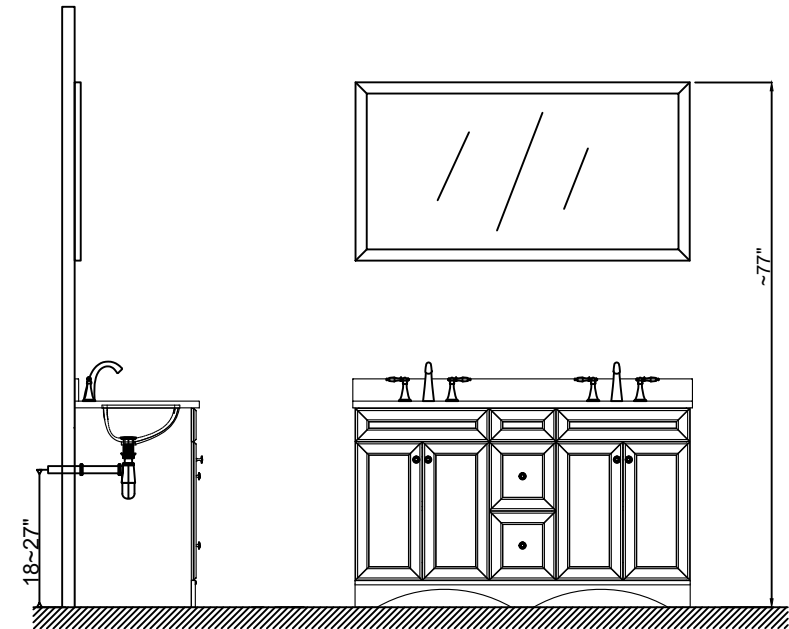
Prior to installation please check received items against the Packing List Please report any missing items

**Call: 888-257-3857**

**Email: [service@casainc.com](mailto:service@casainc.com).**

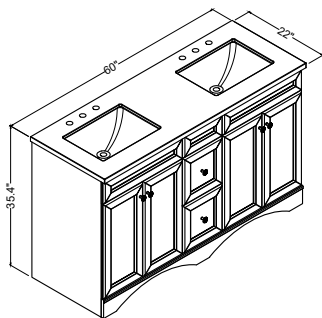
Protect all surfaces from sharp objects, high heat sources, direct prolonged sunlight and chemical hazards .

**Professional installation recommended !**

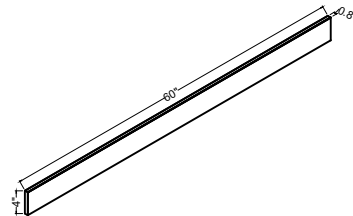


**PACKING LIST**

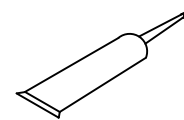
Main cabinet



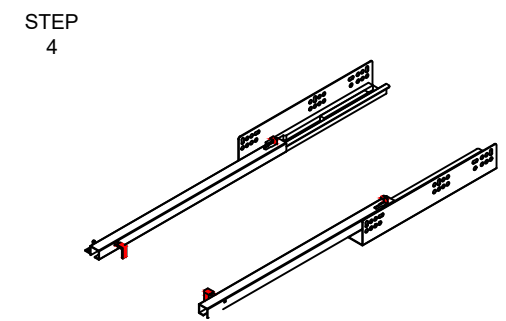
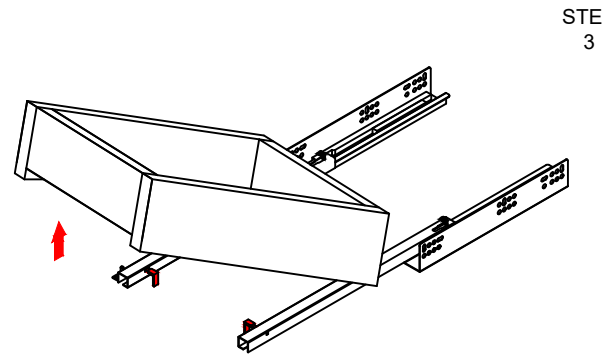
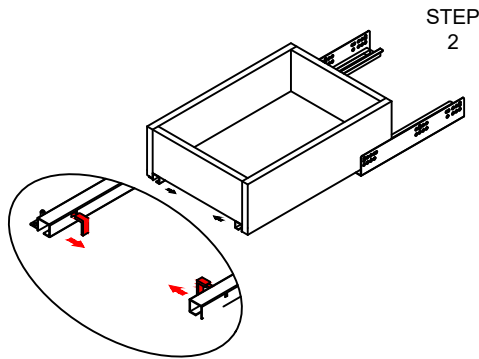
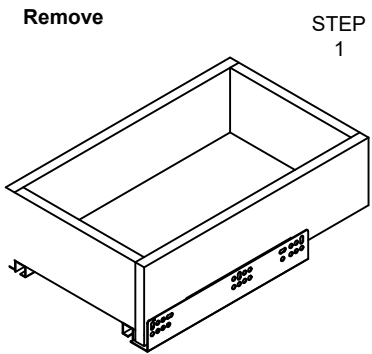
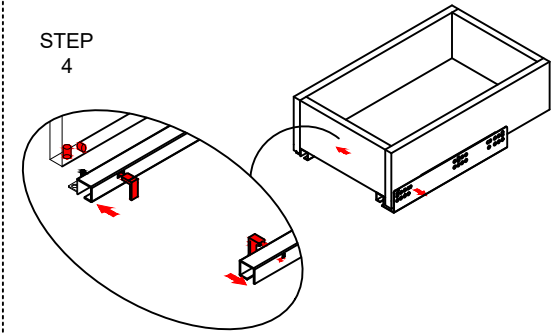
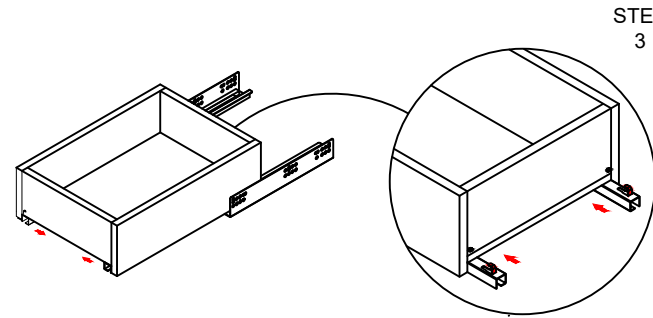
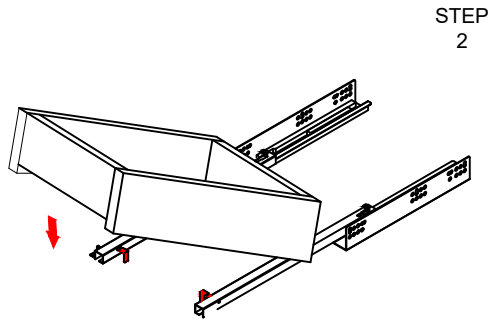
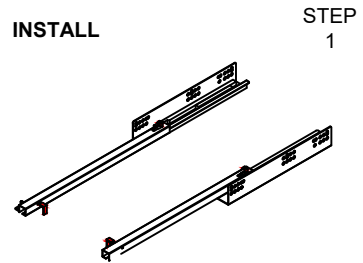
Backsplash



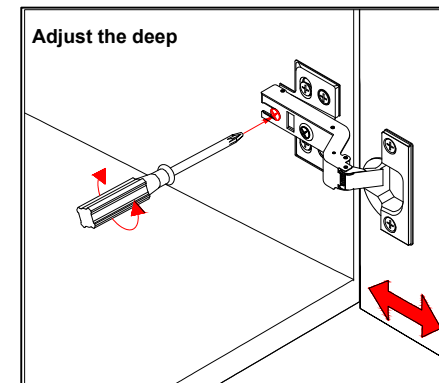
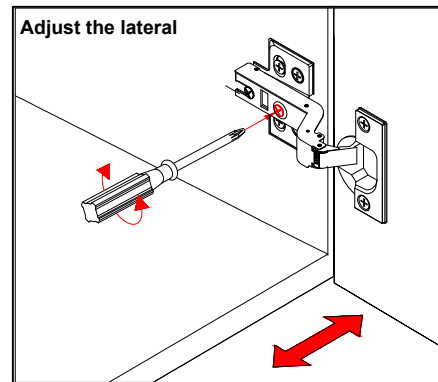
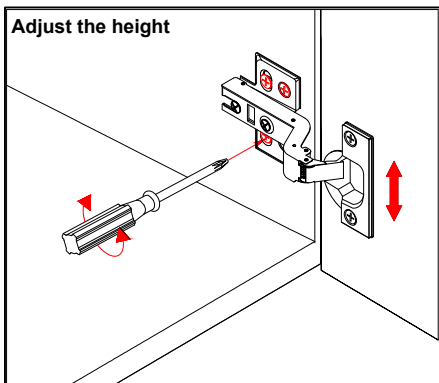
Touch Up paint



**Adjust Slider For Drawer**



**INSTALLATION AND ADJUSTION OF HINGE**



Install Backsplash

