

Thank you for choosing a **PALACE IMPORTS** product.
Your total satisfaction is our #1 priority.

Customer Service and Warranty Information

- Should you have a problem or need more information concerning the warranty, **do not contact the place of purchase. Please email our customer service department for immediate assistance at info@palaceimportsinc.com or go to www.palaceimportsinc.com**
- PALACE IMPORTS products are warranted to the original purchaser against defects in material or workmanship in the furniture. Defects as mentioned in this warranty refer to any imperfections which may impair the use of the product. Our warranty is expressly limited to the replacement of furniture parts and components for one year following the date of purchase.
- PALACE IMPORTS will replace any part that is defective. This warranty applies under conditions of normal use. Our furniture products are not intended for outdoor use. The warranty does not cover defects caused by improper assembly or disassembly, defects occurring after purchase due to product modifications, intentional damage, accident, misuse, exposure to the elements and labor or assembly costs.
- PALACE IMPORTS reserves the right to request proof of purchase to document a warranty claim. In no event shall PALACE IMPORTS be liable for incidental or consequent damages resulting from the misuse of the product.

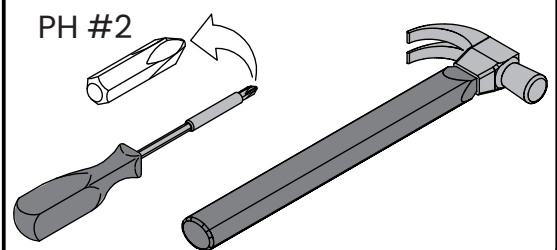
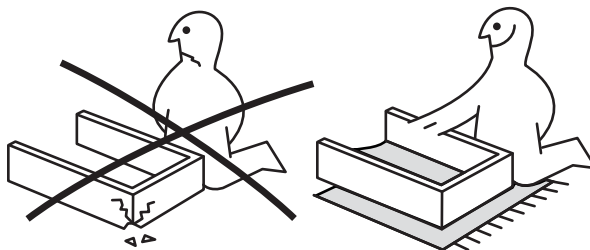
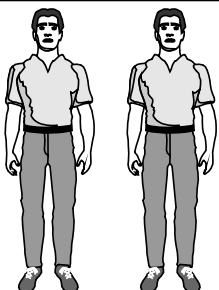
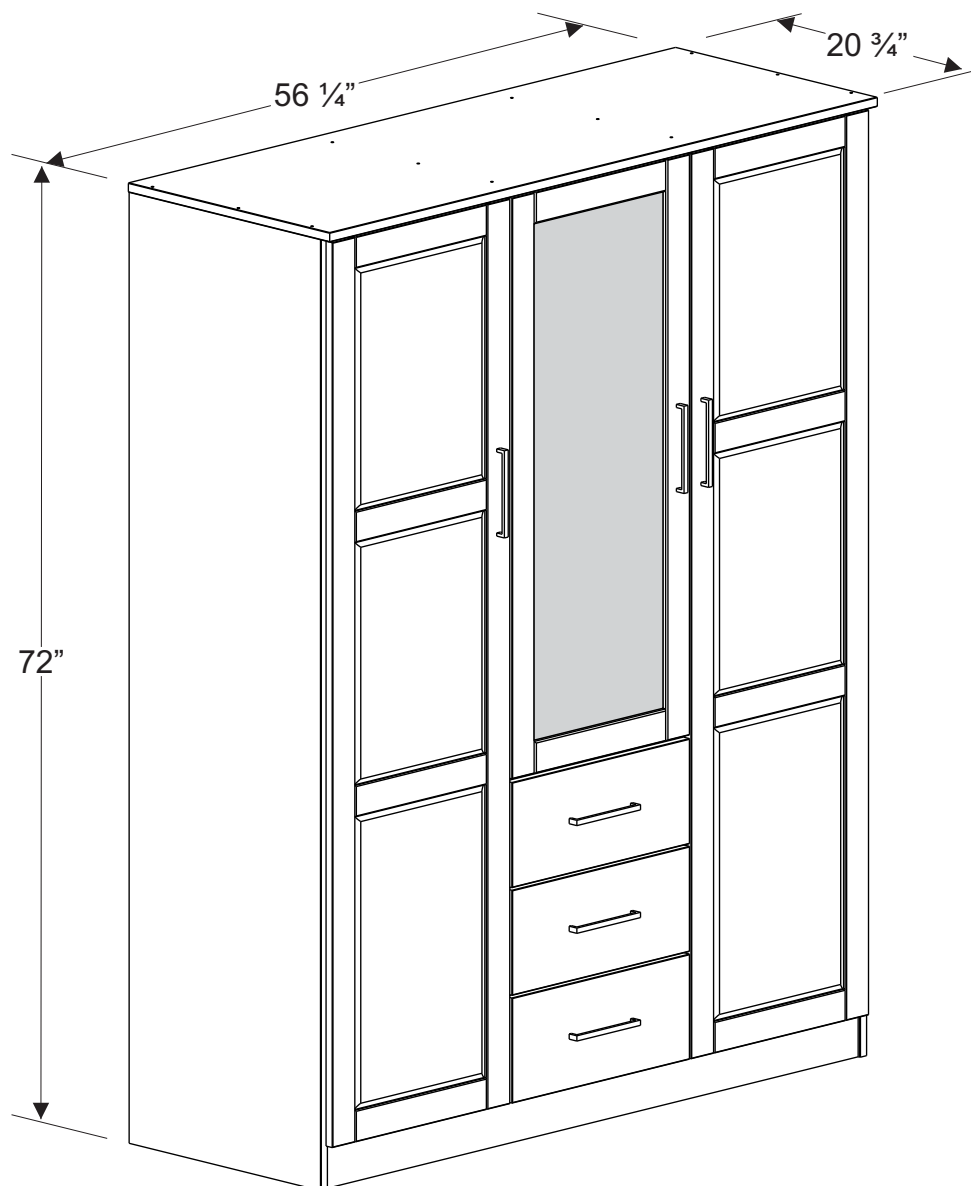


ASSEMBLY INSTRUCTIONS

COSMO 3-DOOR WARDROBE

WITH MIRROR AND 3-DRAWERS

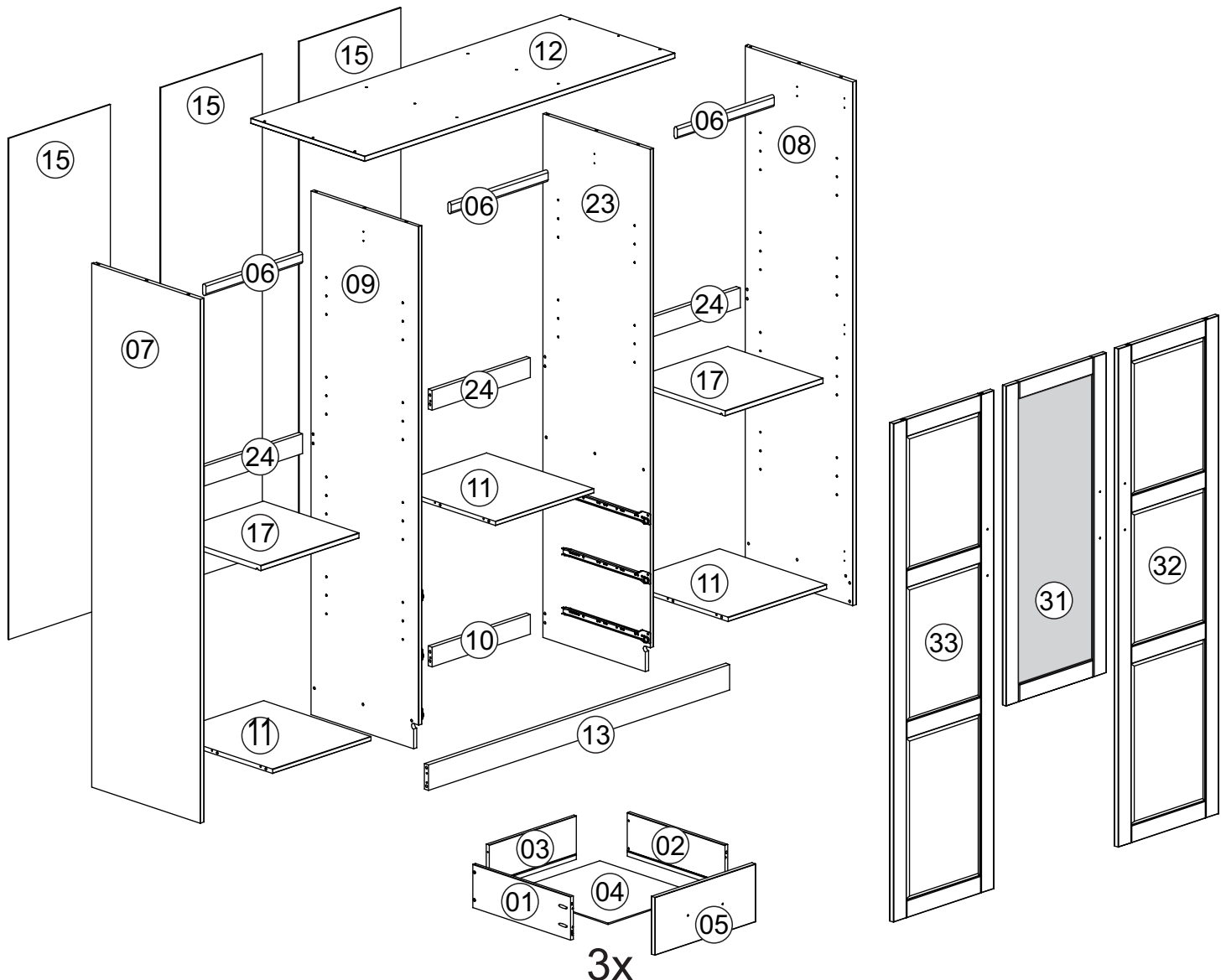
SKU 7113 - Mocha
SKU 7116 - Java




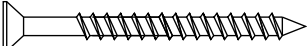
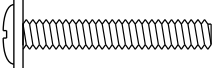



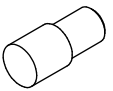
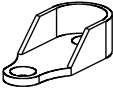

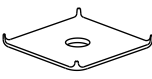
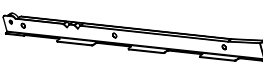
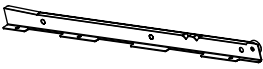
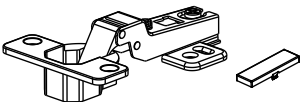
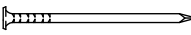
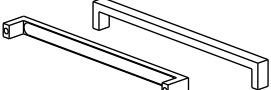
PRE-ASSEMBLY PREPARATION

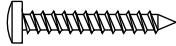
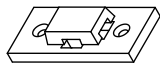

- Please check the contents before assembling. A full checklist of parts is provided below.
- If any parts are missing or damaged, please contact us at info@PalaceImportsInc.com
- Assemble on a flat, smooth surface on top of a blanket.
- Use only low-speed power drill setting.
- Assemble as near as possible to the point of use.
- The hardware pack contains SMALL ITEMS which should be KEPT AWAY FROM YOUNG CHILDREN.

PARTS LIST AND LAYOUT



SCREWS ARE SHOWN IN ACTUAL SIZE

A1	 4,0x30	54+2
A16	 4,0x40	12+1
A25	 M4x25	12+1
A42	 4,0x14	24+1
A44	 3,5x14	50+2
C2	 8,0x25	62+3
D4		08+1
D10		06
D16		02
D27		10+1
E17	 450mm - 17 3/4"	03
E18	 450mm - 17 3/4"	03
F10		09
G1	 10x10	58
H12		06

FURNITURE TIP-OVER PREVENTION KIT		
A8	 3,0x20	02+1
F8		02
F9		01

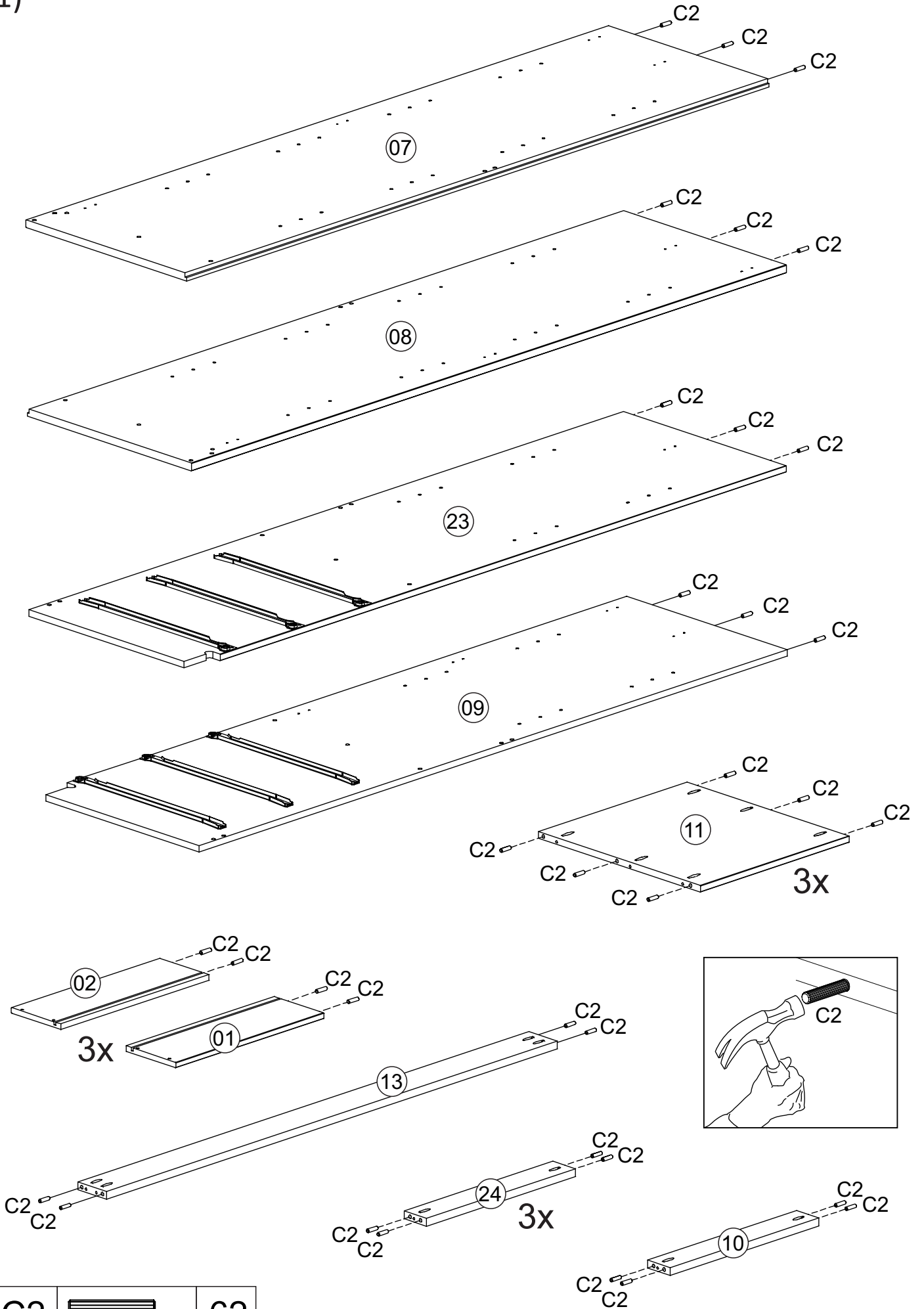
WARNING:
 **CHOKING HAZARD**
 - Small Parts-
 Not For Children Under 3 years.


WARNING

**FURNITURE TIP-OVER CAN
 RESULT IN SERIOUS INJURY OR
 DEATH**

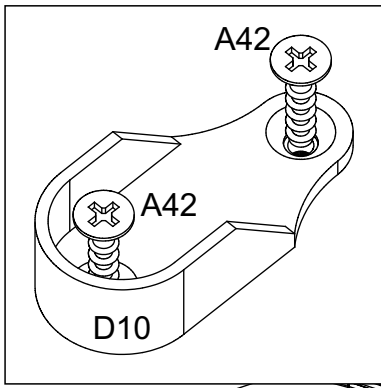
This wardrobe includes tip-over prevention hardware that **MUST BE ATTACHED TO THE WALL** per the assembly instructions.

01)

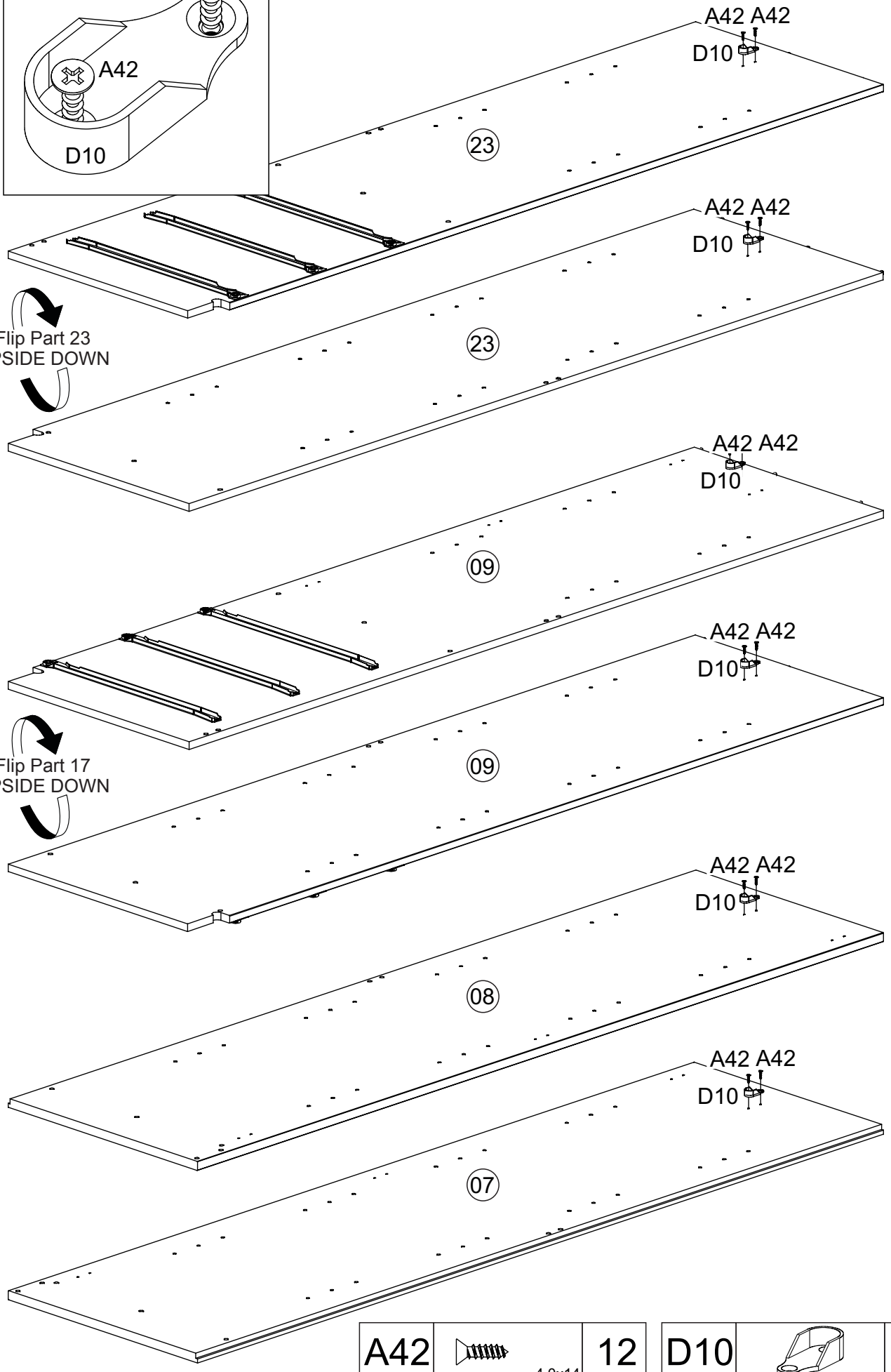




C2		62
	8,0x25	

02)

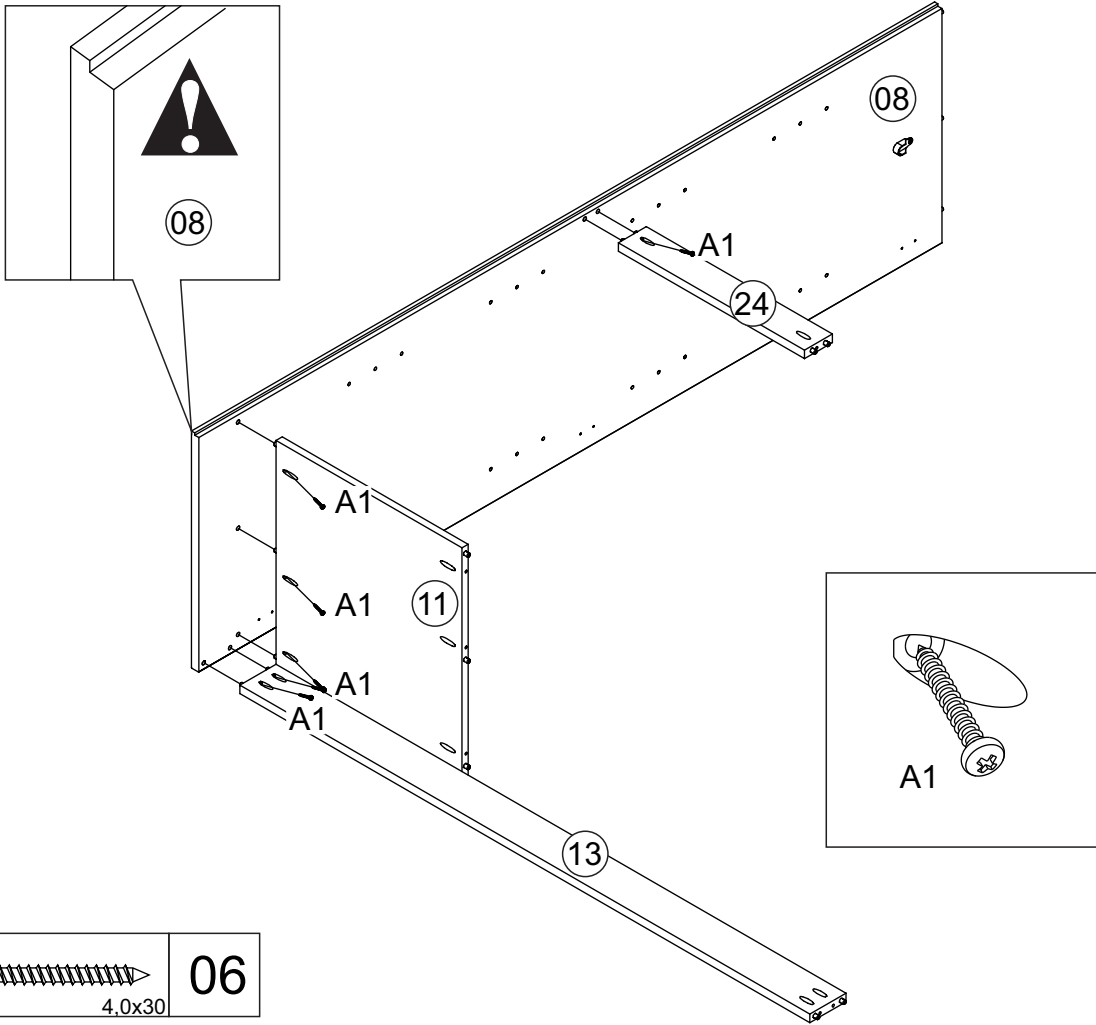


Flip Part 23
UPSIDE DOWN

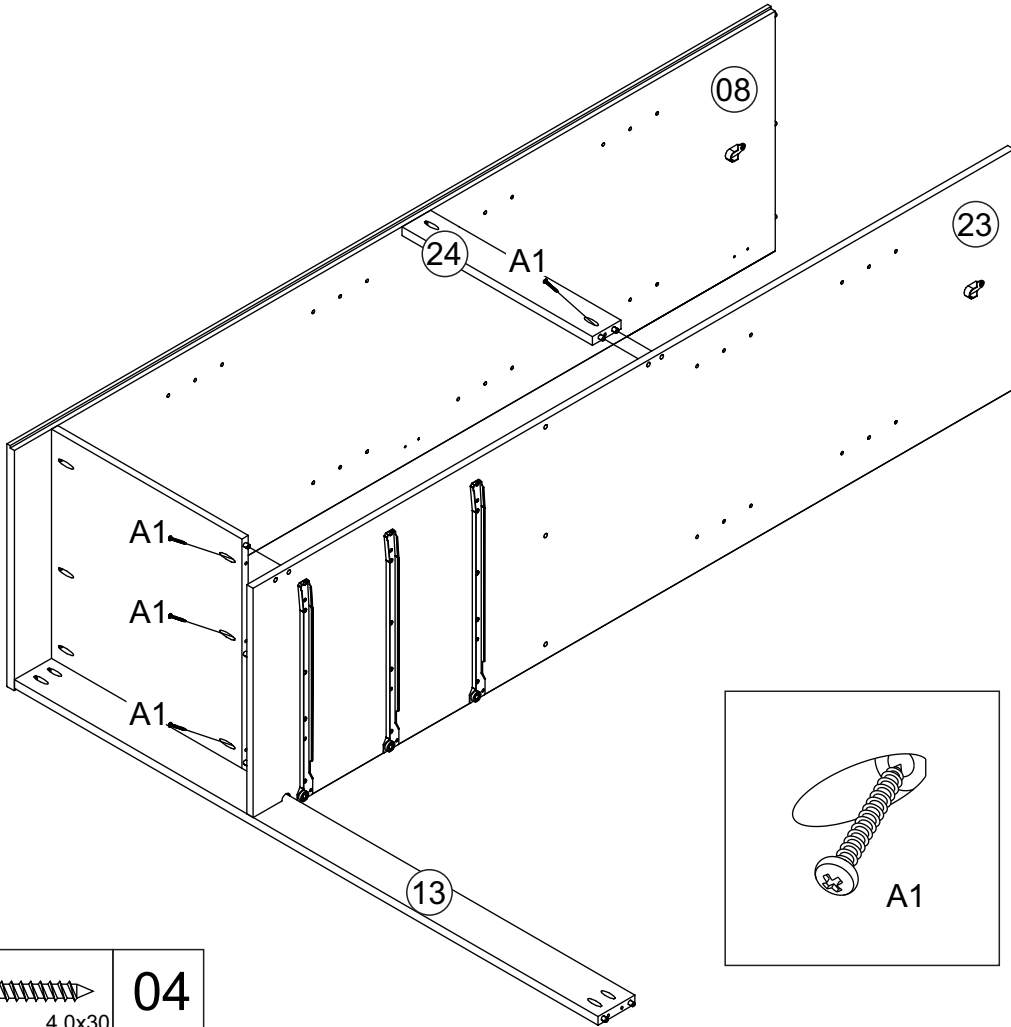


A42		12	D10		06
	4.0x14				

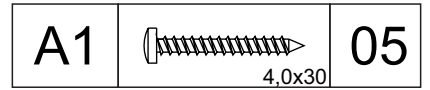
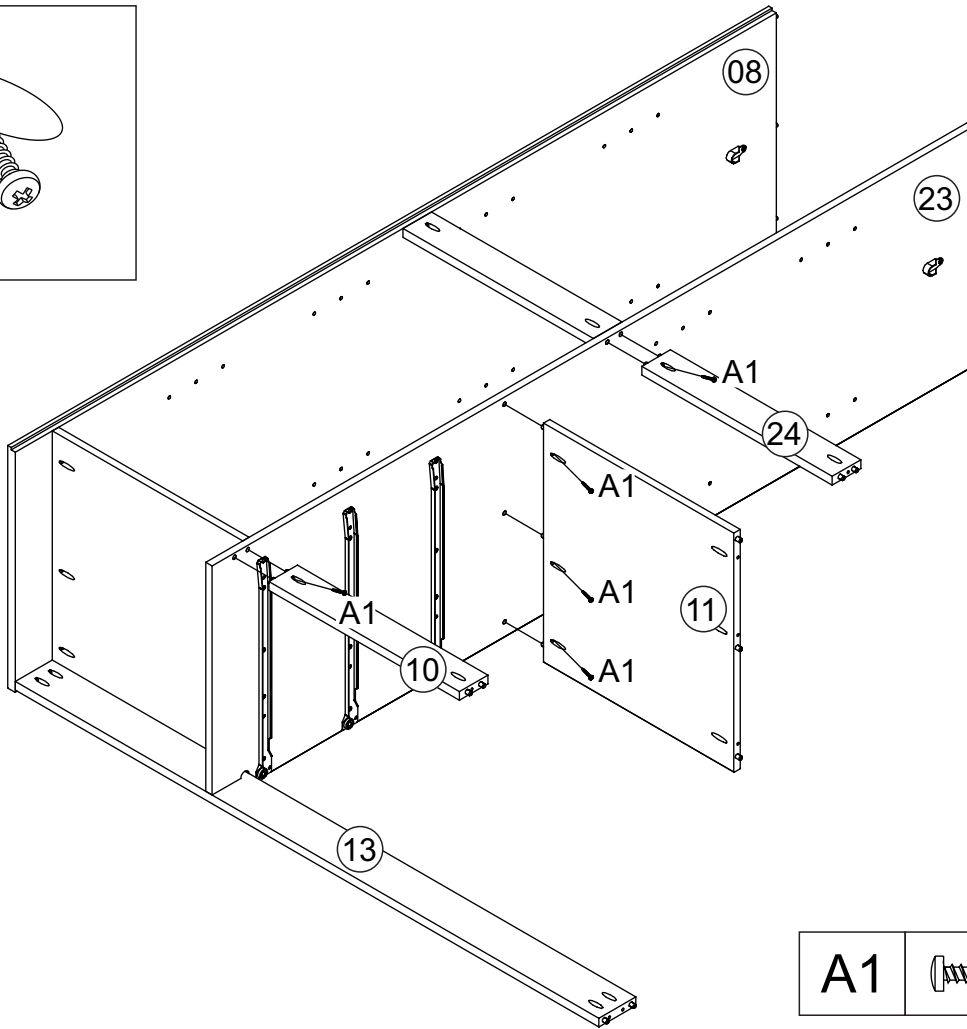
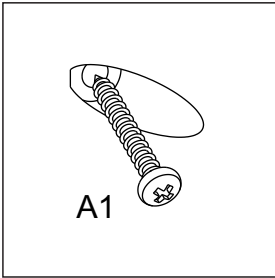
03)



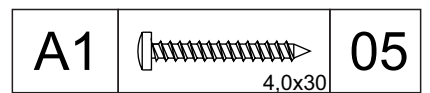
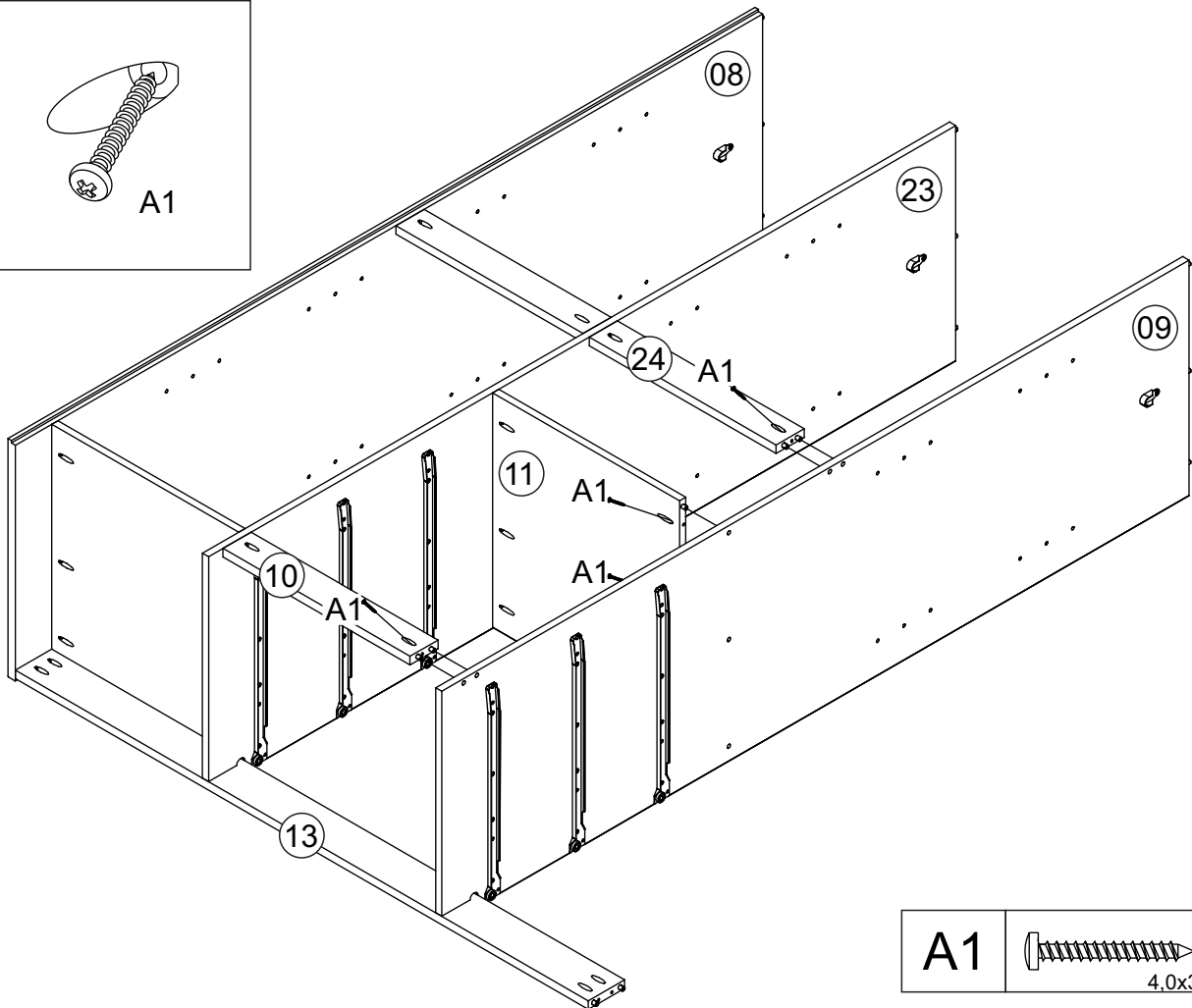
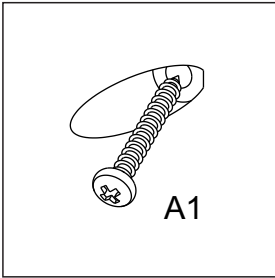
04)



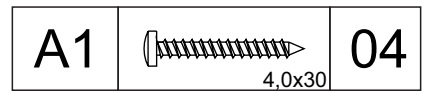
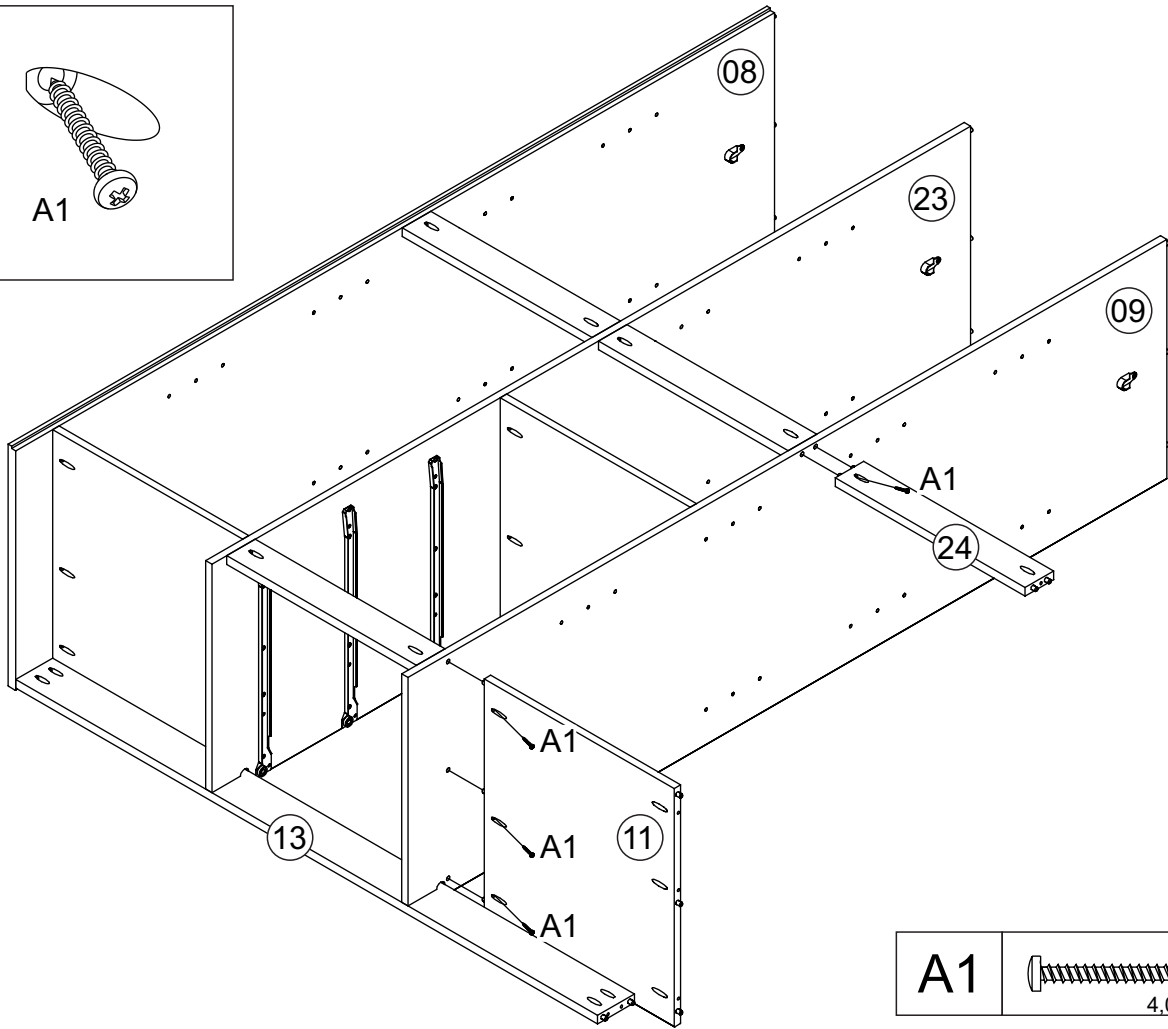
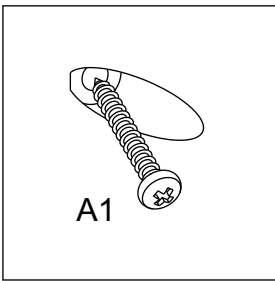
05)



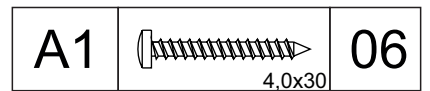
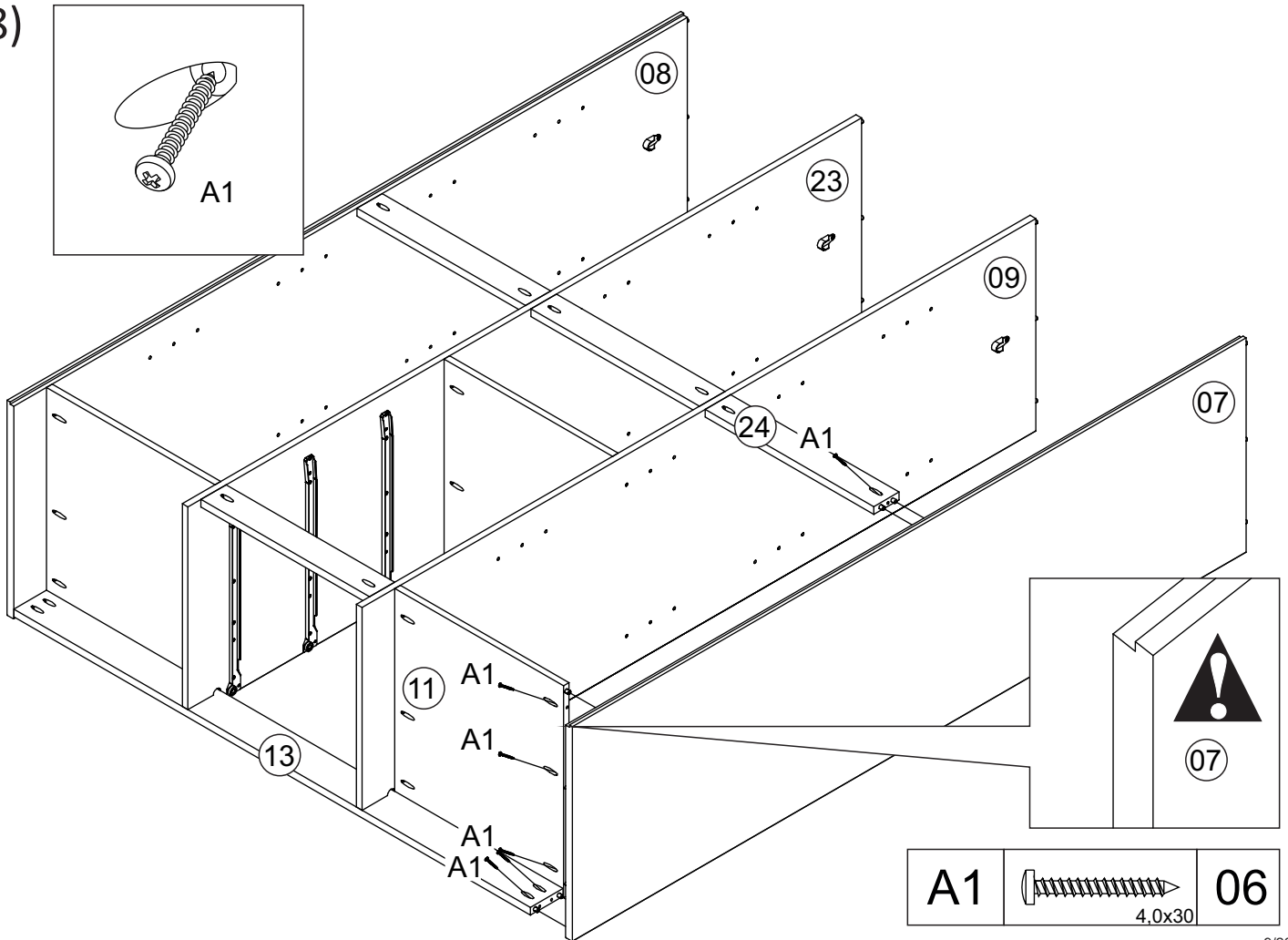
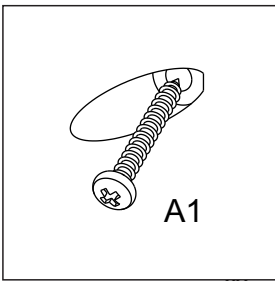
06)



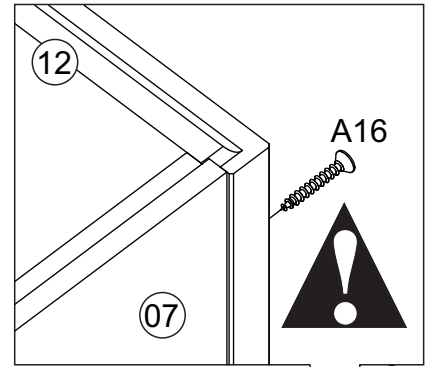
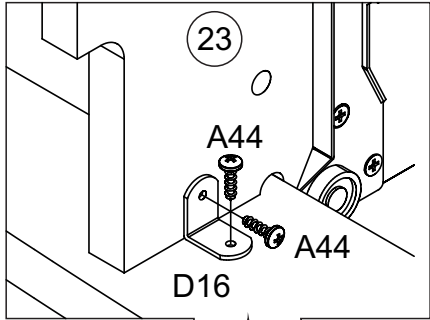
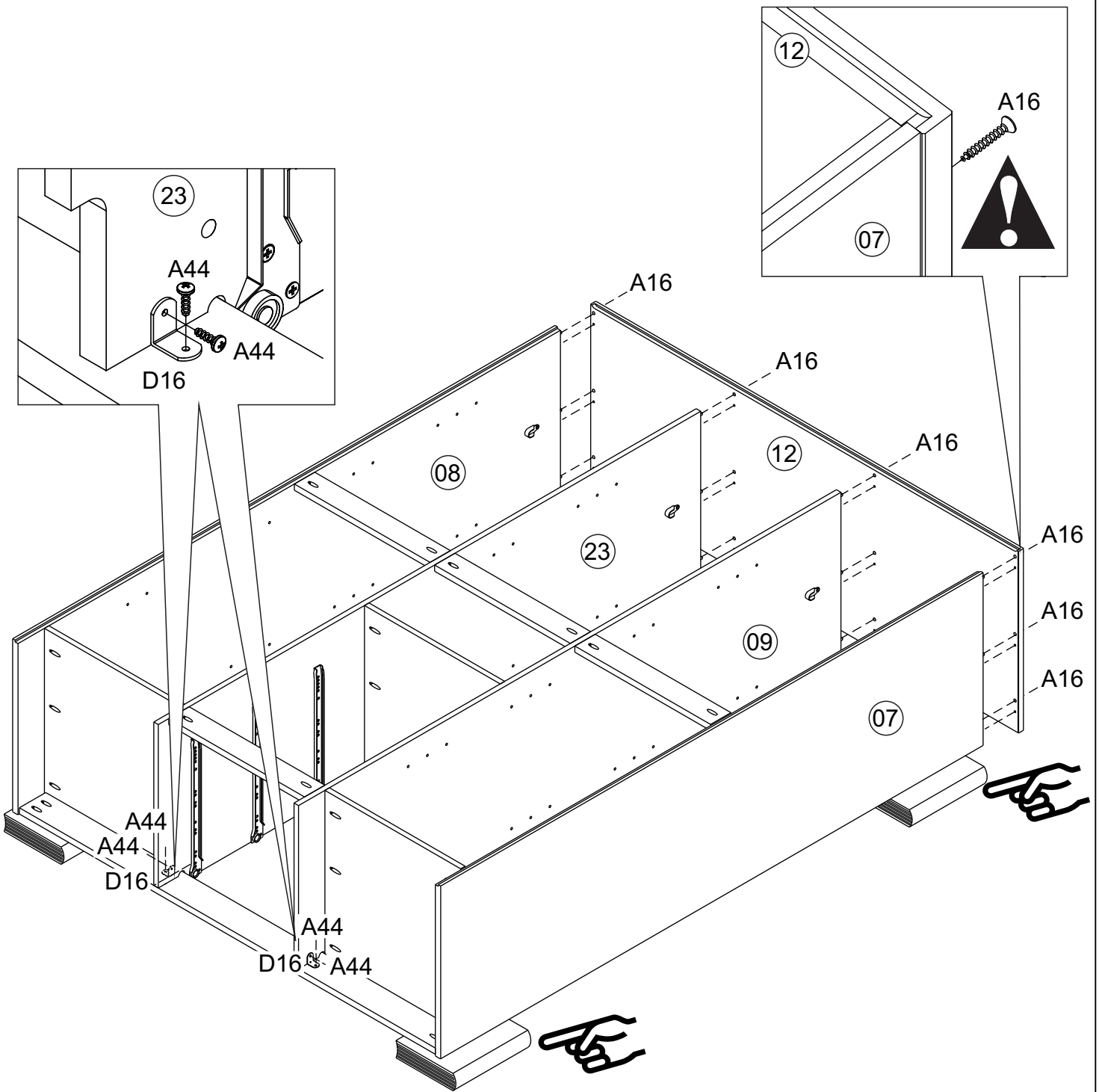
07)


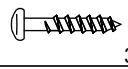



08)

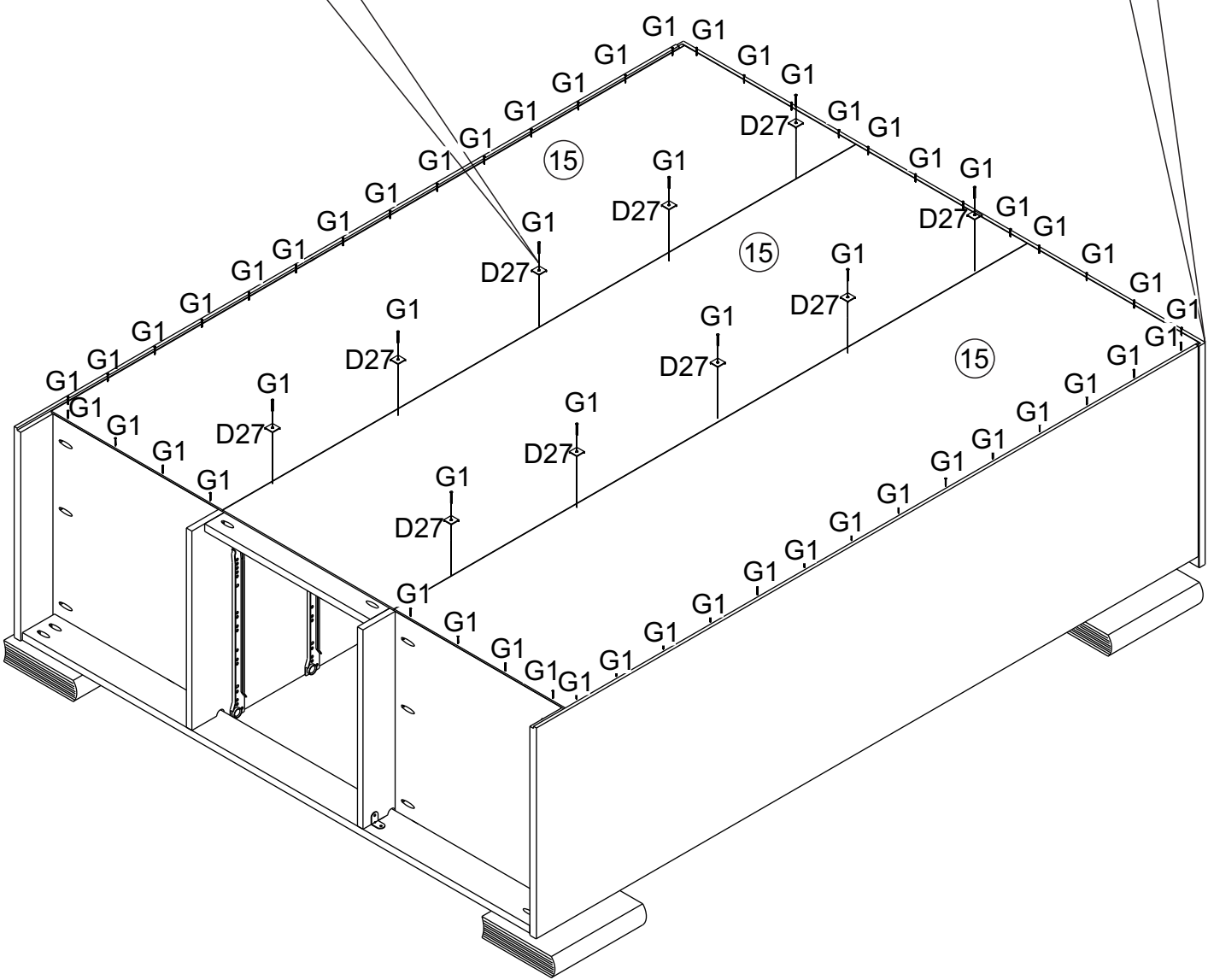
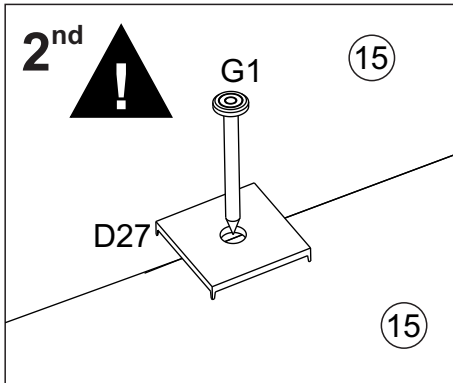
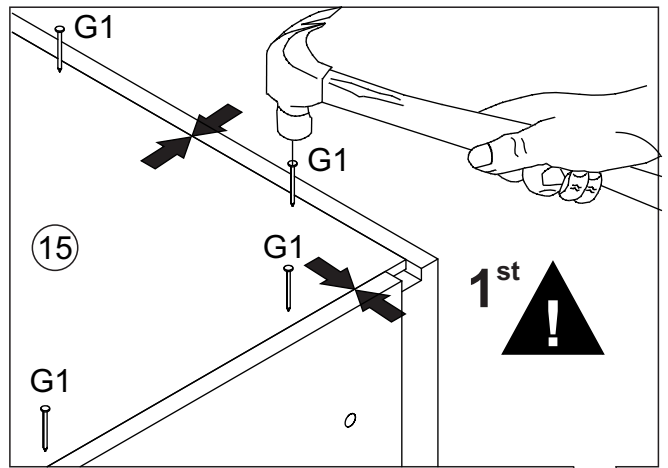



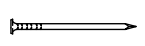
09)



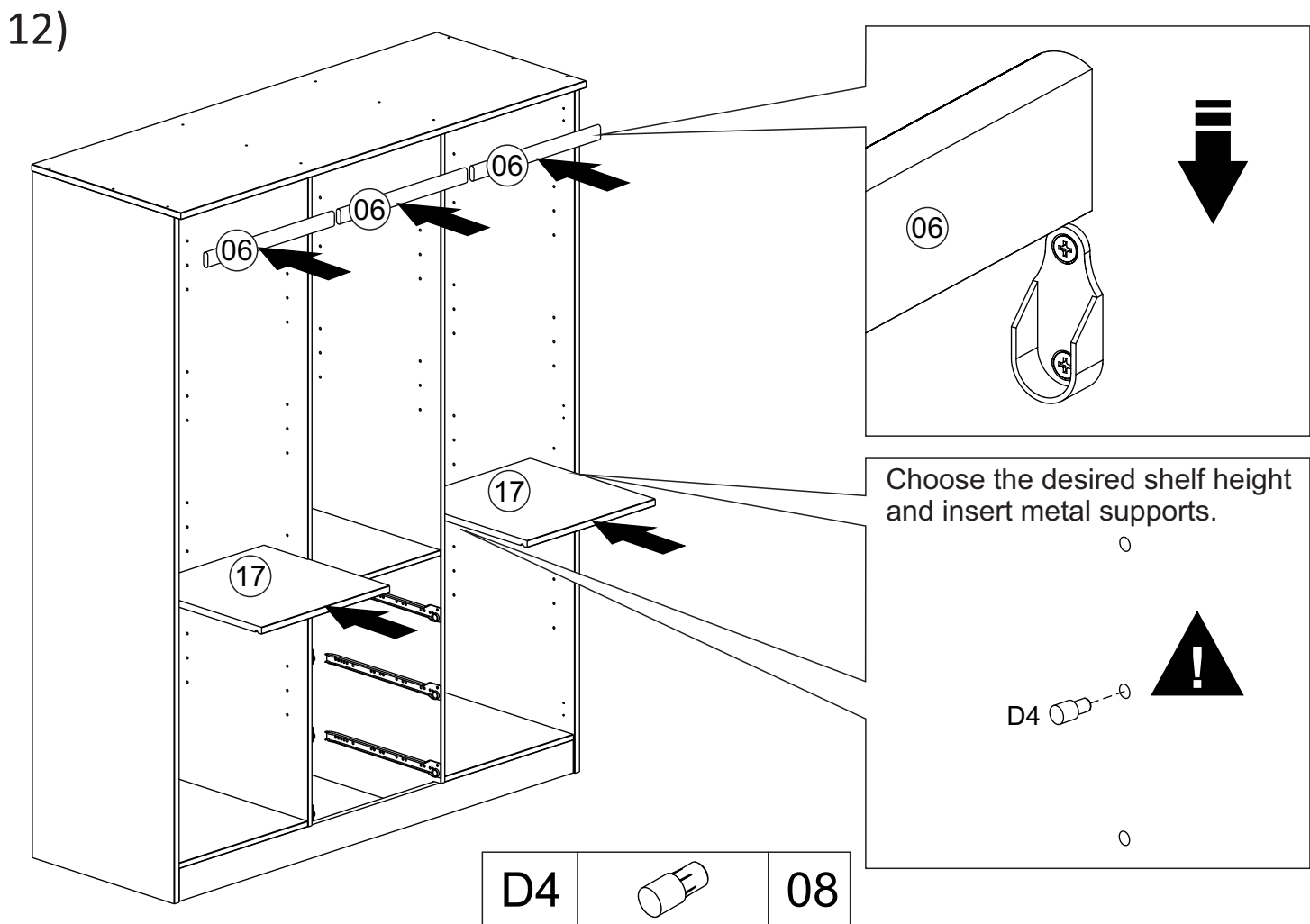
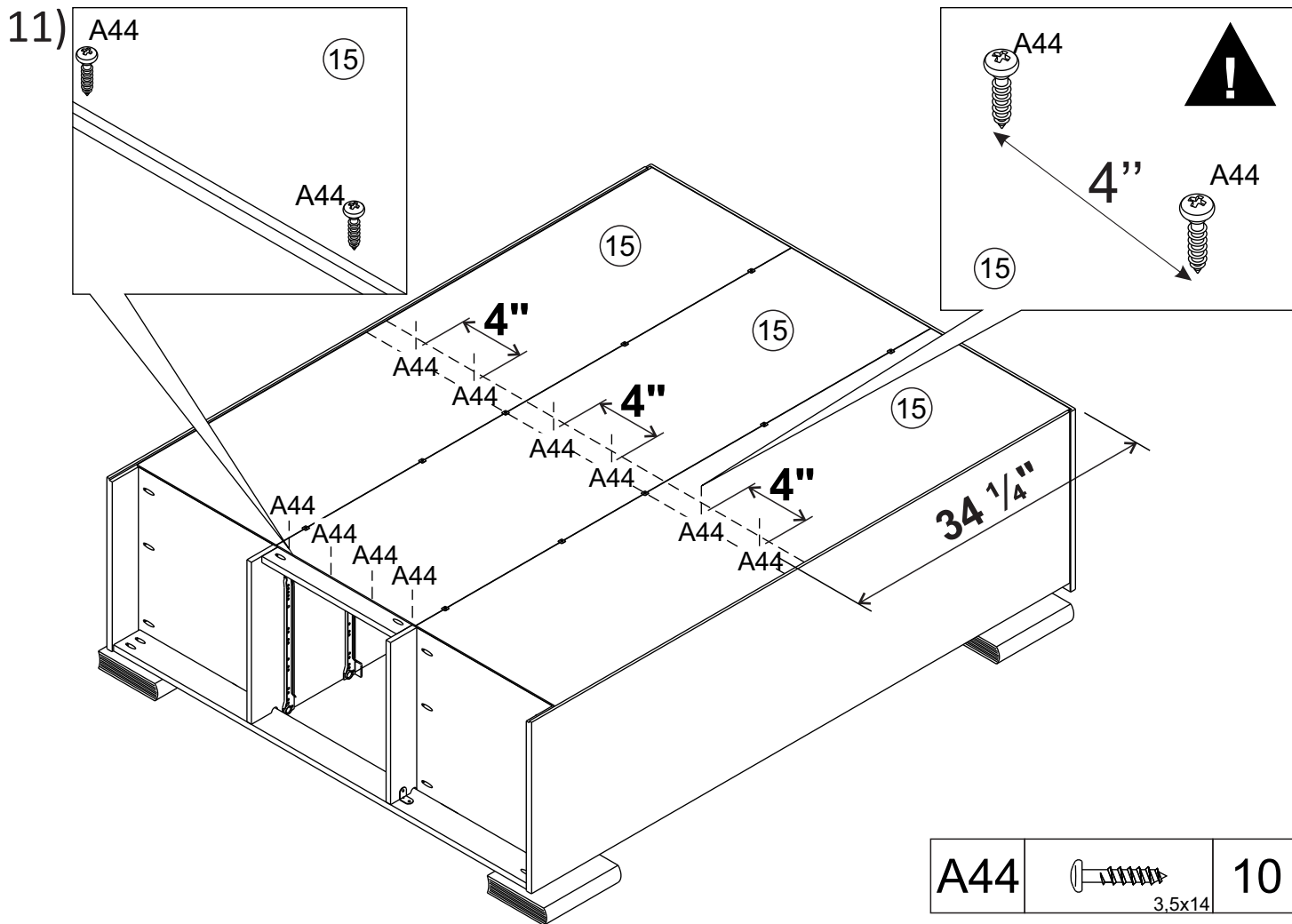
A16	 4,0x40	12
A44	 3,5x14	04
D16		02

10)



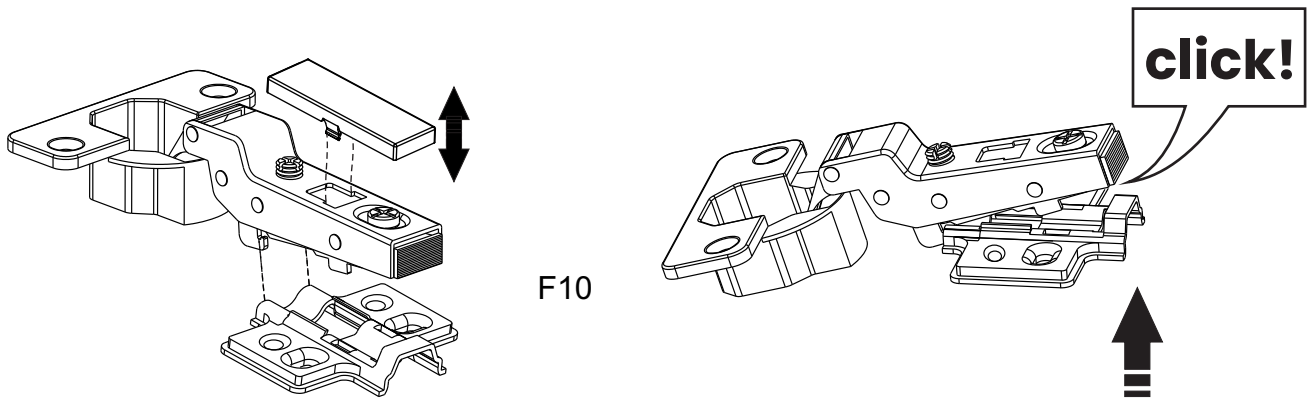
D27		10	G1		58
-----	---	----	----	--	----

10x10

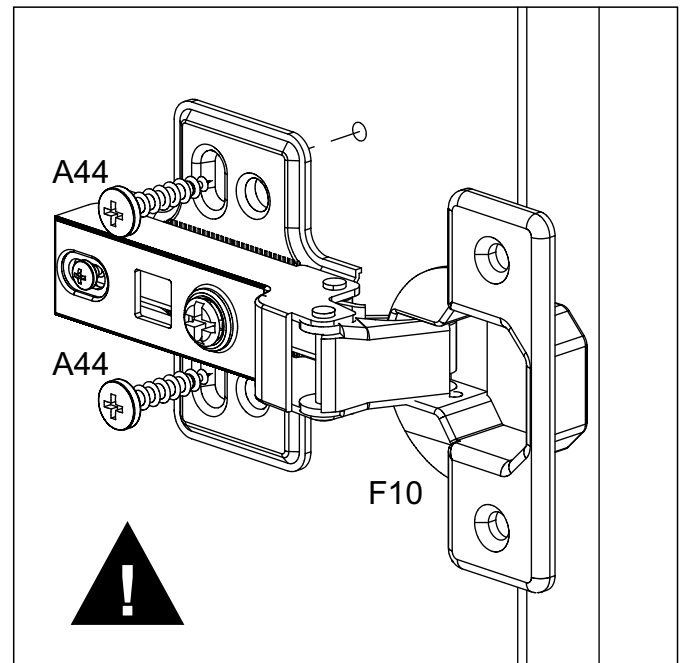
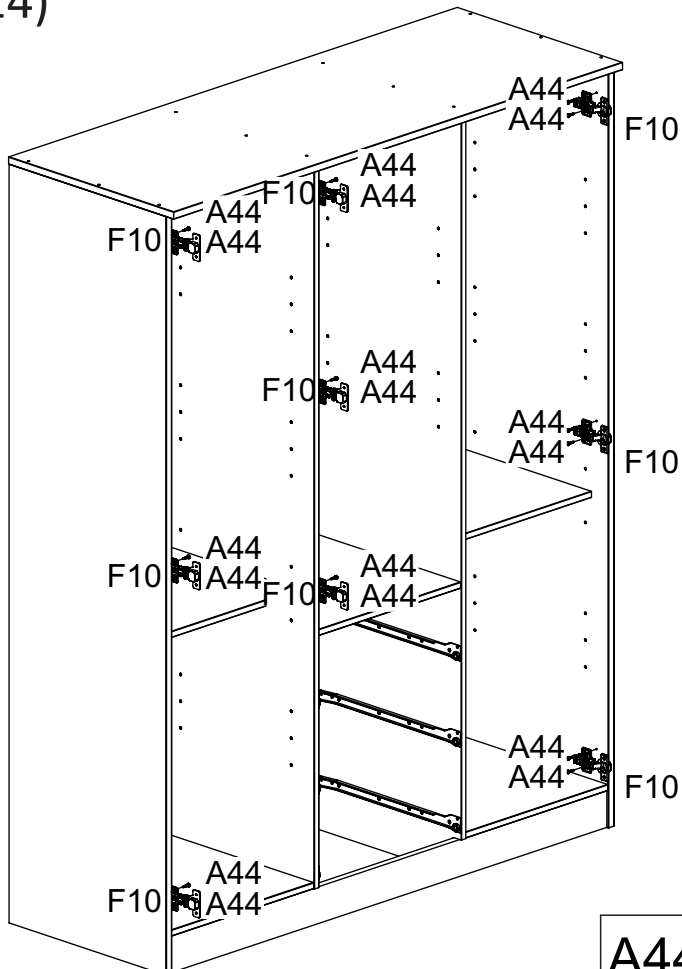


13)

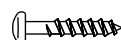
Attach hinge (F10) to hinge plate if it comes separated.
Push hinge against plate until it clicks.



14)



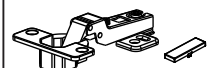
A44



3,5x14

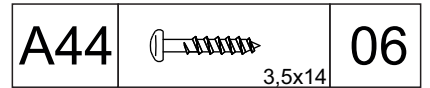
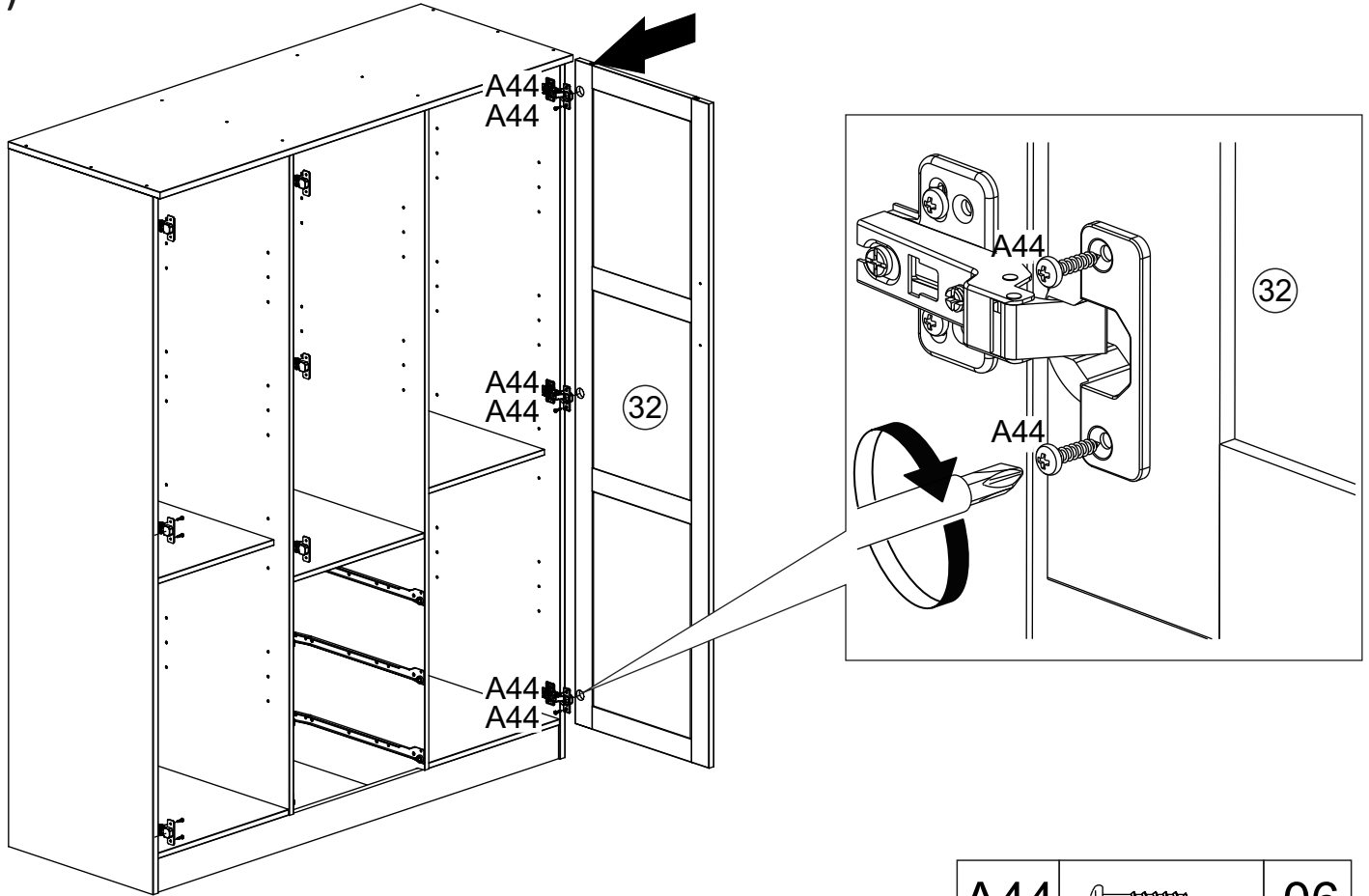
18

F10

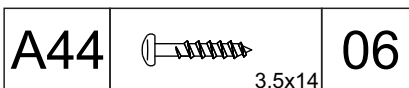
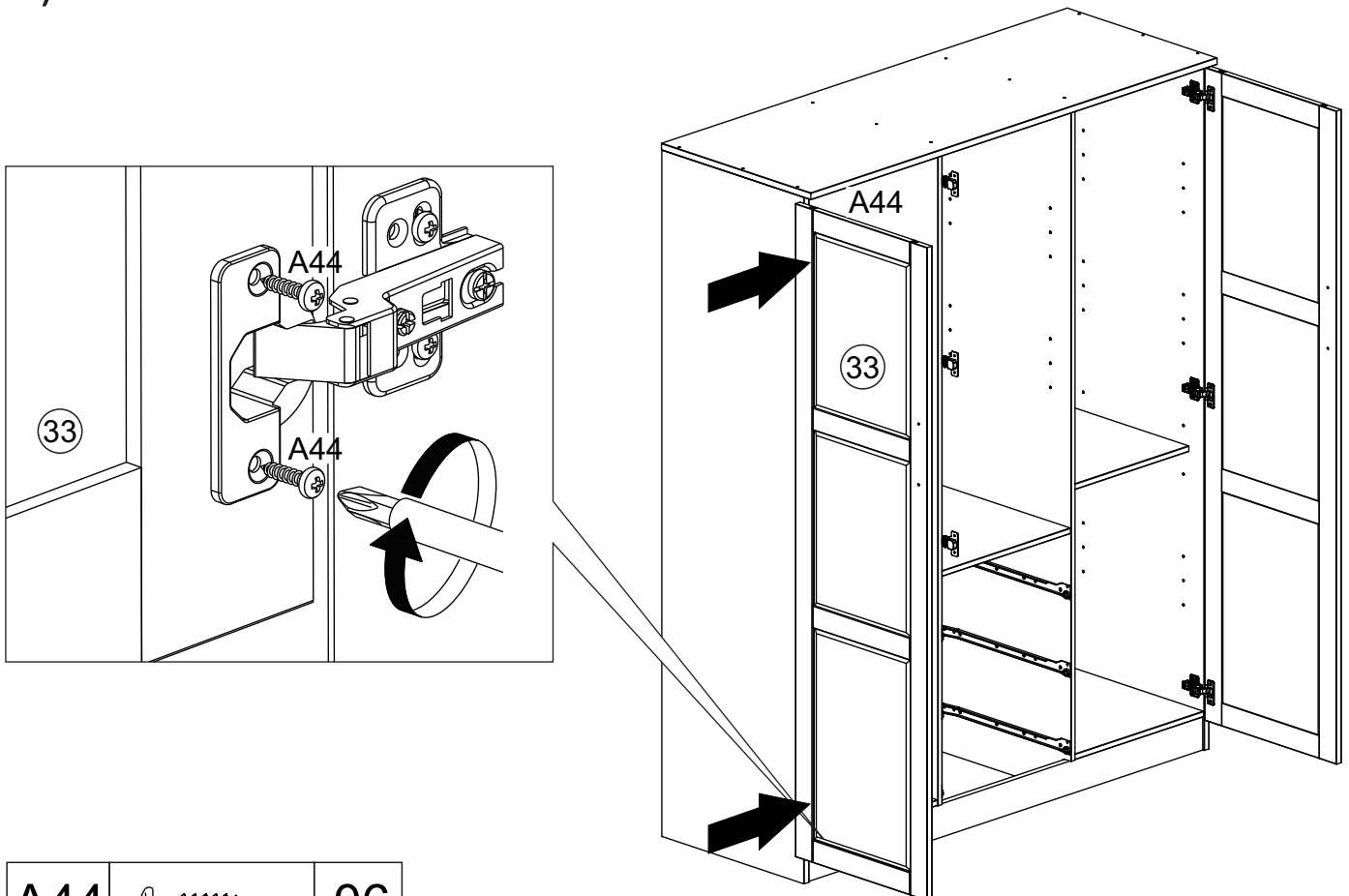


09

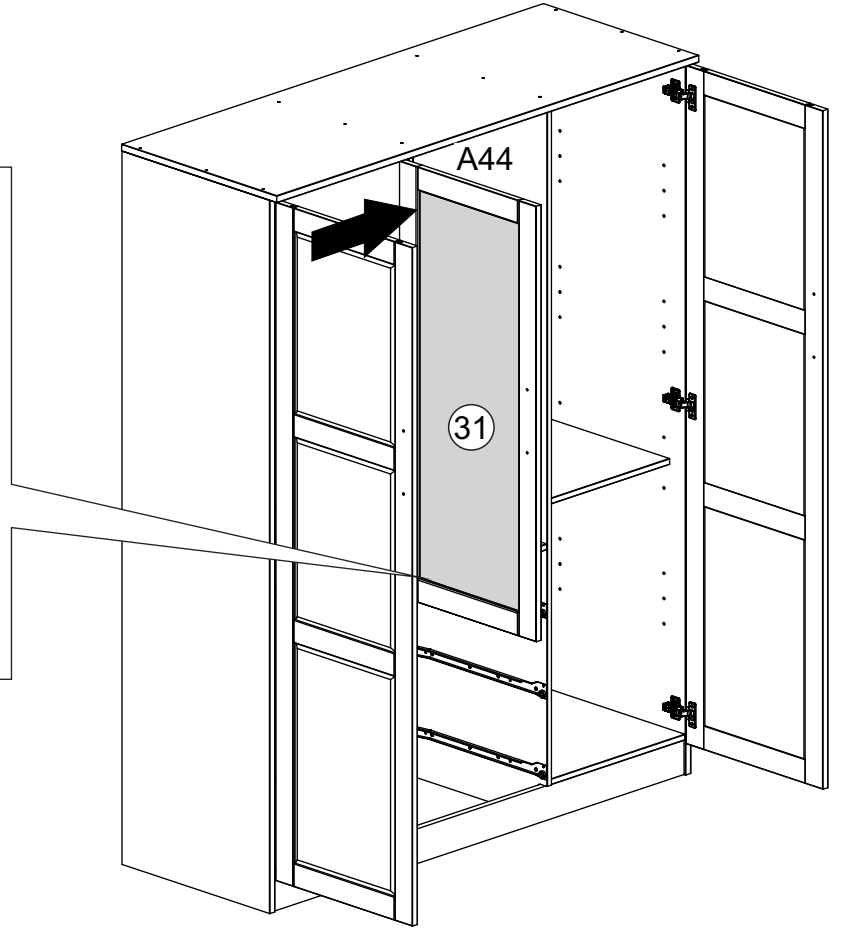
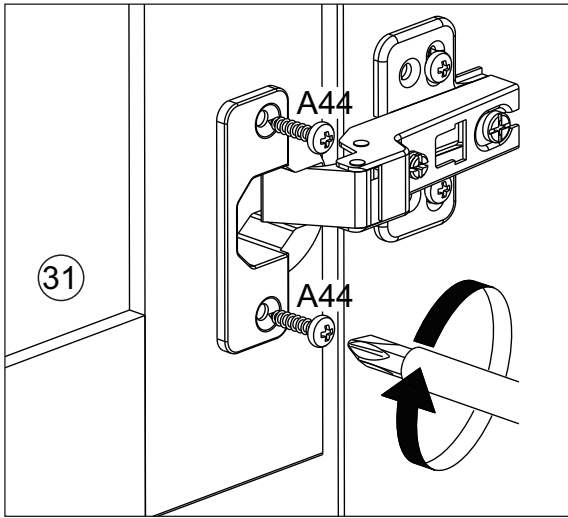
15)

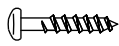


16)

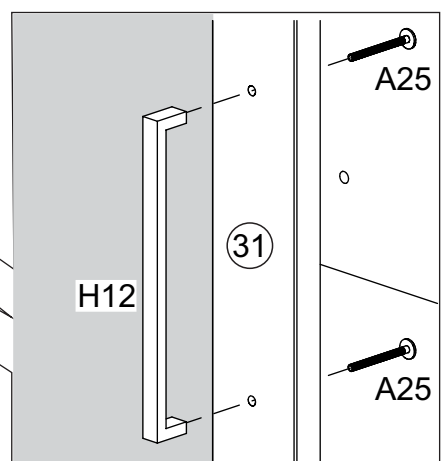
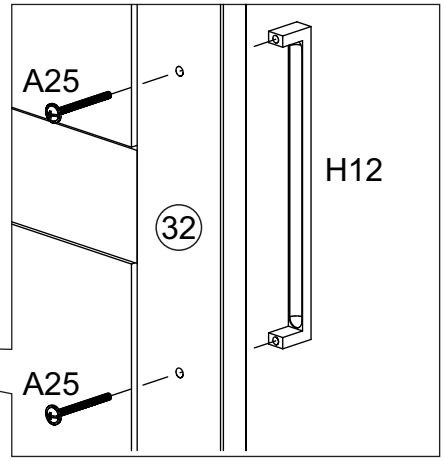
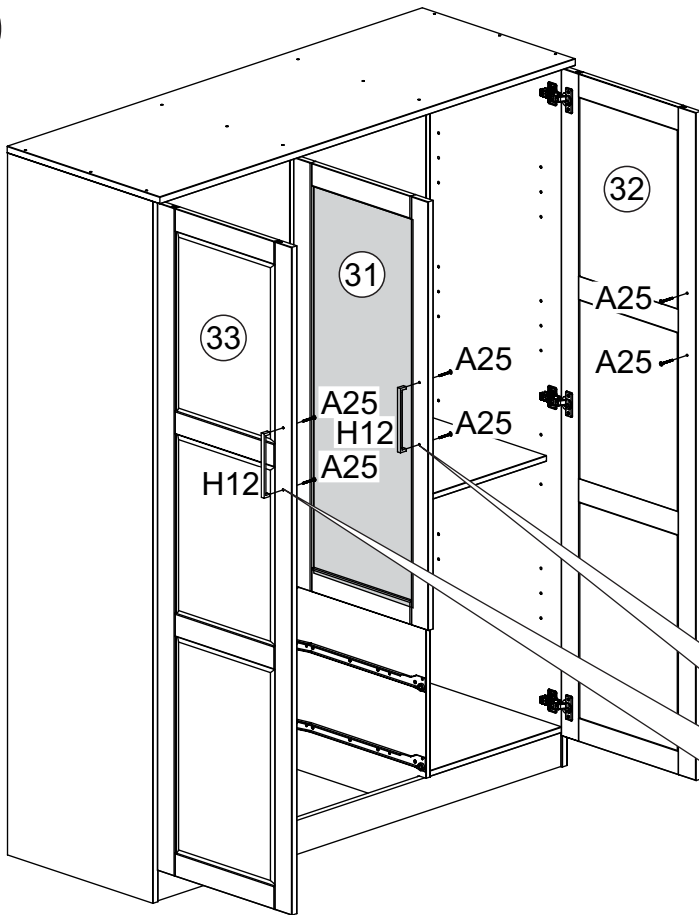


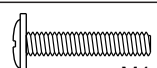
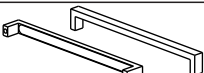
17)



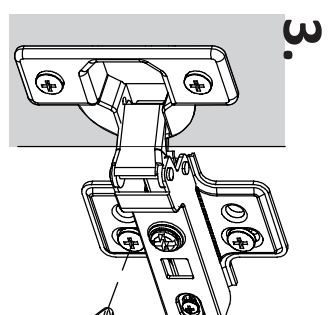
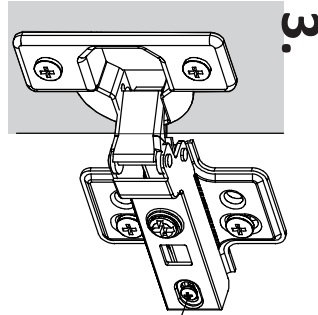
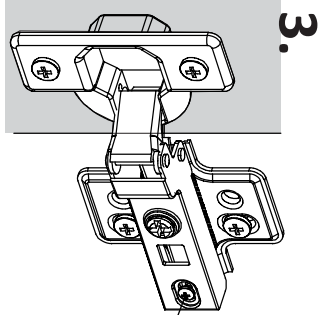
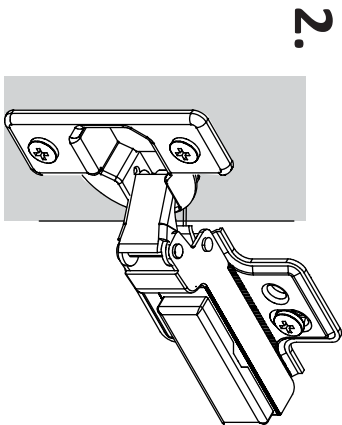
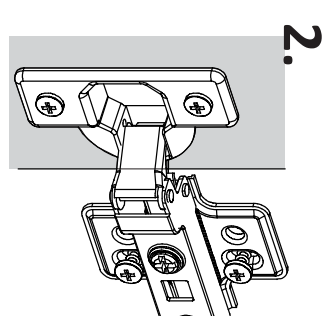
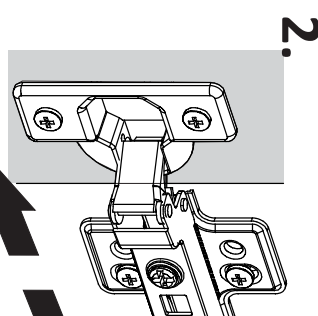
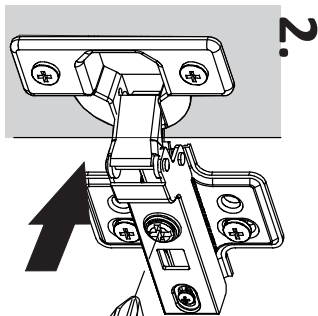
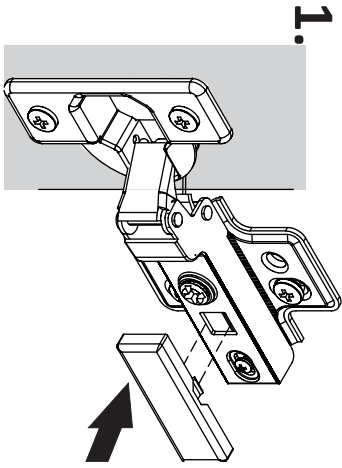
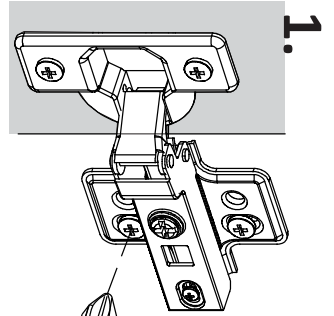
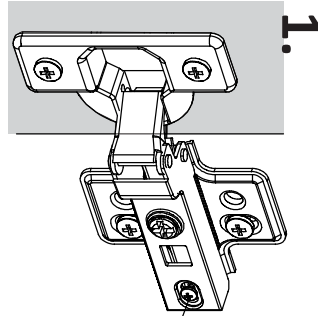
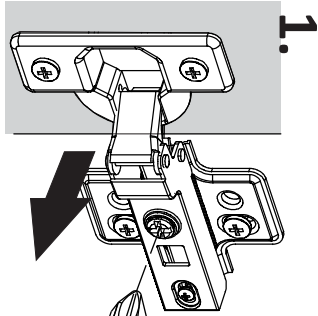
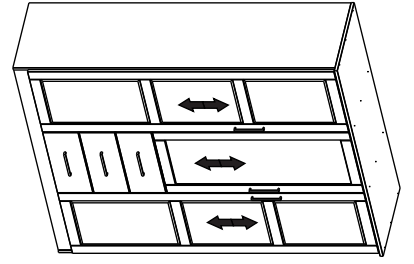
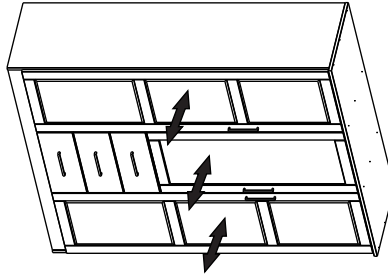
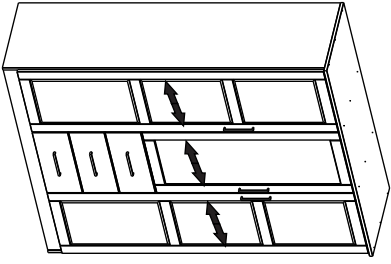
A44	 <small>3.5x14</small>	06
-----	--	----

18)

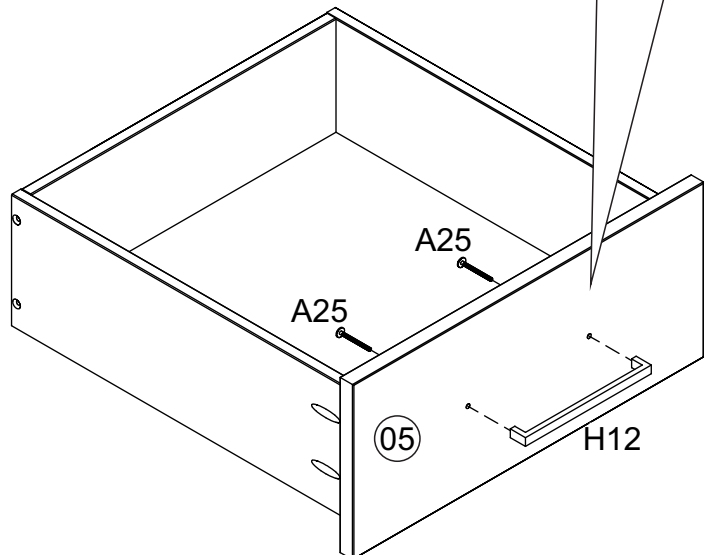
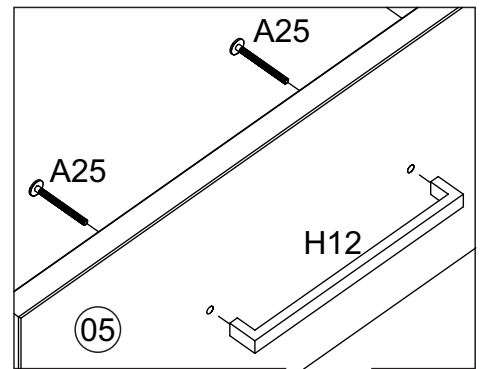
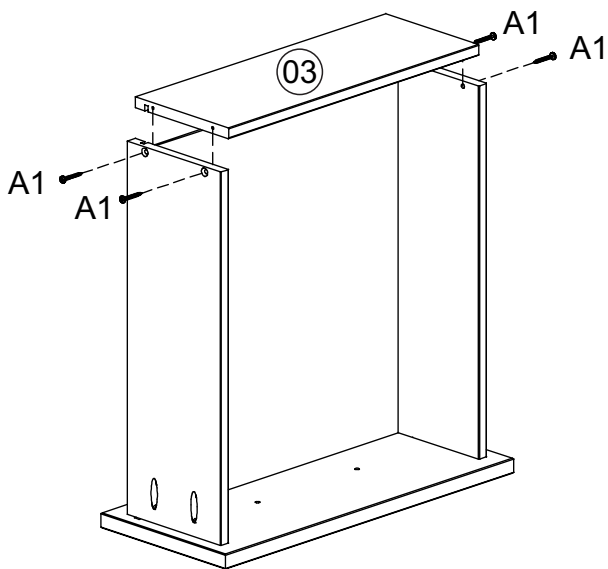
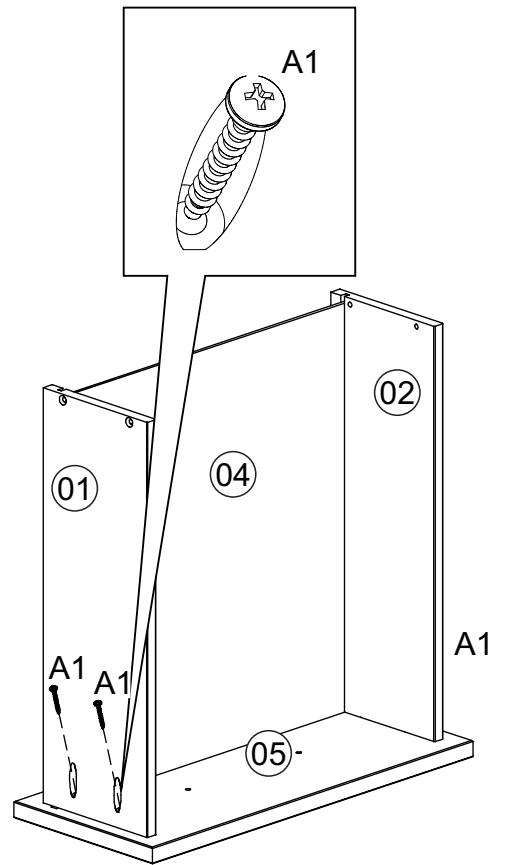
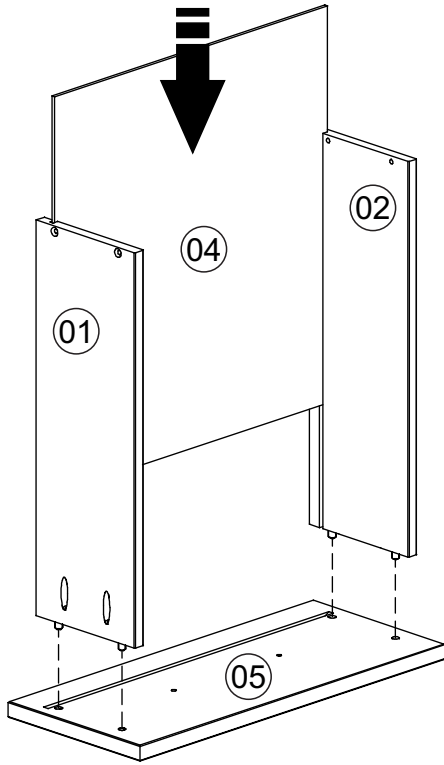


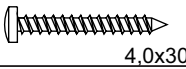


A25	 <small>M4x25</small>	06	H12		03
-----	---	----	-----	---	----

19)

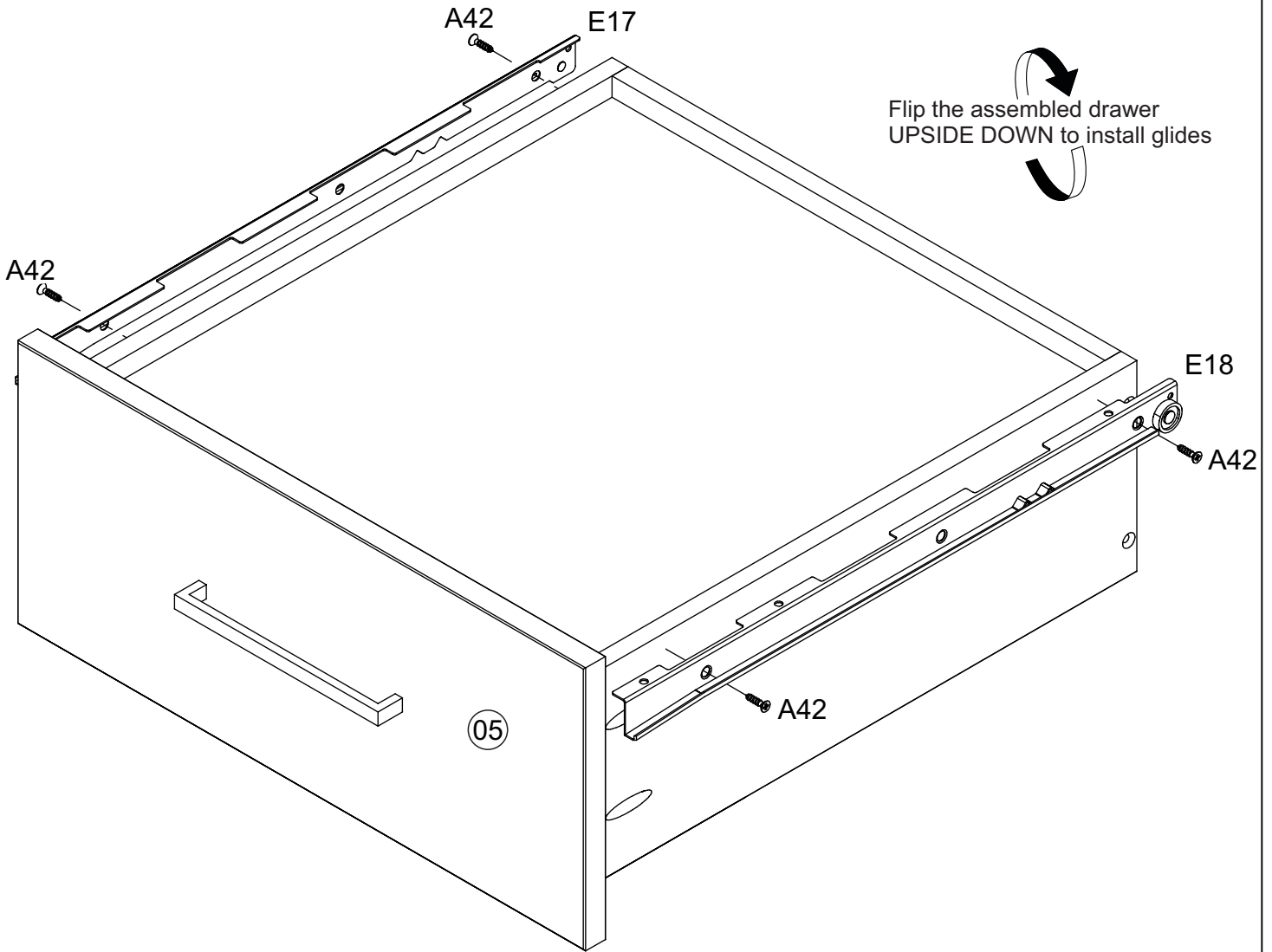
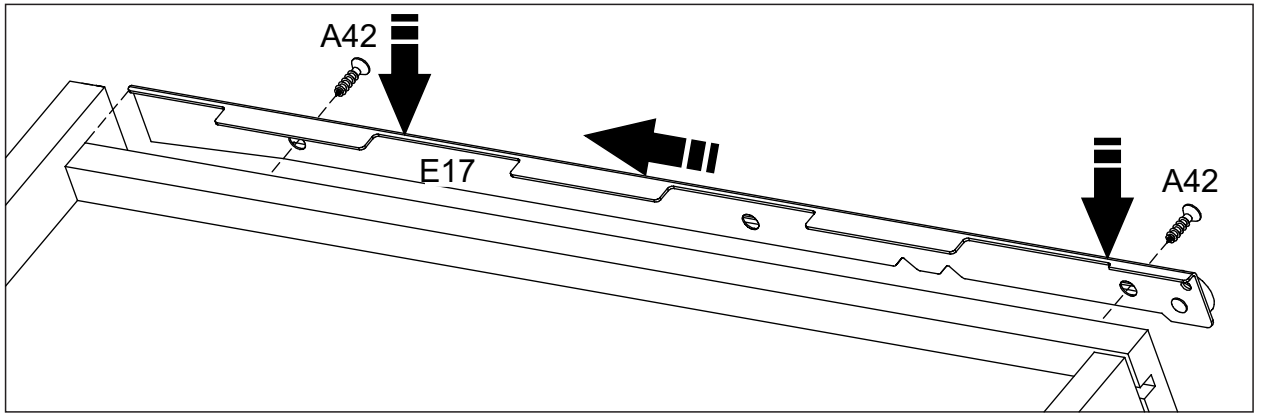


20) 3x

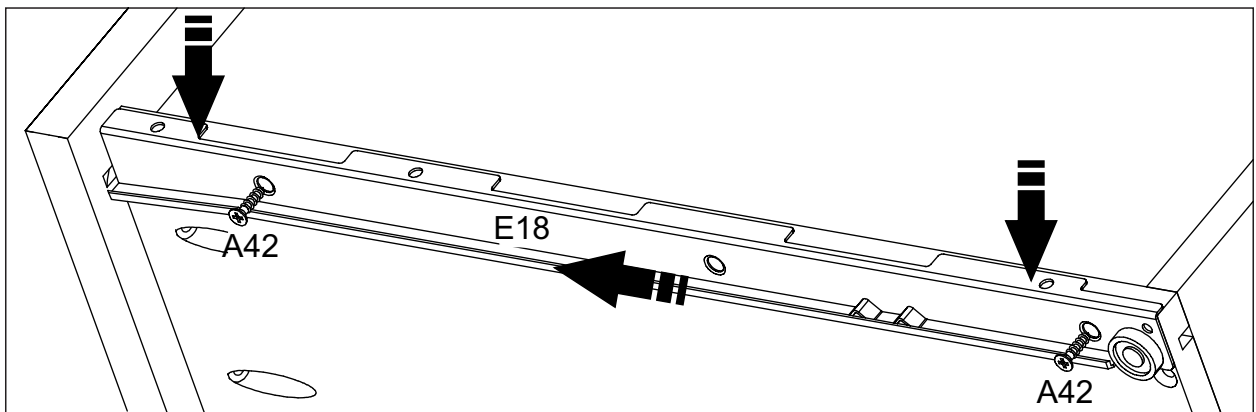



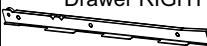
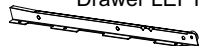
A1	 4.0x30	24
A25	 M4x25	06
H12		03

21) 3x



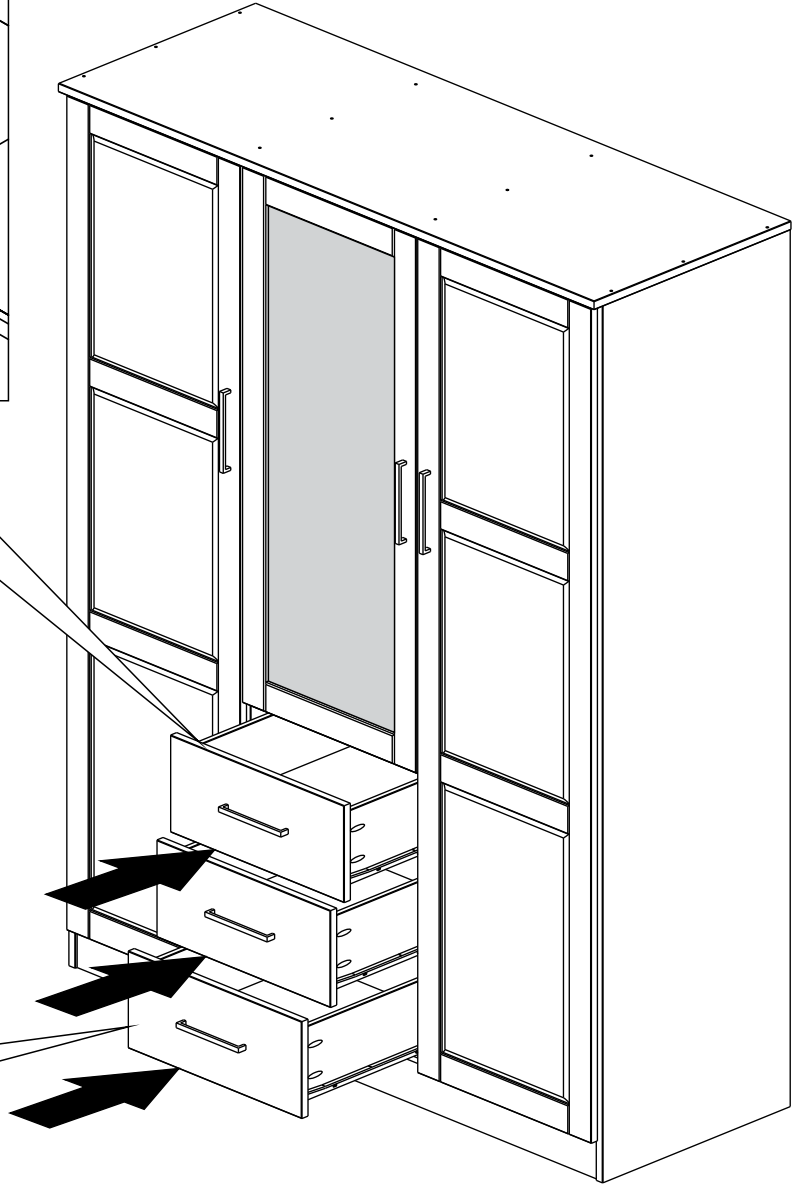
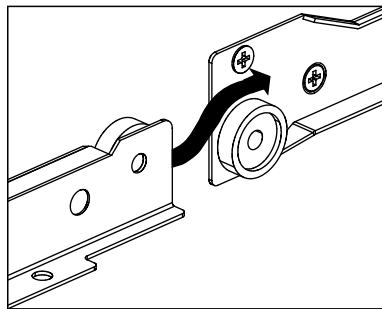
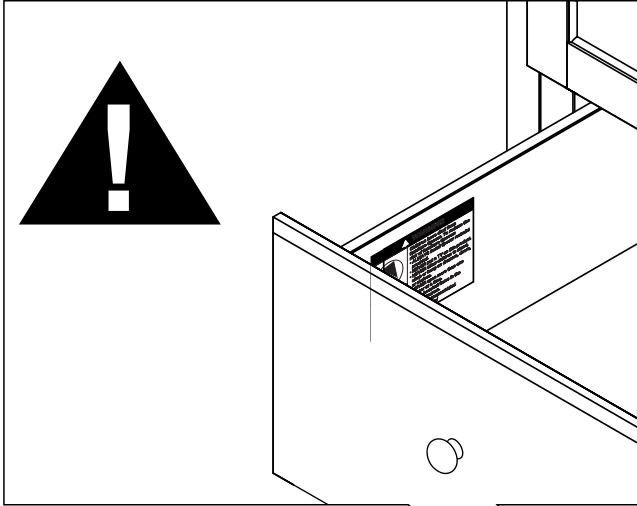
Flip the assembled drawer
UPSIDE DOWN to install glides



A42	 4,0x14	12	E17	 Drawer RIGHT 450mm - 17 3/4"	03	E18	 Drawer LEFT 450mm - 17 3/4"	03
-----	---	----	-----	--	----	-----	---	----

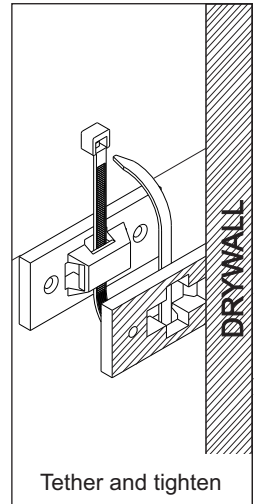
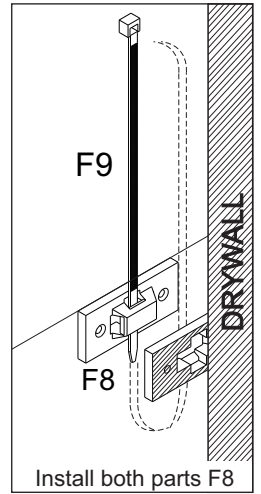
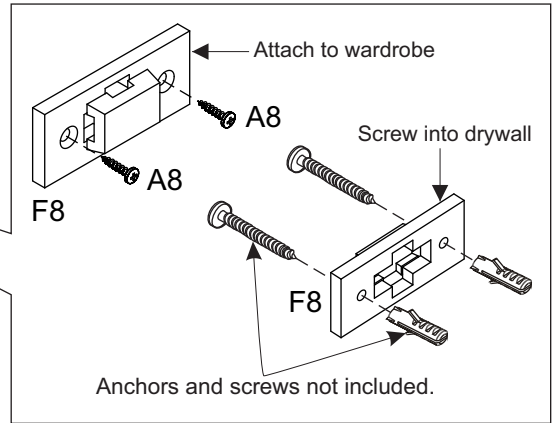
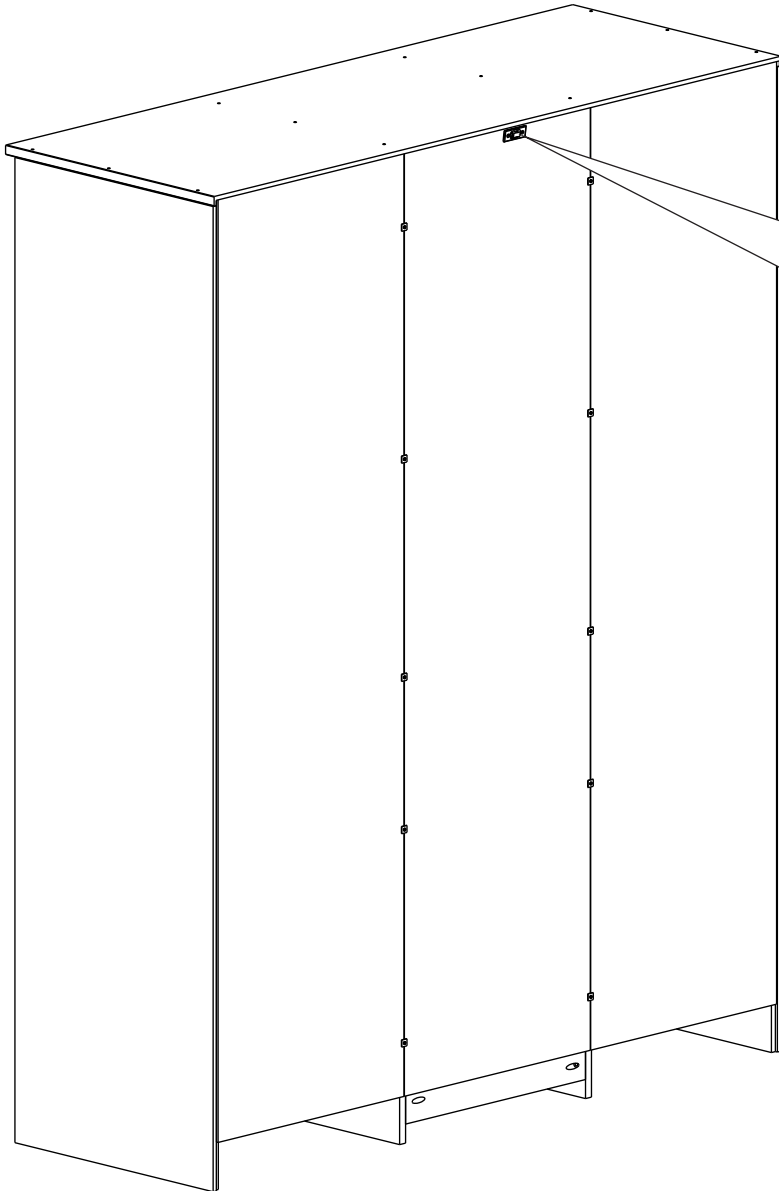
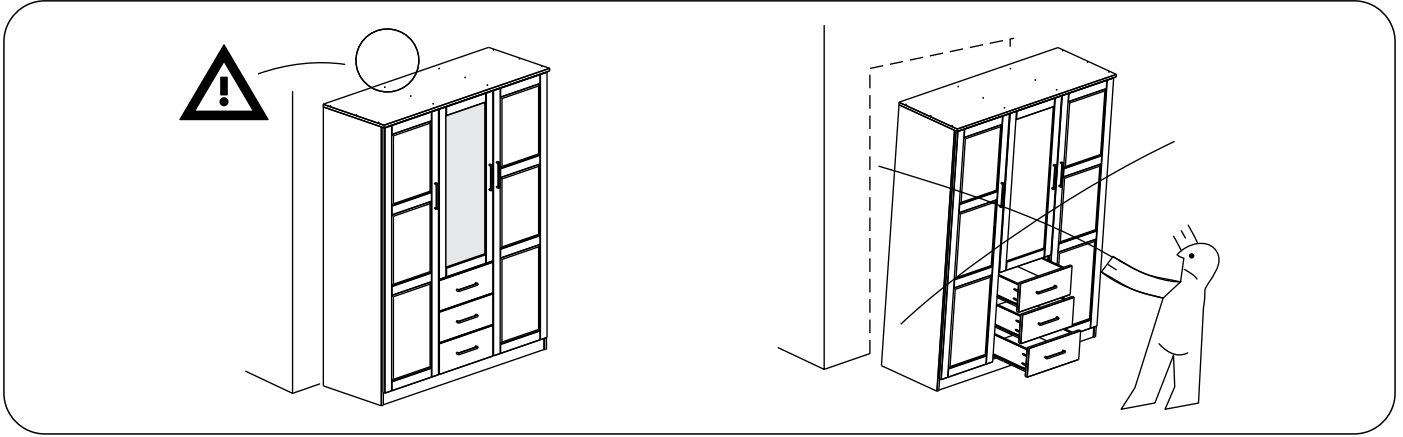
22)


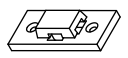

Label Required By Federal Law.
Do NOT Remove!



23)

FURNITURE TIP-OVER PREVENTION KIT



A8	 3.0x20	02
F8		02
F9		01