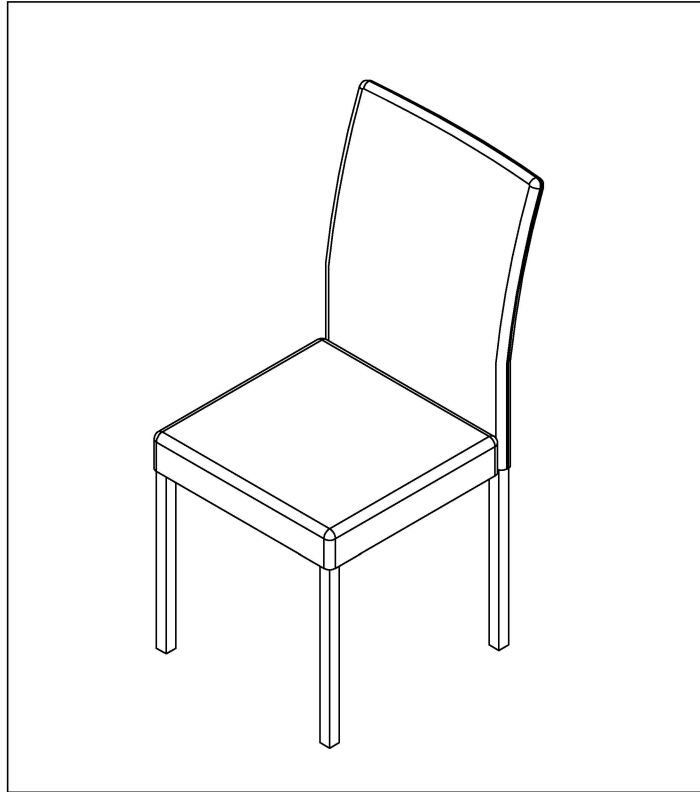


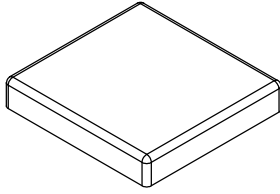
# ASSEMBLY INSTRUCTIONS



## NOTE TO CUSTOMERS:

- For ease and speed of assembly we recommend that before you commence each step you identify all the parts required to complete the set up.
- We recommend that you allow sufficient space to assemble the item as close as possible to the place it will be once assembled.
- For the protection of your furniture we recommend that the product is placed on protected surfaces during assembly to prevent any damage.
- During assembly do not over tighten, as this may damage the product.
- Please ensure you retain all the product packaging until the item is completely assembled.
- Periodically check all fittings and re tighten as necessary.
- It is recommended that this item should be assembled by two adults.

A1



SEAT

1PC

A2



FRONT LEFT LEG

1PC

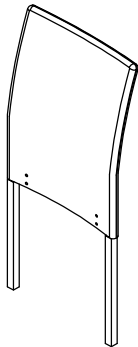
A3



FRONT RIGHT LEG

1PC

A4



BACKSEAT

1PC

B1



BOLTS

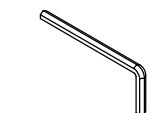
4SETS

B2



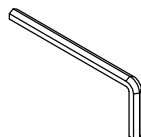
BOLTS& WASHERS

4SETS



ALLEN WRENCH(4mm)

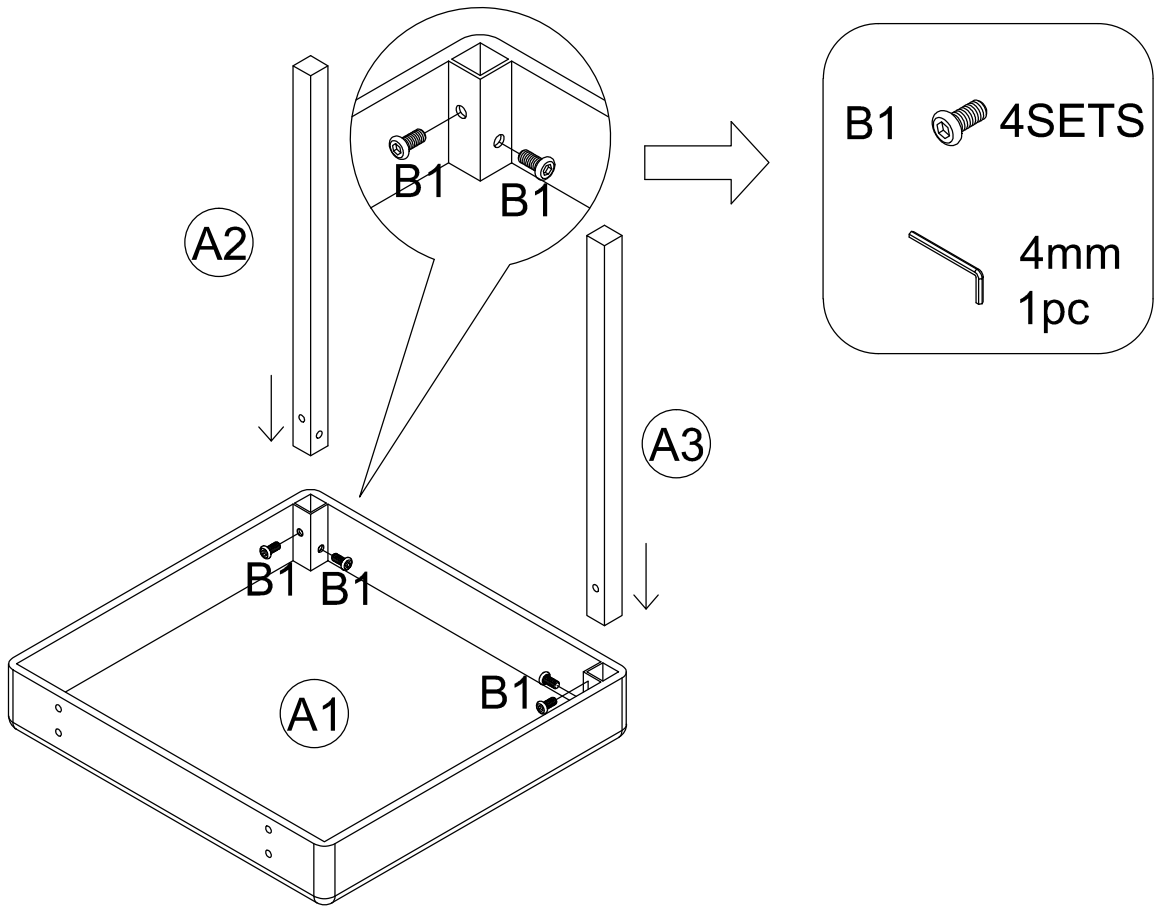
1PC



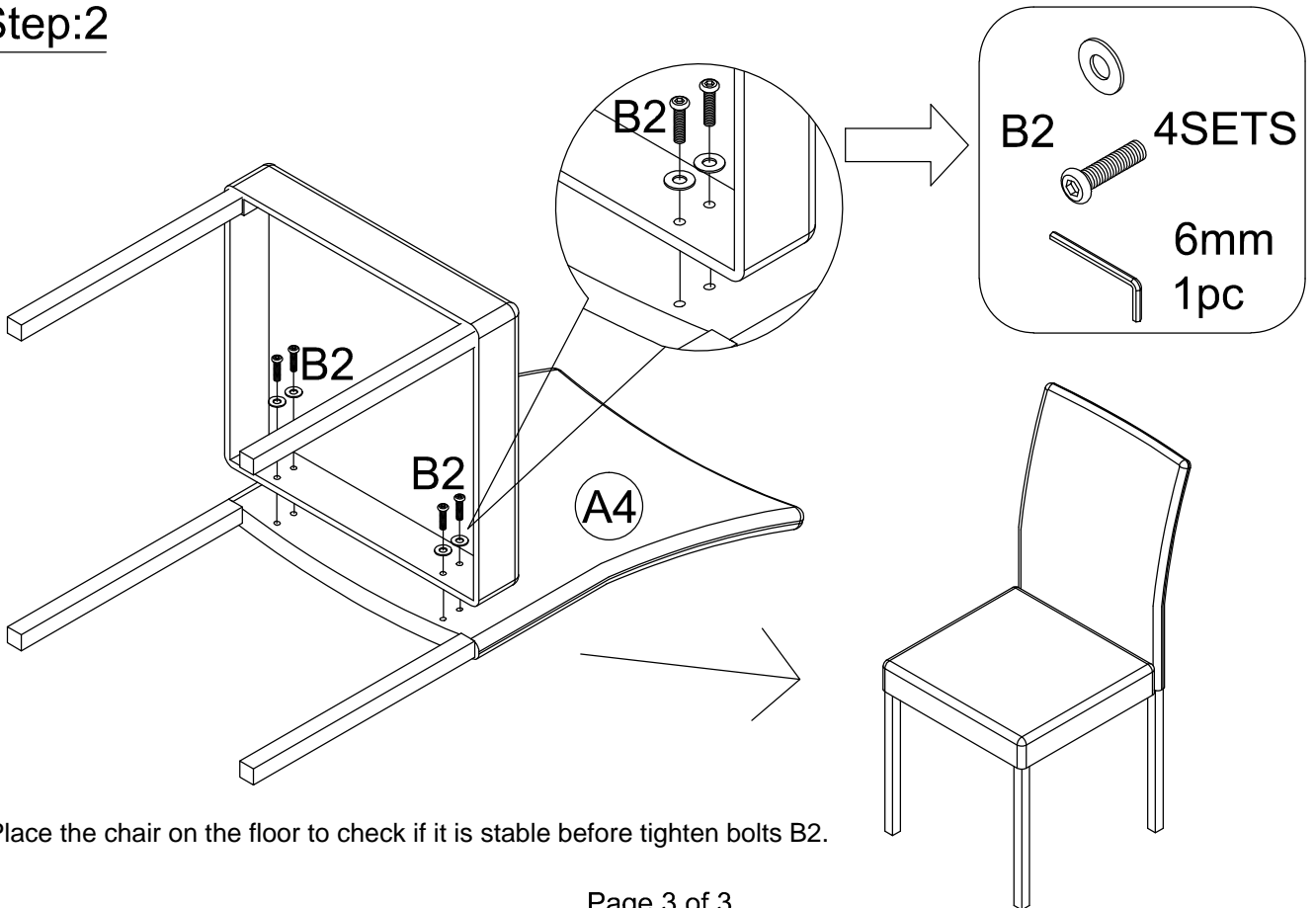
ALLEN WRENCH(6mm)

1PC

Step:1



Step:2



Place the chair on the floor to check if it is stable before tighten bolts B2.