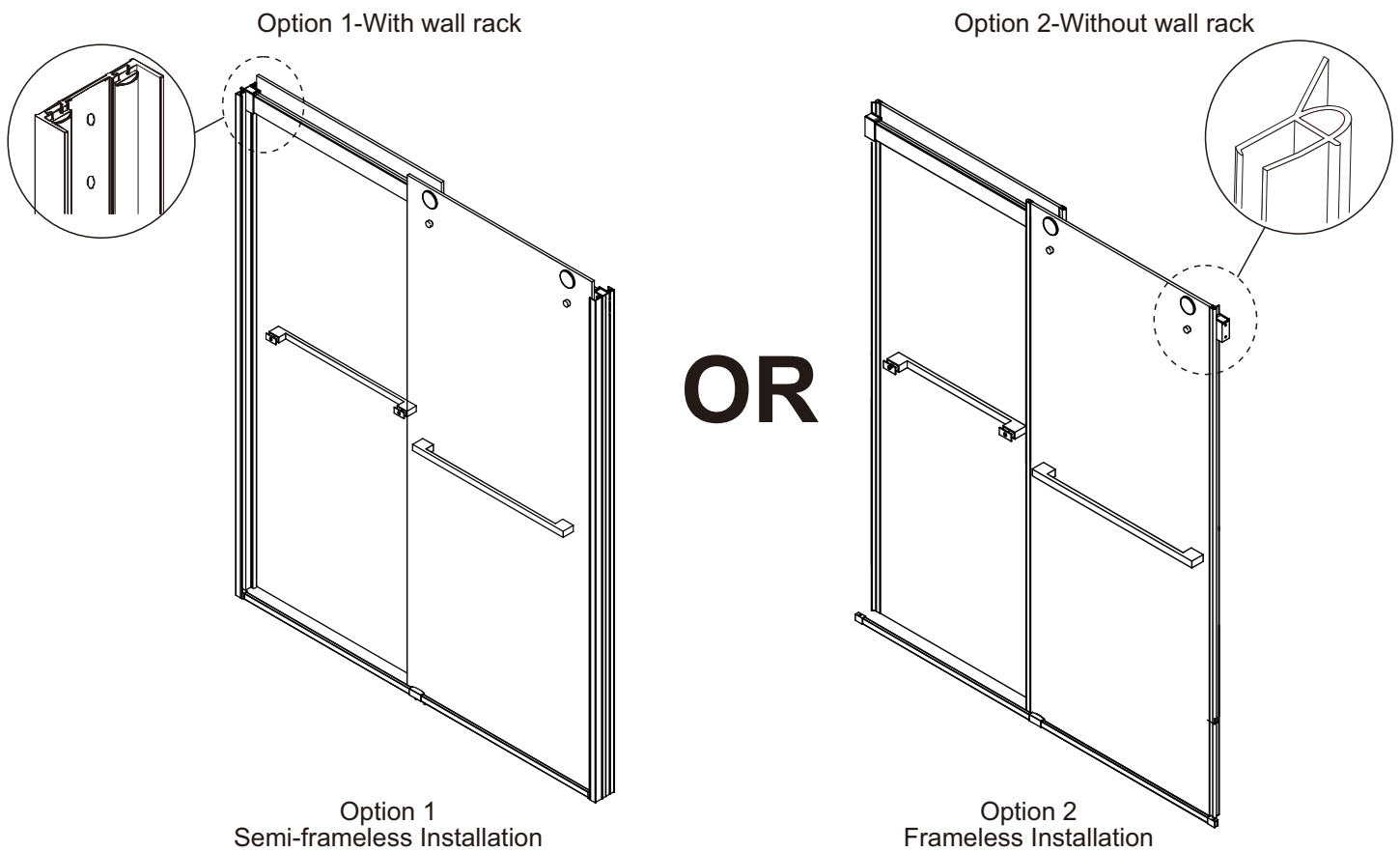


By Pass Barn Shower Door / Tub Door

For model # BRP488008C/F, BRP606208C/F, BRP607008C/F, BRP608008C/F

INSTALLATION GUIDE



Each installation shown separately

⚠ This shower/tub door contains 2 different design options for you to choose.

Option 1 is Semi-Frameless structure with wall rack installation required. The wall rack has sealing strips built inside. Option 2 is Frameless structure without wall rack installation required. The bumper seal strips need to be installed on the glass on both ends.

Both of them provide a similar experience. Semi-Frameless structure provides a better performance when the wall is out of plumb while Frameless structure provides a more open and airy look for your shower.

Please choose your preferred structure and choose the appropriate version for your model.

CAUTION: To reduce the risk of breakage, keep corner protectors on glass while installing.

Consult your local plumbing codes prior to installation.

IMPORTANT: To complete an entire door installation, you will need the following:

1. One carton containing (2) Glass Panels
2. One carton containing (1) Track Assembly Kit
3. One carton containing Door Handle(s)

TABLE OF CONTENT

TABLE OF CONTENT	2
SAFETY INFORMATION	3
CARE AND MAINTENANCE.....	3
PACKAGE CONTENT	4
PART LIST	6
TOOLS REQUIRED	7
INSTALLATION STEPS (option 1).....	8
INSTALLATION STEPS (option 2).....	16



SAFETY INFORMATION

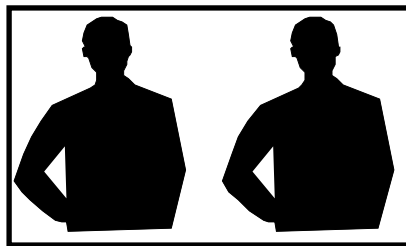
CAUTION

Please carefully read the following important safety information before handling or installing this shower. There is a risk of serious injury while handling this product. To minimize these risks, please note:

- Always wear safety glasses and gloves while handling.
- Always read and follow all the steps in the installation instructions.
- Inspect all contents and glass for damage before installation.
- Extreme caution should be taken while handling the glass during installation as the tempered glass may shatter if in contact with a hard surface.
- Handle the tempered glass with caution! Improperly handling the glass can cause it to break suddenly in small pieces (never in pointed fragments).
- Always take all precautions not to touch the tempered glass with any tools during the installation, or after installed.
- Do not cut or modify the tempered glass as it will shatter if cut.
- Carefully remove product from packaging and keep packaging until installation is complete.
- Inspect all parts for damage; if there is damage to the unit prior to installation, please contact customer service.
- Install the shower on a floor that is level and able to accommodate the weight of the unit and an occupant.
- Consult local building codes and compliance standards prior to installation and ensure conformity.
- After installation, and from time to time, check the glass for fit and finish to ensure that nothing has come loose since installation.
- Keep this installation manual for future reference.

NOTICE

- Any modification or alteration from what is specified in this instruction manual will void any and all warranty on this product.
- The distributor is not responsible for any damage to the unit or personal property caused by improper installation. If you disregard instructional warnings, you will void your warranty and possibly deal with water damage.
- Consult the distributor's website for any additional information or question on this product's installation.

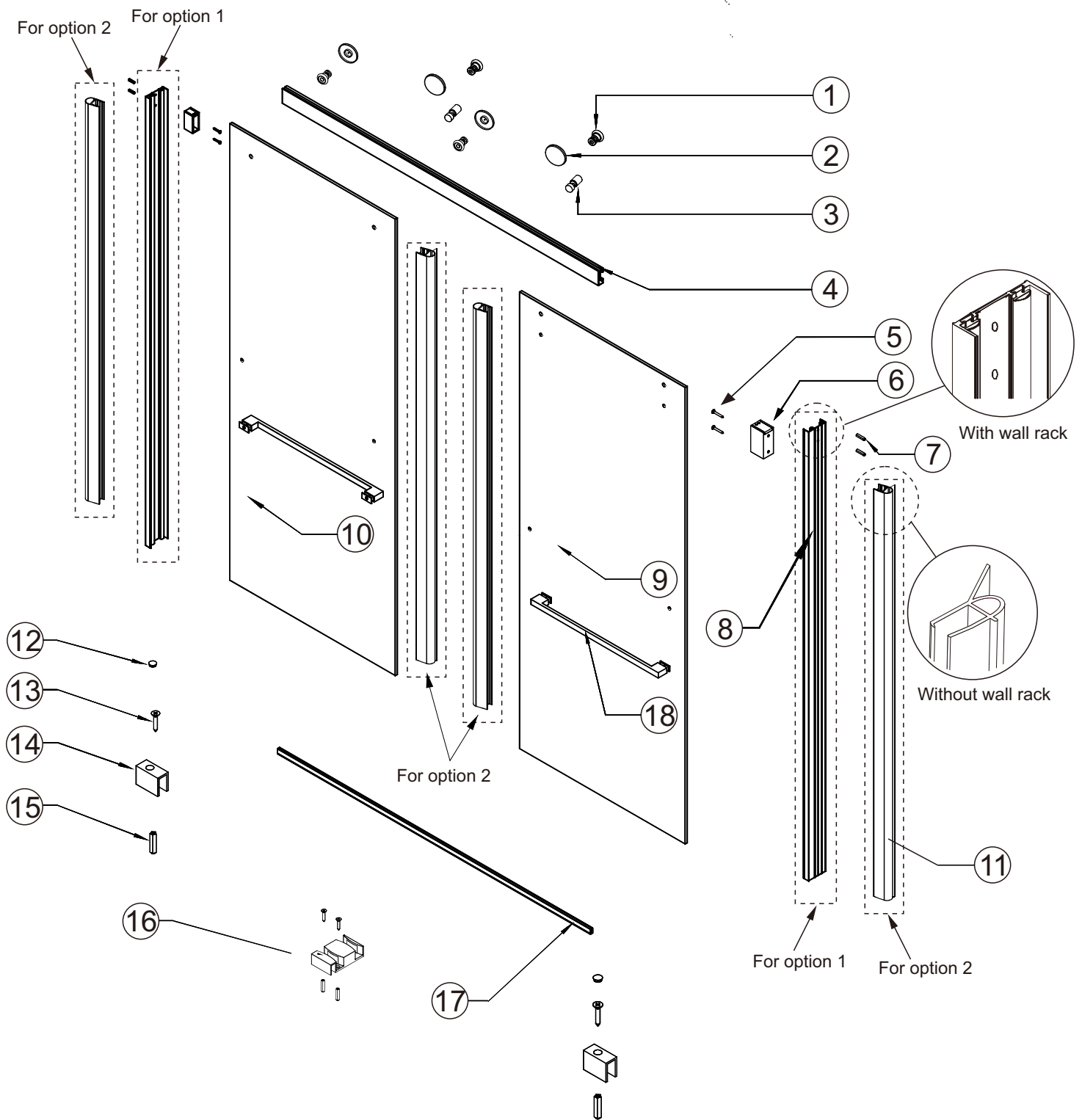


- You will need at least two people to install this unit properly.
- Before beginning assembly of product, make sure all parts are present. Compare parts with package contents list and hardware contents list. If any part is missing or damaged, do not attempt to assemble the product.
- Estimated Assembly Time: 2 hours

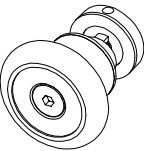
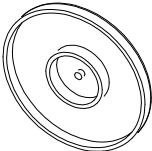
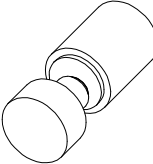
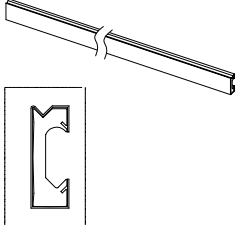
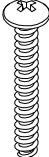
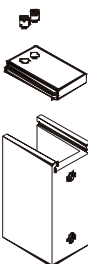

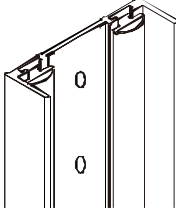
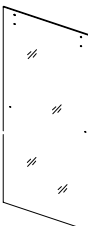
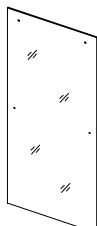
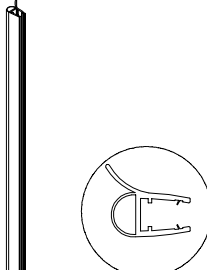
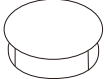
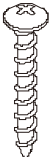
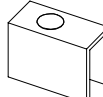
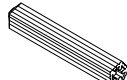
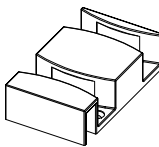
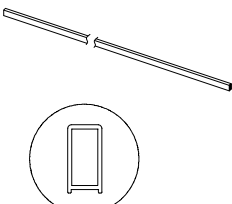
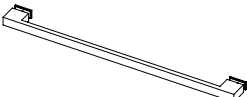
CARE AND MAINTENANCE

- For the daily maintenance, use a wet cloth and a soft liquid cleaner.
- Never use abrasive cleaners containing some acetone, chlorine or strong bleach, scrapers, metallic brushes, nor other objects or the products which can graze or tarnish surfaces.
- Check every 4 months and re-tighten them if necessary.

PACKAGE CONTENT



PACKAGE CONTENT

<p>① 4PC</p> 	<p>② 4PC</p> 	<p>③ 2PC</p> 	<p>④ 1PC</p> 	<p>⑤ 4PC</p>  <p>ST4.8x40</p>
<p>⑥ 2PC</p> 	<p>⑦ 4PC</p>  <p>φ8x40</p>	<p>⑧ 2PC</p> 	<p>⑨ 1PC</p> 	<p>⑩ 1PC</p> 
<p>⑪ 4PC</p> 	<p>⑫ 2PC</p> 	<p>⑬ 4PC</p>  <p>ST3.9x25</p>	<p>⑭ 2PC</p> 	<p>⑮ 4PC</p>  <p>φ6x30</p>
<p>⑯ 1PC</p> 	<p>⑰ 1PC</p> 	<p>⑱* 2PC</p>  <p>*The handles are subject to your choice. The image shown is for reference only.</p>		

PART LIST

Part number	Description	Quantity	Code
1	Roller	4	BRF6080-01
2	Roller Decorative Cap	4	BRF6080-02-XX
3	Roller Guard	2	BRF6080-03-XX
4	Top rail	1	BRF48/60-04-XX
5	Countersunk Screw	4	BRF6080-05
6	Wall bracket	2	BRF6080-06-XX
7	Wall anchor	4	BRF6080-07
8	Wall rack	2	BRF80-08-XX
9	Outside door glass	1	BRF ※ -09-#
10	Inside door glass	1	BRG ※ -10-#
11	Bumper seal strip	4	BRF6080-11
12	Screw cap	2	BRF6080-12-XX
13	Head screw	4	BRF6080-13
14	End cap	2	BRF6080-14-XX
15	Wall anchor	4	BRF6080-15
16	Guide block	1	BRF6080-16-XX
17	Bottom rail	1	BRF48/60-17-XX
18*	Handles	2	

indicate glass finish: C = Clear; L = Low Iron; F = Frost

XX indicate hardware finish: PC = Polished Chrome; BN = Brushed Nickel;

MB = Matte Black;

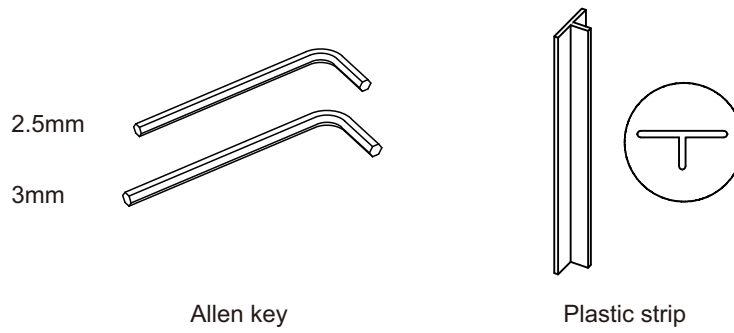
※ indicated different glass size ; 4880 = 48in Width, 80in Height

6080= 60in Width, 80in Height

6070= 60in Width, 70in Height

6062= 60in Width, 62in Height

TOOLS REQUIRED (Supplied)

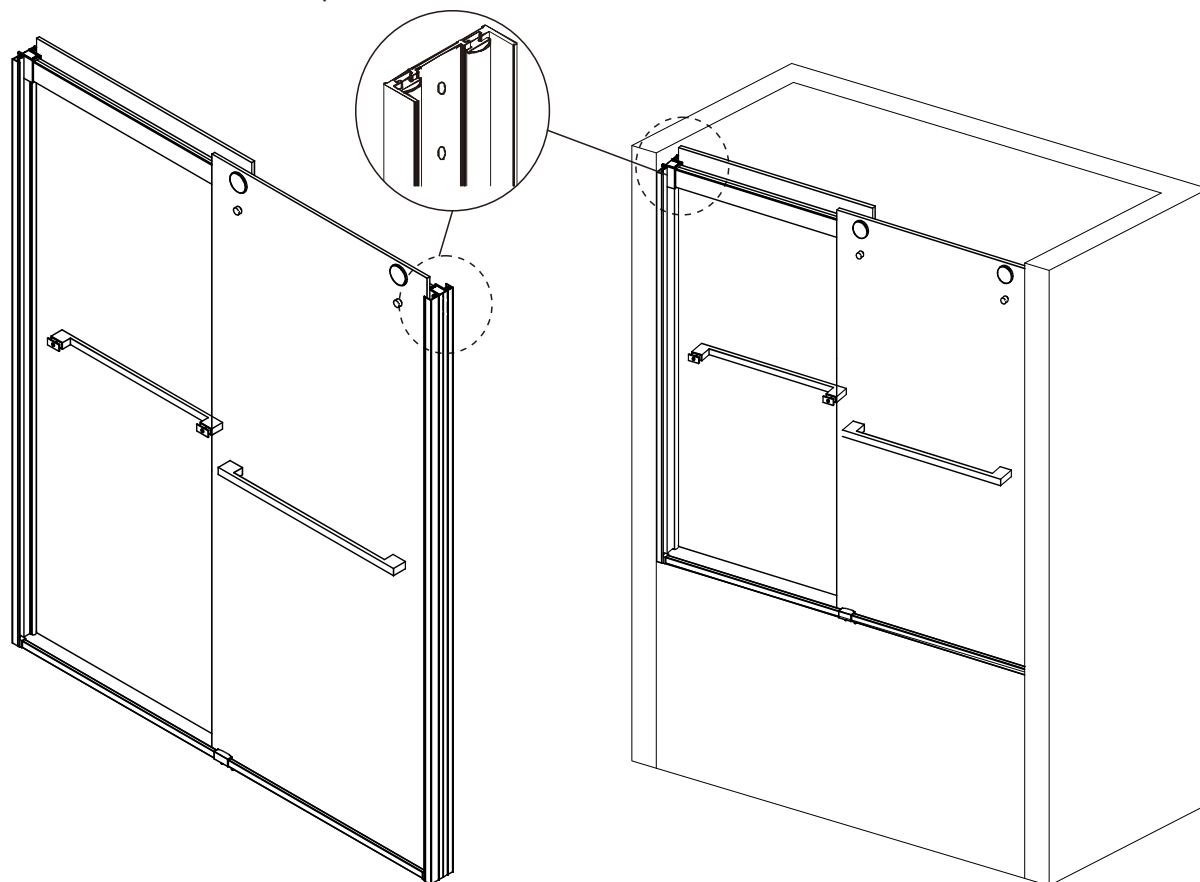


TOOLS REQUIRED (Not Supplied)



OPTION 1-SEMI-FRAMELESS WITH WALL RACK

Option 1-With wall rack



Semi-frameless shower door
installation with wall rack

Semi-frameless tub door
installation with wall rack

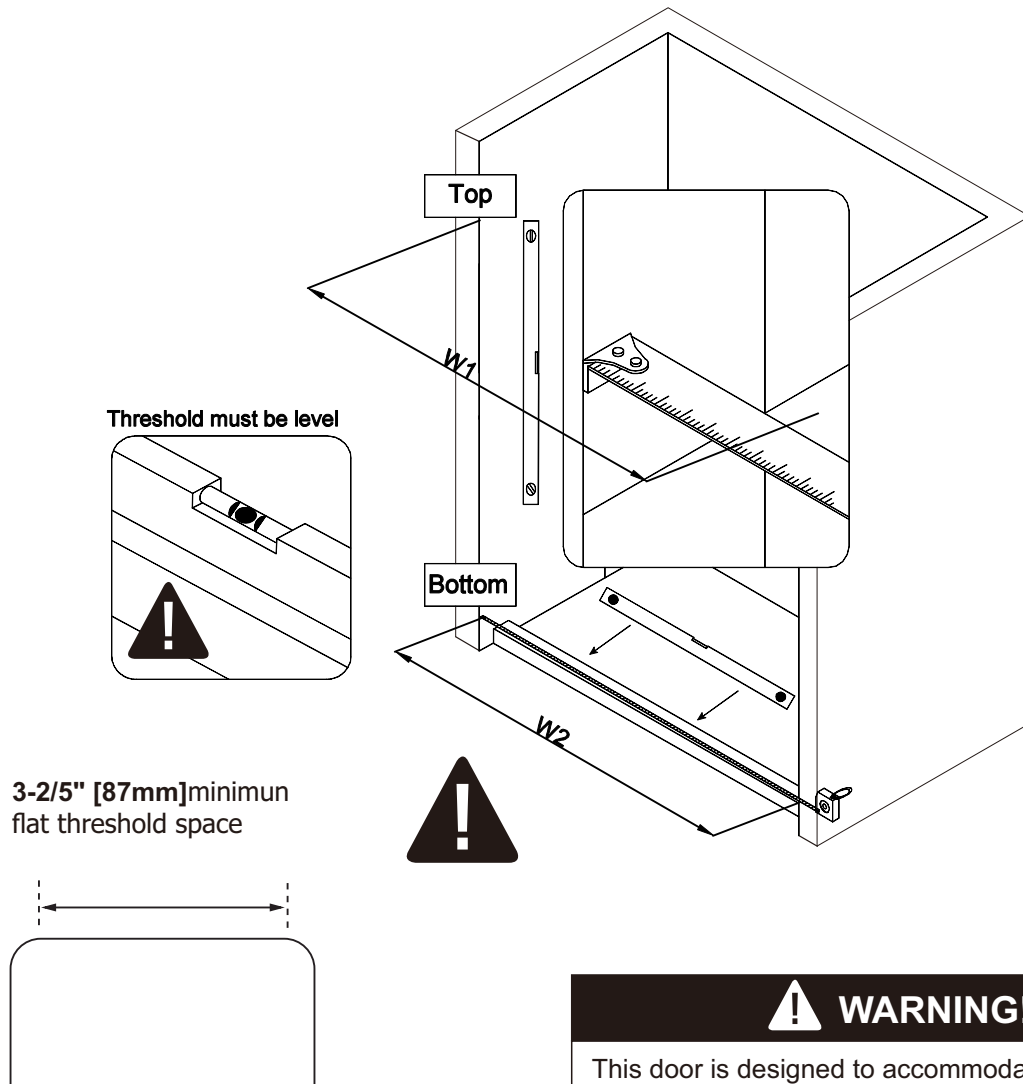
WARNING!

Page 8-15 as option 1 is for semi-frameless installation steps with wall rack required.

If you prefer frameless installation as option 2, please go to page 16-23.

INSTALLATION STEPS (OPTION 1 WITH WALL RACK)

1. Measure the finished opening width at the bottom and the model height. Use these dimensions as "W1" (top) and "W2" (bottom).



! WARNING!

This door is designed to accommodate walls that are less than 3/8"[10mm] out of plumb. The door may not function properly if the wall is more than 3/8"[10mm] out of plumb.

! WARNING!

This door requires a minimum 3-2/5"[87mm] of flat threshold space for installation.

! WARNING!

The threshold must be level. The door may not function properly if the threshold is out-of-level.

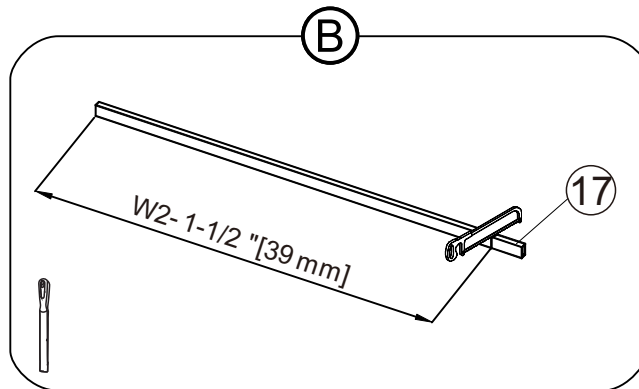
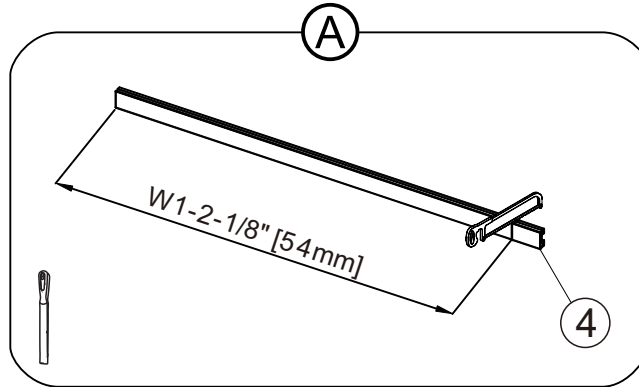
INSTALLATION STEPS (OPTION 1 WITH WALL RACK)

2. Cut the top rail (4) and bottom rail (17) to fit the opening using either a miter or a hacksaw.

A. Cut the top rail (4) to: $W1-2-1/8"$ [54mm].

B. Cut the bottom rail (17) to: $W2-1-1/2"$ [39mm].

C. Use a metal file to remove any burrs from the cut ends.



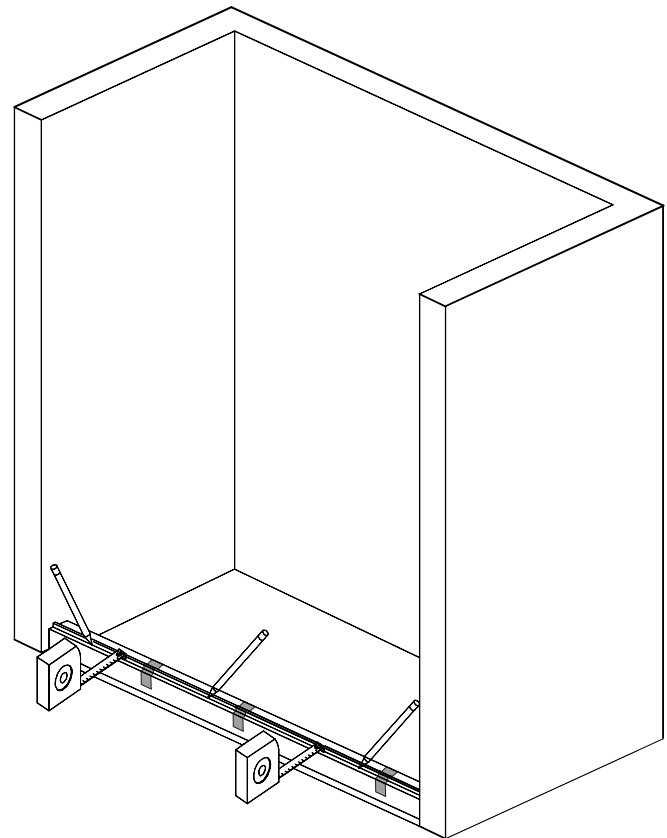
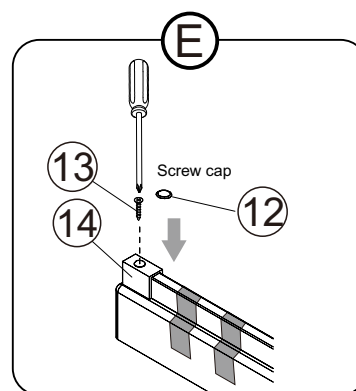
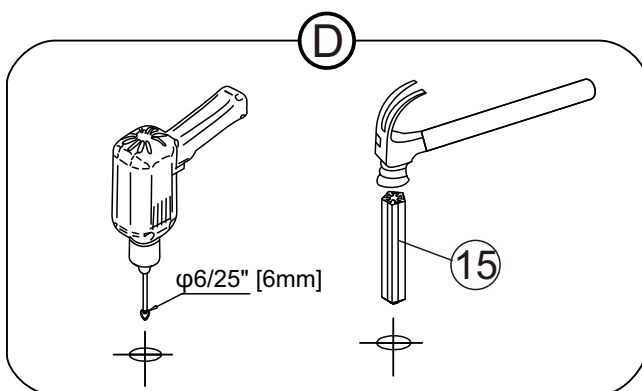
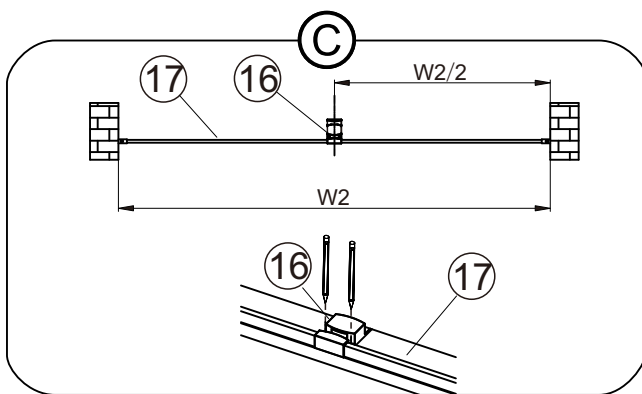
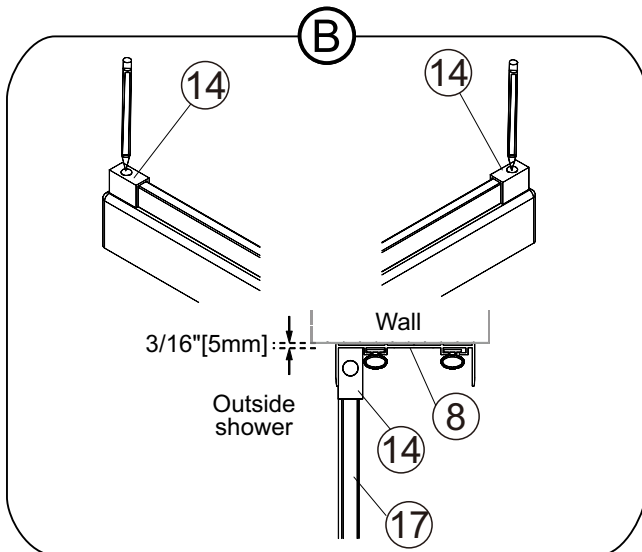
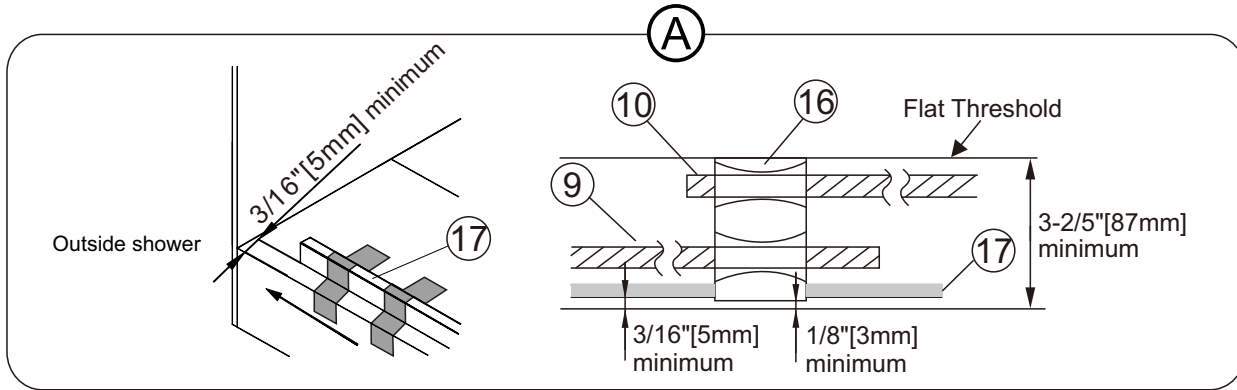
! NOTE!

Remove the protective film on the hardware before cutting and installation.

INSTALLATION STEPS (OPTION 1 WITH WALL RACK)

3. Install the bottom rack (17).

- Position bottom rail (17) as illustrated. Use tape to secure it.
- Position End cap (14) and mark its hole positions.
- Position Guide block (16) at the center of bottom rail and mark its hole positions.
- Remove Guide block, End cap, and Bottom rail. Drill pilot holes in the marked locations with 6mm drill bit.
- Place bottom rail on the threshold. Secure the end cap by screw. Put screw cap on end cap. The guide block would be installed later in Step 6C.

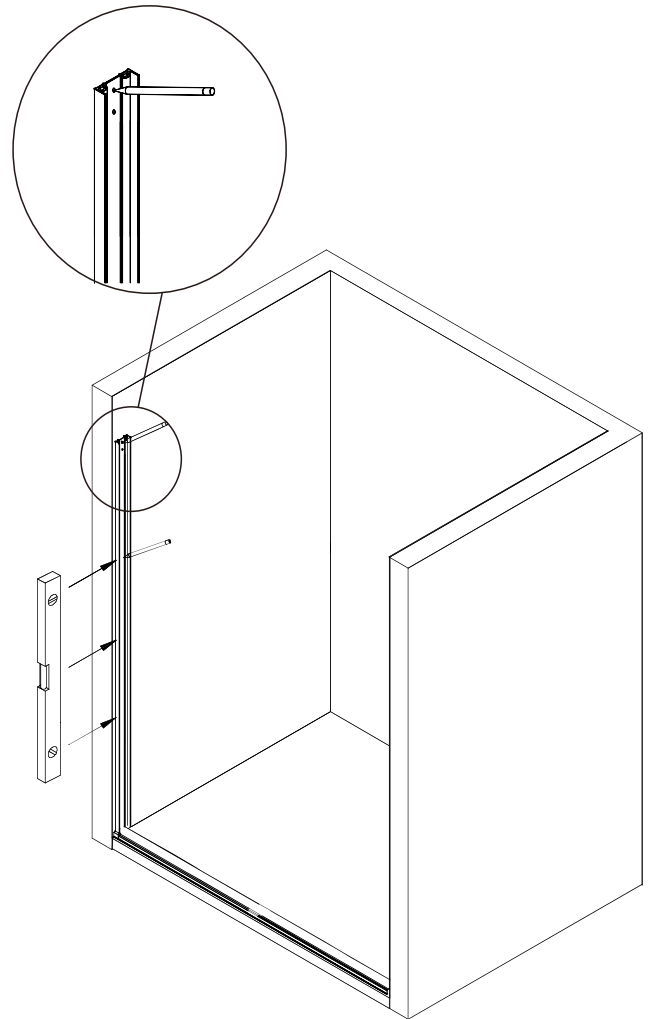
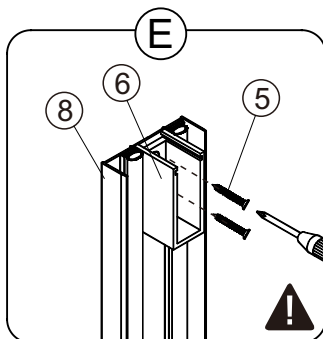
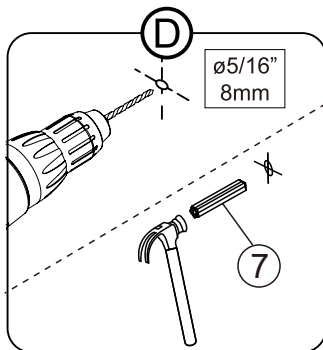
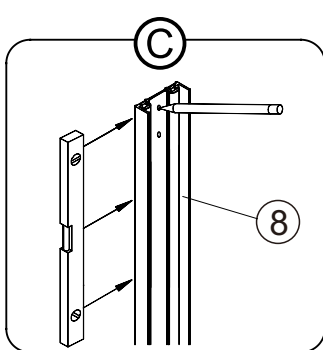
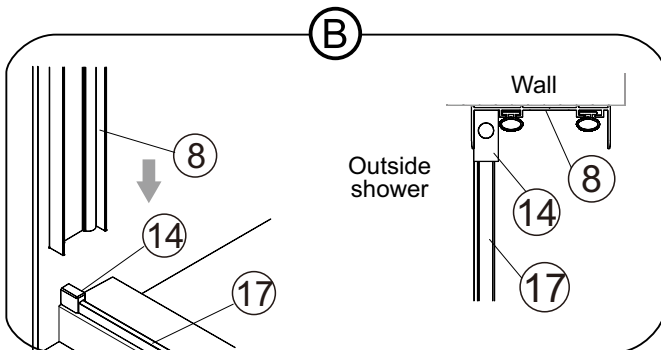
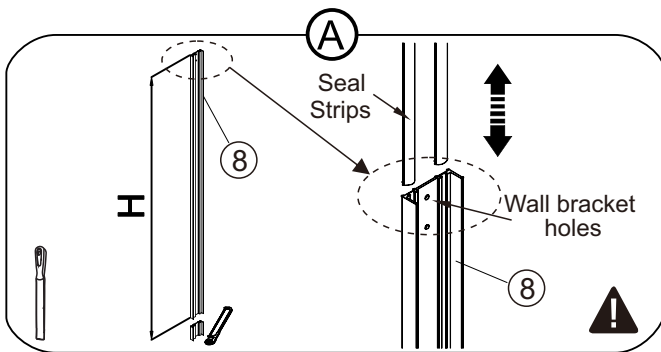


INSTALLATION STEPS (OPTION 1 WITH WALL RACK)

4. Install the wall rack (8) and wall bracket (6).

- See Table 1. Check whether the wall rack need to be cut. Cut the wall rack to specific length "H" if needed. Remove the 2 seal strips before cutting wall rack. Cut the seal strips to the same length and assemble it with wall rack after the cut.
- Place wall rack (8) onto the base. Make sure the end cap (14) sit inside the slot of wall rack.
- Make sure the wall rack is plumb. Mark the wall bracket hole position.
- Remove wall bracket (8). Drill pilot holes with 8mm drill bit. If there are no studs located behind the rail bracket, then install the wall anchors (7).
- Re-position wall rack. Place wall bracket (6) onto the wall rack (8). The holes on wall bracket are align with pre-drilled holes on wall rack. Secure the wall bracket (6) and wall rack (8) with screws.

No.	Type	Model	Total Height	Need to Cut?	H(Wall rack height after cutting)
1	Shower Door	48"x80"	80"	No	n/a
2	Tub Door	60"x62"	62"	Yes	60-7/25" (1531mm)
3	Shower Door	60"x70"	70"	Yes	68-3/11" (1734mm)
4	Shower Door	60"x80"	80"	No	n/a



⚠ WARNING!

DO NOT cut the end of wall rack with 2 pre-drilled holes. Cut the end without pre-drilled holes only.

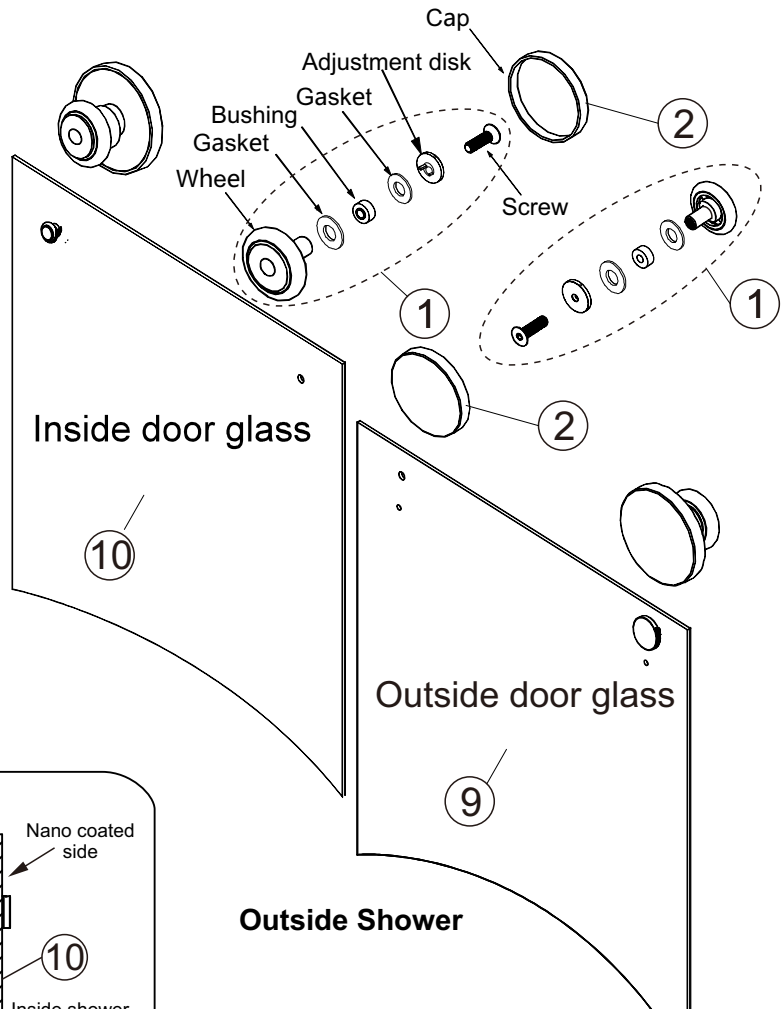
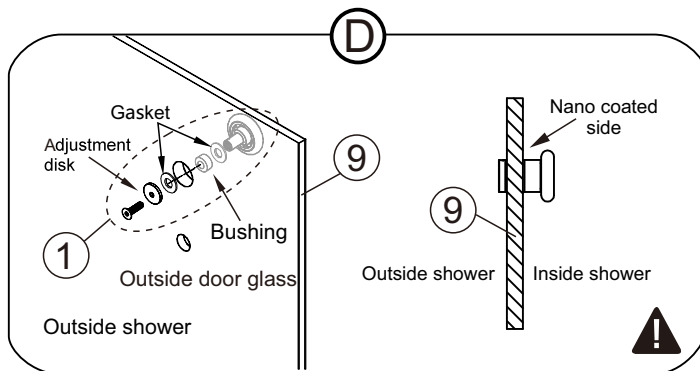
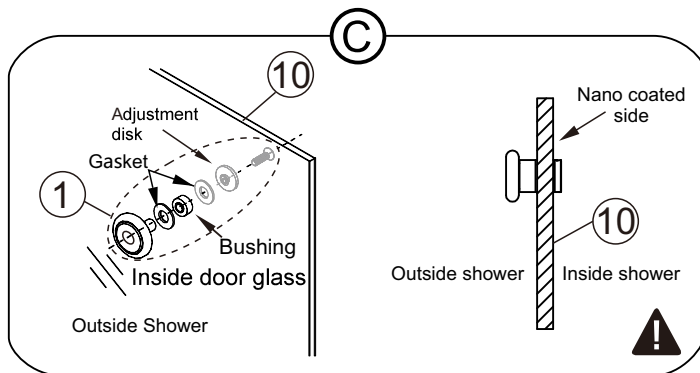
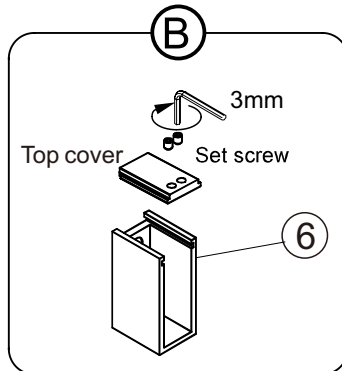
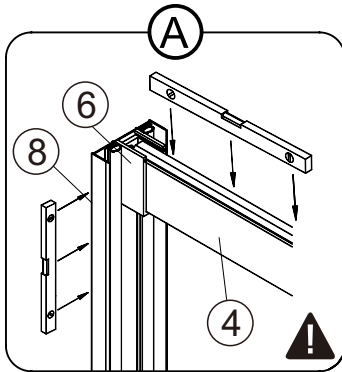
⚠ WARNING!

Do not overtighten the screws as it may deform the wall rack.

INSTALLATION STEPS (OPTION 1 WITH WALL RACK)

5. Install top rail and rollers.

- A. Place top rail (4) onto wall bracket (6). Make sure it is level.
- B. Place the bracket top cover onto the wall bracket and secure top cover by set screws.
- C. Install top rollers onto the inside door glass. Make sure the wheel face outside shower and the adjustment disk face inside shower.
- D. Install top rollers onto the outside door glass. Make sure the wheel face inside shower and the adjustment disk face outside shower.



Outside Shower

⚠ WARNING!

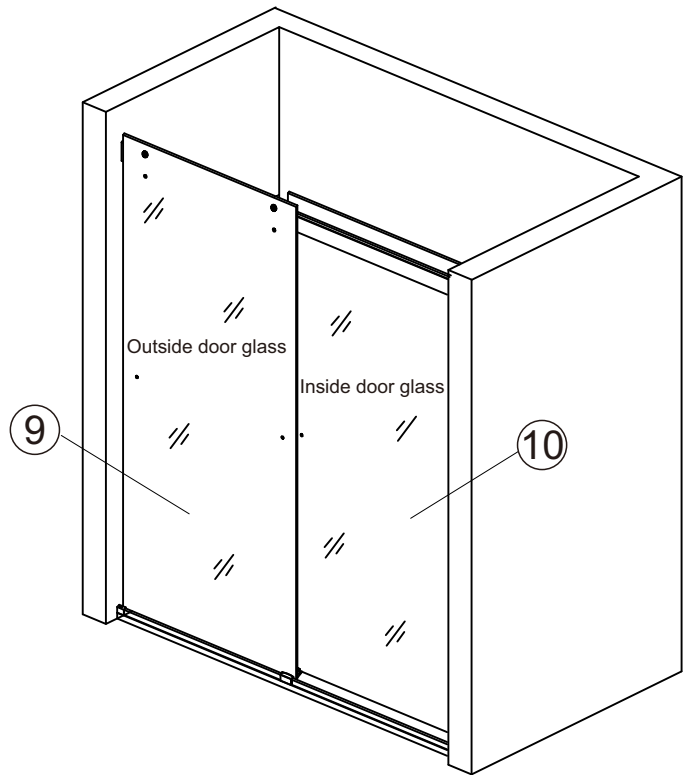
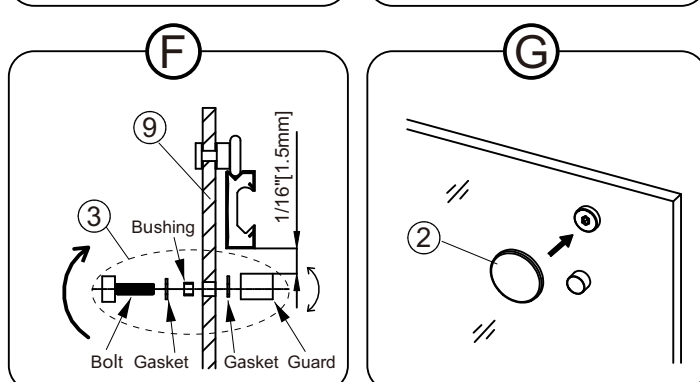
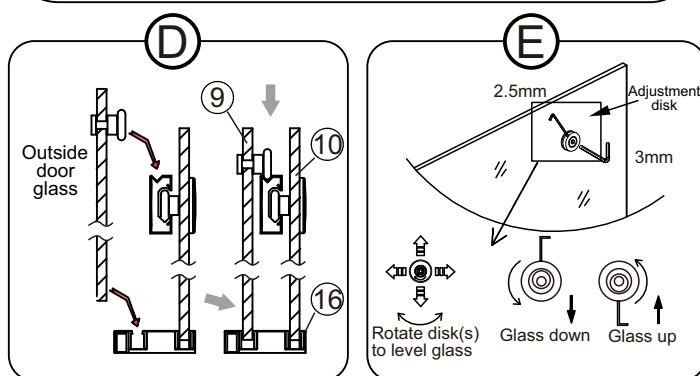
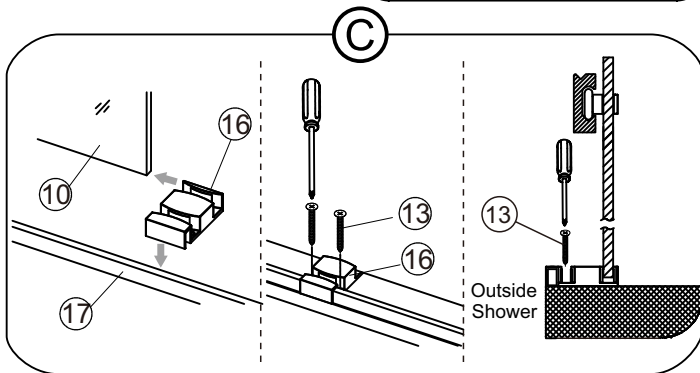
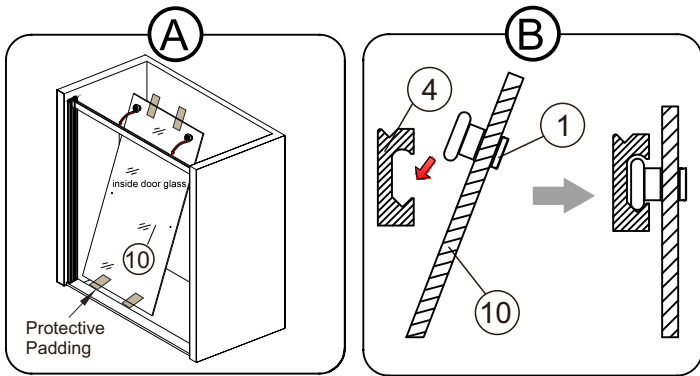
Make sure the side of top rail without slot face outside.

⚠ WARNING!

Make sure the side of the glass with nano coating faced to inside shower as indicated on the label.

INSTALLATION STEPS (OPTION 1 WITH WALL RACK)

6. Install the inside door glass (10) and outside door glass (9).
 - A. Place inside glass doors (10) into the shower opening. Place outside glass door outside the shower opening. Use wooden shims or padding to protect the glass and wall surface.
 - B. Place the roller wheel of inside door glass into the slot of top rail.
 - C. Slide the inside door glass into the guide block. Place the guide block at the center of bottom rail. Secure guide block by screw.
 - D. Place the roller wheel of outside door glass onto the top of top rail. Make sure the glass is inside the guide block.
 - E. Adjust the level of the door glass using the eccentric mechanism of the rollers. Fit 3mm allen key into the center of wheel, hold it in place, do not turn it, as it will loosen the roller. Fit the 2.5mm allen key in the small hole located on the rim. While holding the 3mm allen key in place turn the 2.5mm allen key around to move the glass panel around until it is level and plumb.
 - F. Install the roller guard (3) onto the outside door glass (9). Adjust the height of roller guard by rotating the guard to have 1/16" [1.5mm] gap between the bottom of top rail and the top of roller guard.
 - G. Place the decorative cap onto the rollers.



! WARNING!

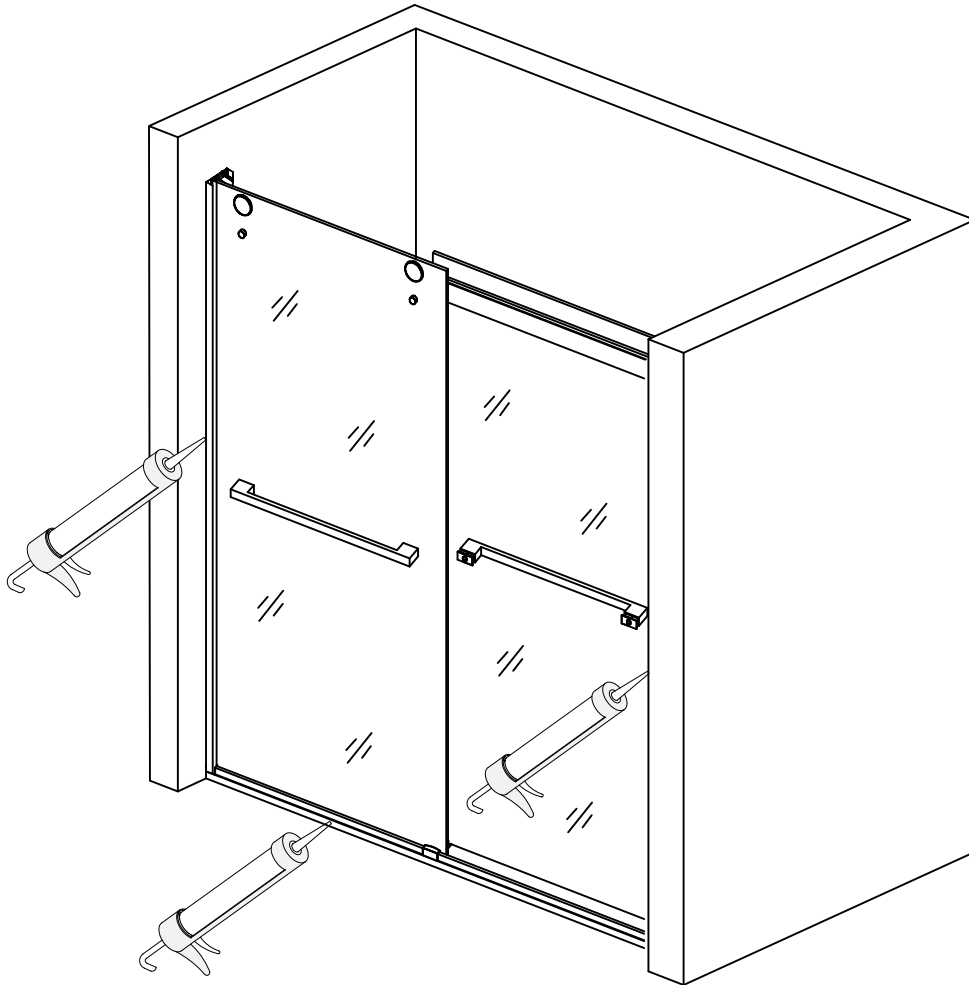
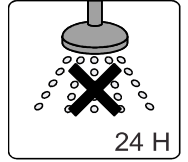
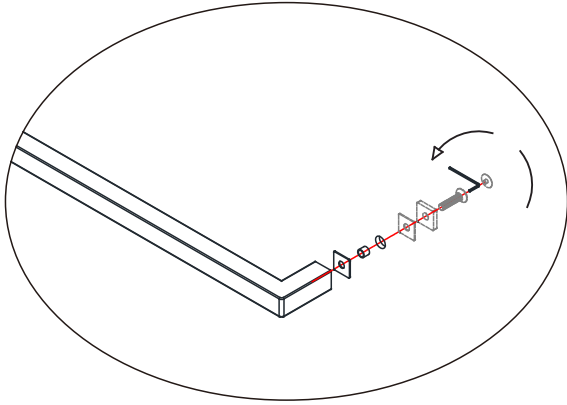
To reduce the risk of breakage, keep corner protectors on glass while installing.

! WARNING!

Make sure the side of the glass with nano coating faced to shower as indicated on the label.

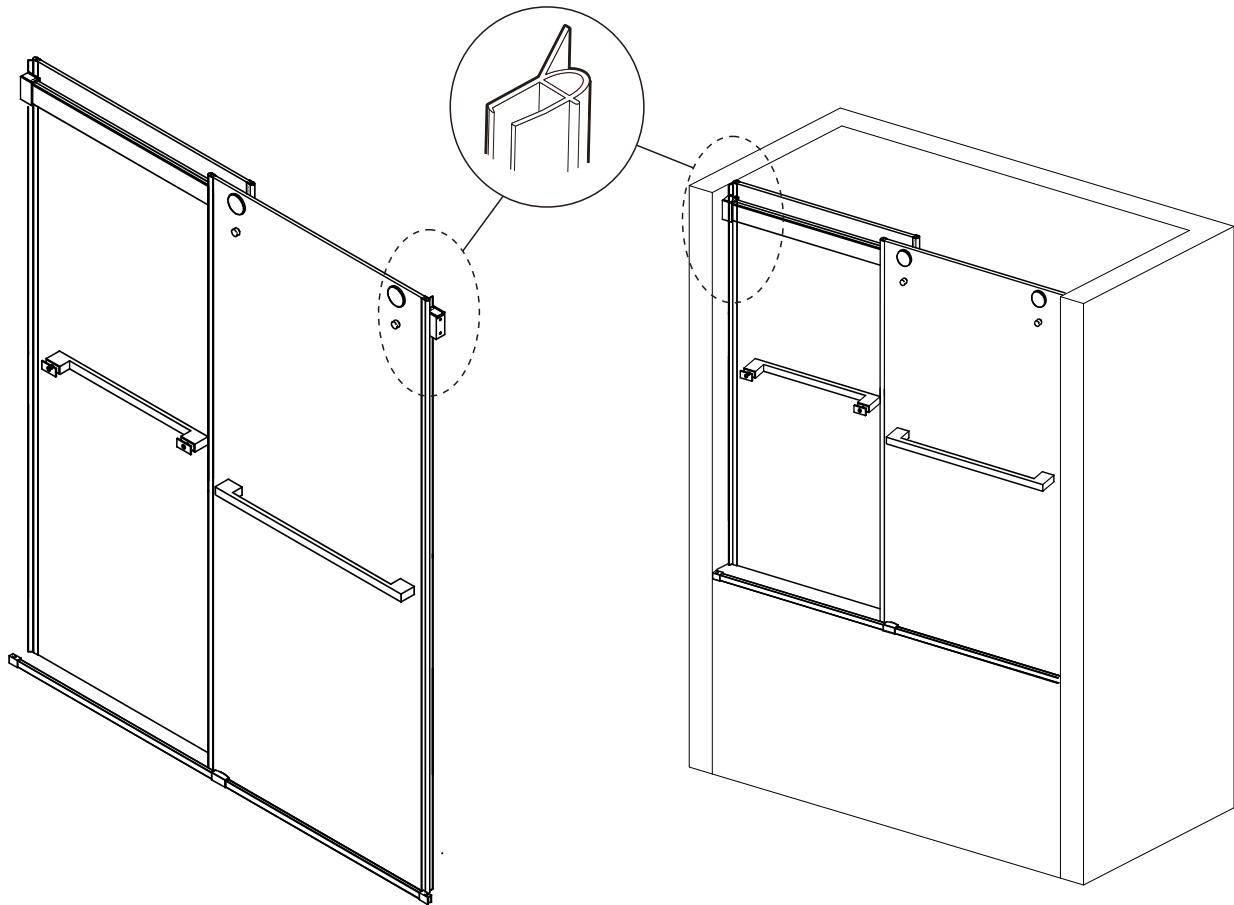
INSTALLATION STEPS (OPTION 1 WITH WALL RACK)

7. Install the door handle. Be sure to use all of the supplied rubber gaskets to protect the glass.
Apply a good quality mildew-resistant silicone caulk on the walls and threshold along the bottom profile and wall profiles.
Allow 24 hours to cure fully before using the shower.



OPTION 2- FRAMELESS WITHOUT WALL RACK

Option 2-Without wall rack



Frameless shower door
installation without wall rack

Frameless tub door installation
without wall rack

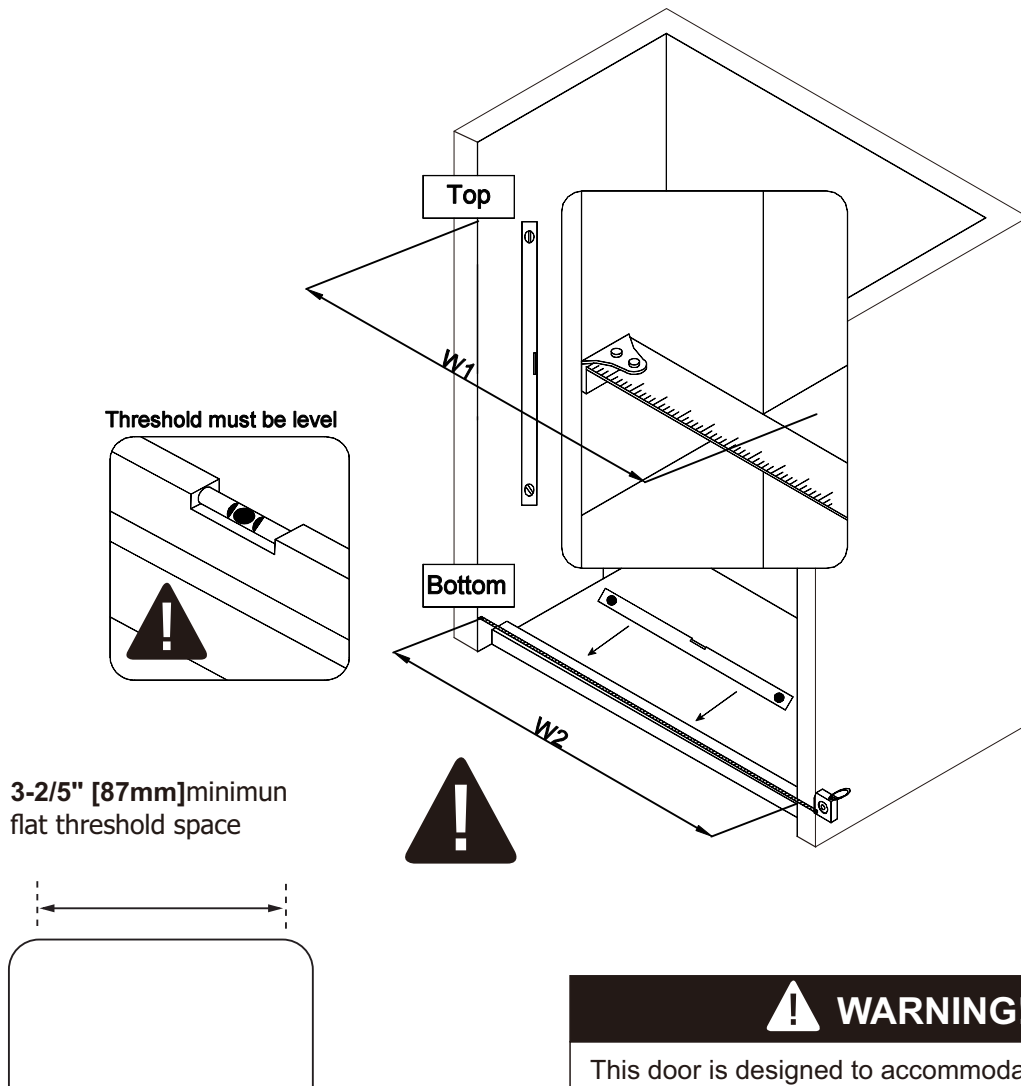
WARNING!

Page 16-23 as option 2 is for frameless installation steps without wall rack required.

If you prefer semi-frameless installation as option 1, please go to page 8-15.

INSTALLATION STEPS (OPTION 2 WITHOUT WALL RACK)

1. Measure the finished opening width at the bottom and the model height. Use these dimensions as "W1" (top) and "W2" (bottom).



! WARNING!

This door is designed to accommodate walls that are less than 3/8"[10mm] out of plumb. The door may not function properly if the wall is more than 3/8"[10mm] out of plumb.

! WARNING!

This door requires a minimum 3-2/5"[87mm] of flat threshold space for installation.

! WARNING!

The threshold must be level. The door may not function properly if the threshold is out-of-level.

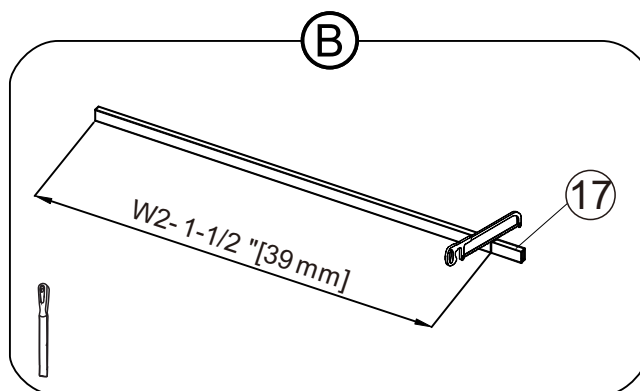
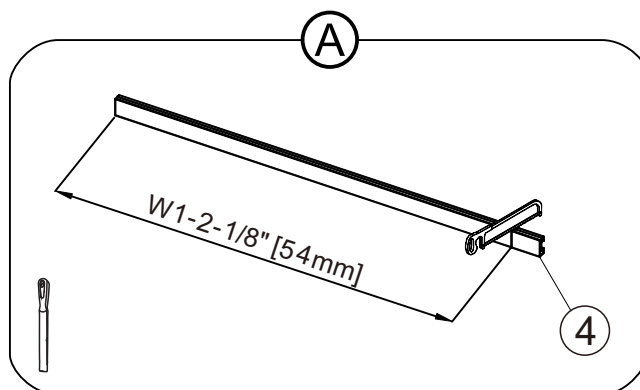
INSTALLATION STEPS (OPTION 2 WITHOUT WALL RACK)

2. Cut the top rail (4) and bottom rail (17) to fit the opening using either a miter or a hacksaw.

A. Cut the top rail (4) to: W1-2-1/8" [54mm].

B. Cut the bottom rail (17) to: W2-1-1/2" [39mm].

C. Use a metal file to remove any burrs from the cut ends.



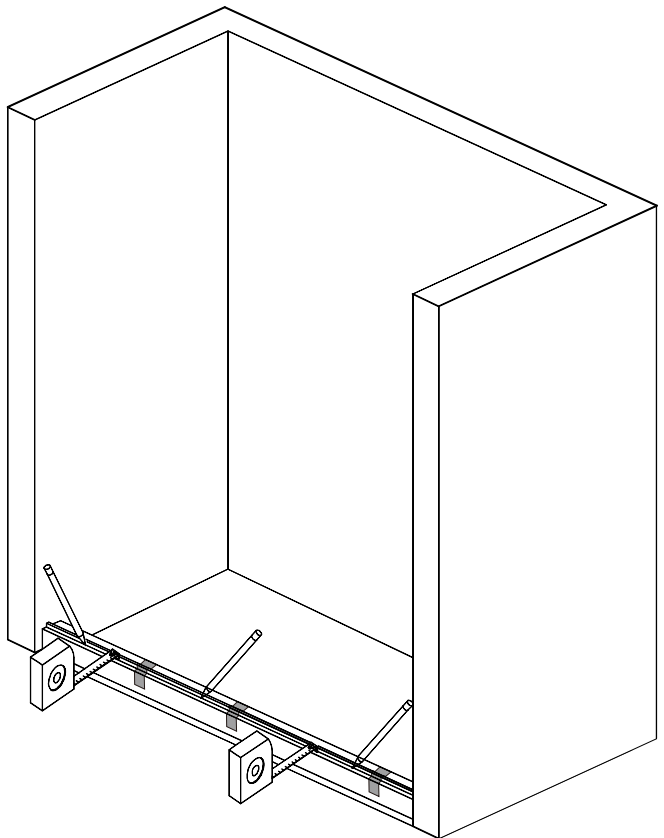
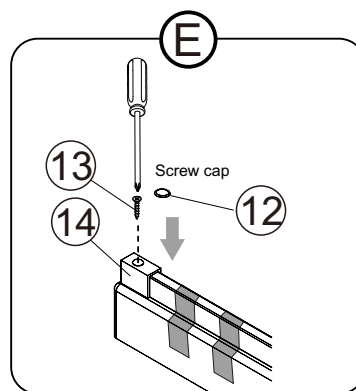
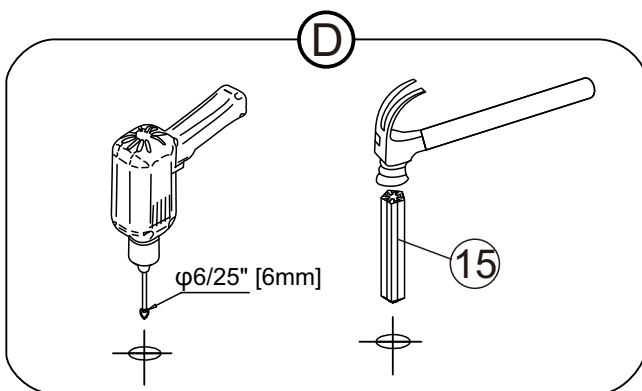
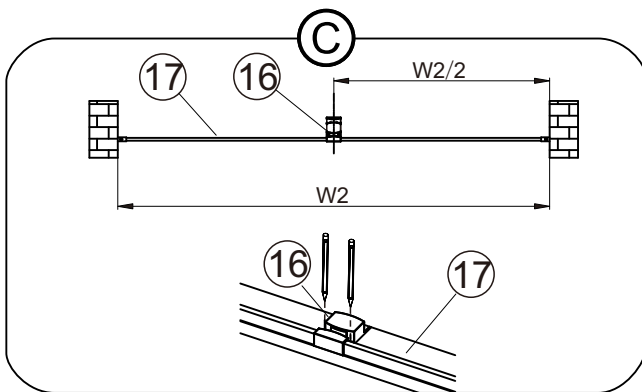
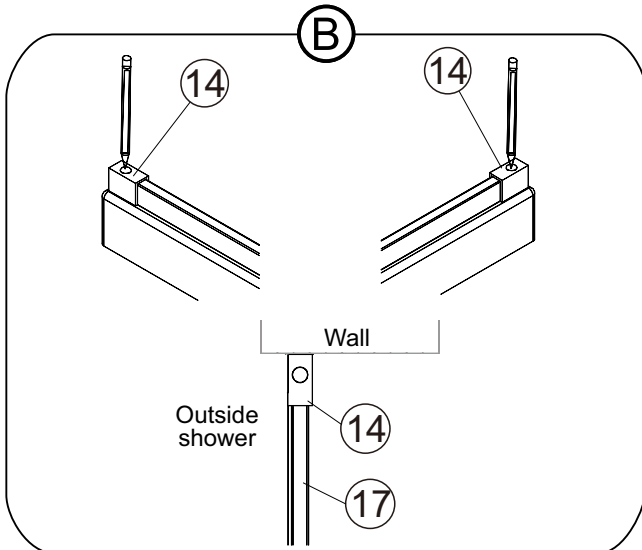
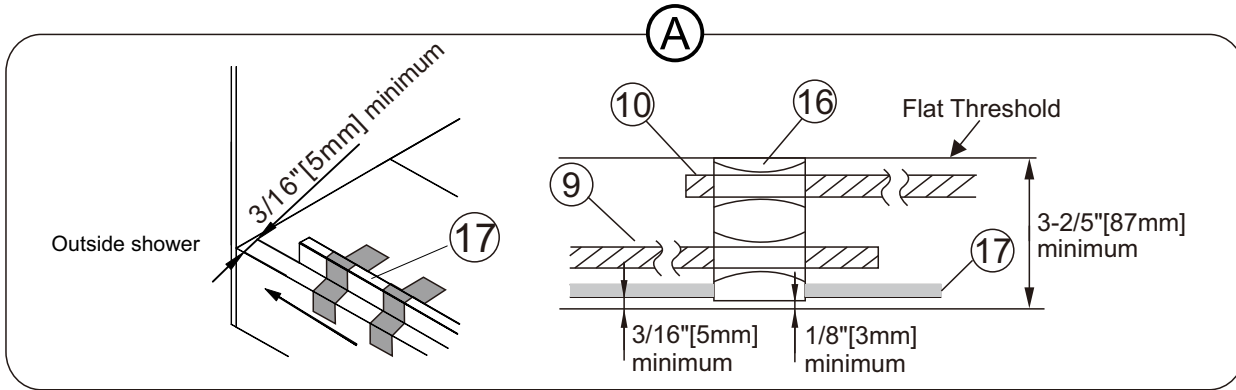
! NOTE!

Remove the protective film on the hardware before cutting and installation.

INSTALLATION STEPS (OPTION 2 WITHOUT WALL RACK)

3. Install the bottom rack (17).

- Position bottom rail (17) as illustrated. Use tape to secure it.
- Position End cap (14) and mark its hole positions.
- Position Guide block (16) at the center of bottom rail and mark its hole positions.
- Remove Guide block, End cap, and Bottom rail. Drill pilot holes in the marked locations with 6mm drill bit.
- Place bottom rail on the threshold. Secure the end cap by screw. Put screw cap on end cap. The guide block would be installed later in Step 6C.

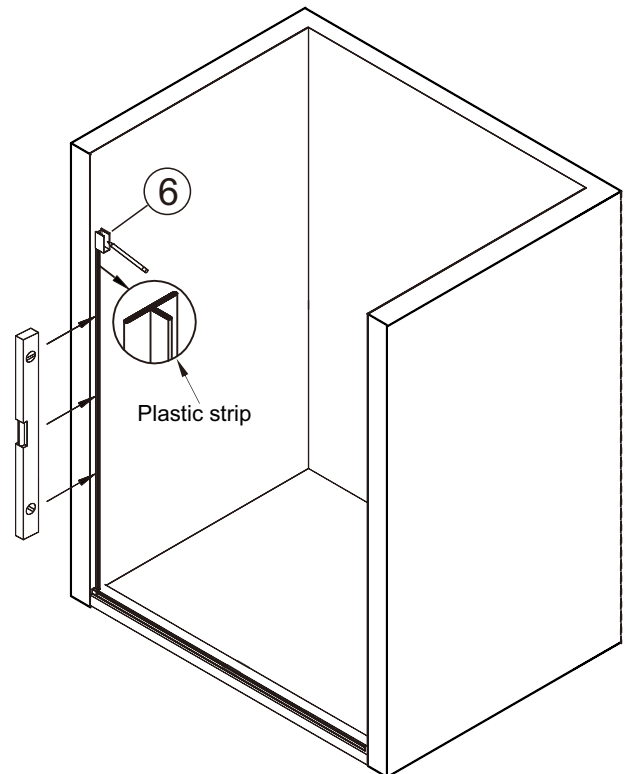
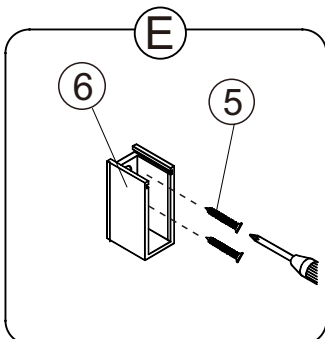
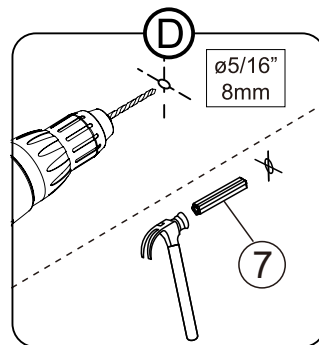
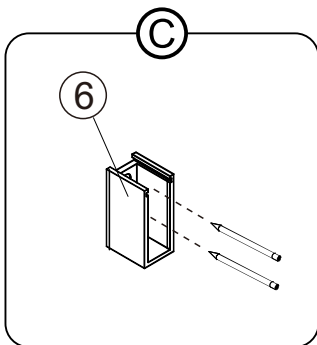
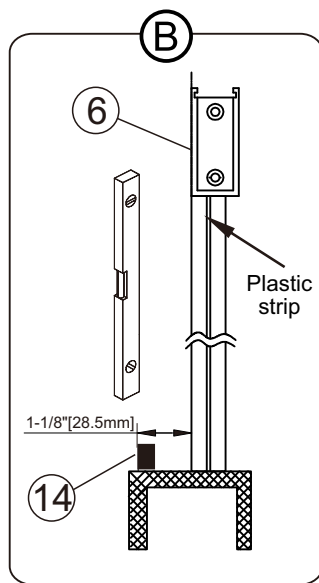
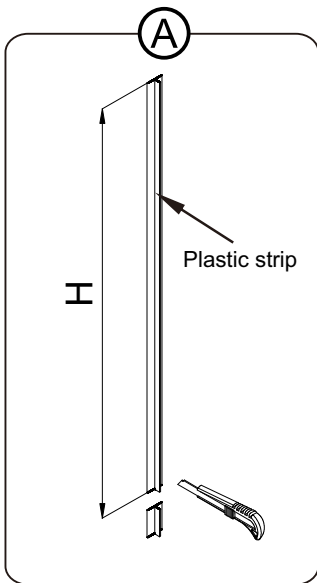


INSTALLATION STEPS (OPTION 2 WITHOUT WALL RACK)

4. Install wall bracket (6).

- A. See Table 2. Check whether the plastic strip need to be cut. Cut the strip to specific length if needed. Cut from either side is ok.
- B. Place plastic strip and wall bracket in position as illustrated.
- C. Make sure the plastic strip is plumb. Mark the wall bracket hole position.
- D. Remove wall bracket (8). Drill pilot holes with 8mm drill bit. If there are no studs located behind the rail bracket, then install the wall anchors (7).
- E. Re-position wall rack. Secure the wall bracket (6) with screws.

No.	Type	Model	Total Height	Need to Cut?	H (Plastic strip height after cutting)
1	Shower Door	48"x80"	80"	No	n/a
2	Tub Door	60"x62"	62"	Yes	57-1/2" (1460mm)
3	Shower Door	60"x70"	70"	Yes	65-1/2" (1663mm)
4	Shower Door	60"x80"	80"	No	n/a



INSTALLATION STEPS (OPTION 2 WITHOUT WALL RACK)

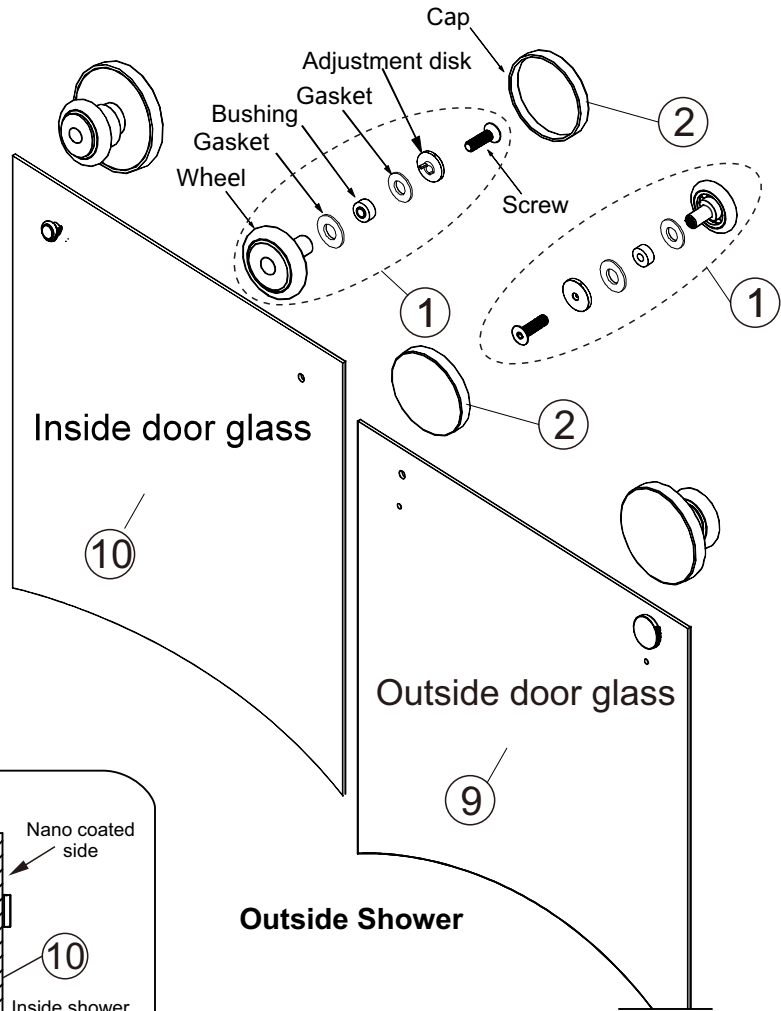
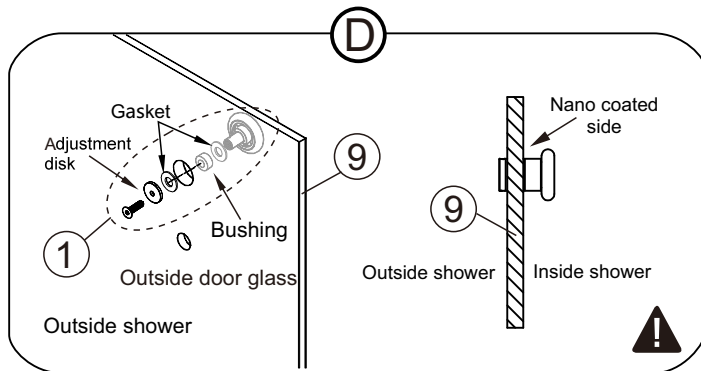
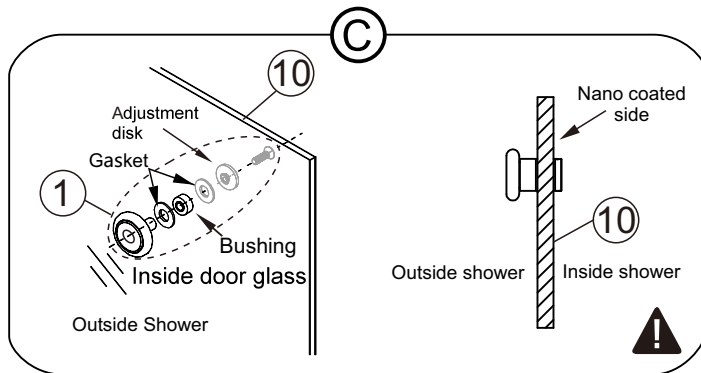
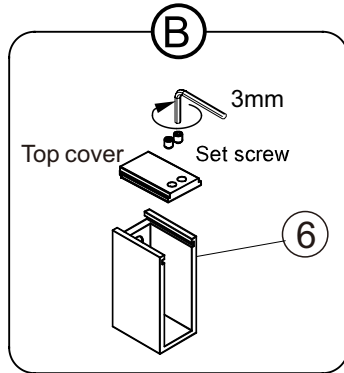
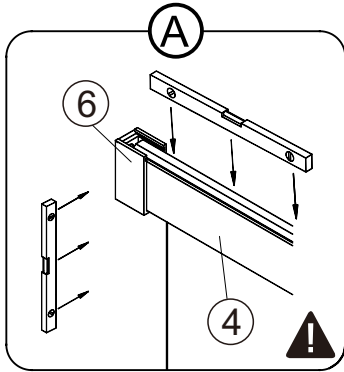
5. Install top rail and rollers.

A. Place top rail (4) onto wall bracket (6). Make sure it is level.

B. Place the bracket top cover onto the wall bracket and secure top cover by set screws.

C. Install top rollers onto the inside door glass. Make sure the wheel face outside shower and the adjustment disk face inside shower.

D. Install top rollers onto the outside door glass. Make sure the wheel face inside shower and the adjustment disk face outside shower.



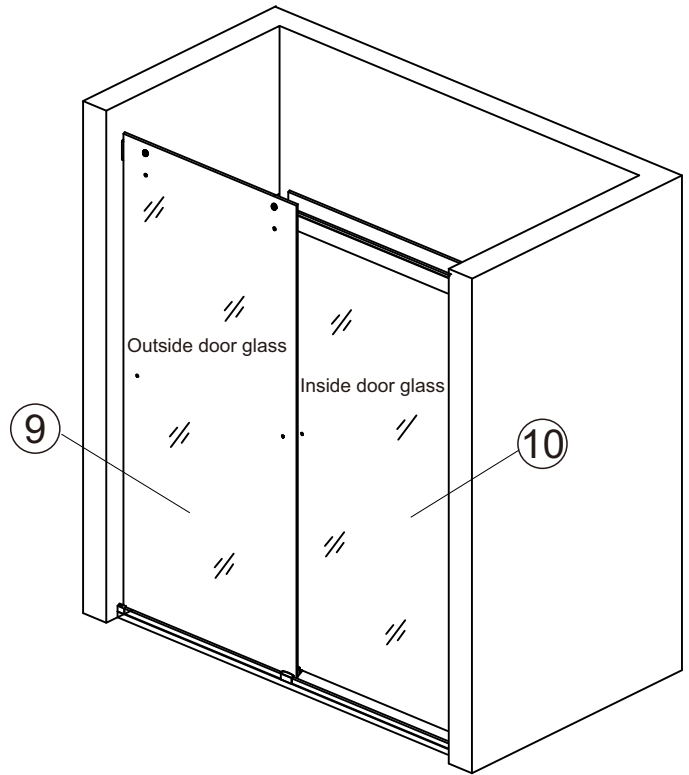
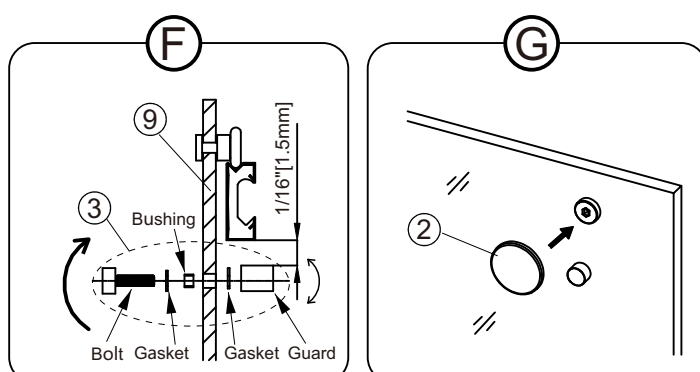
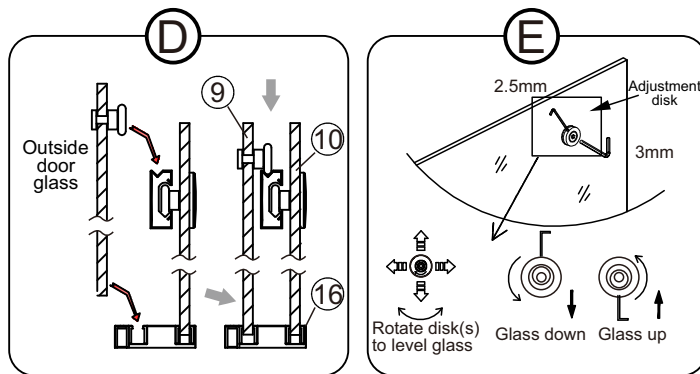
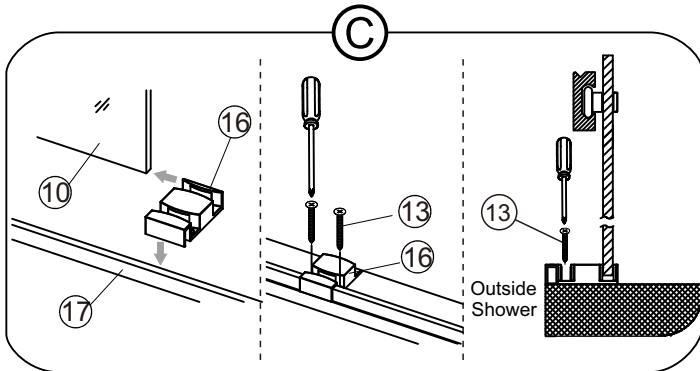
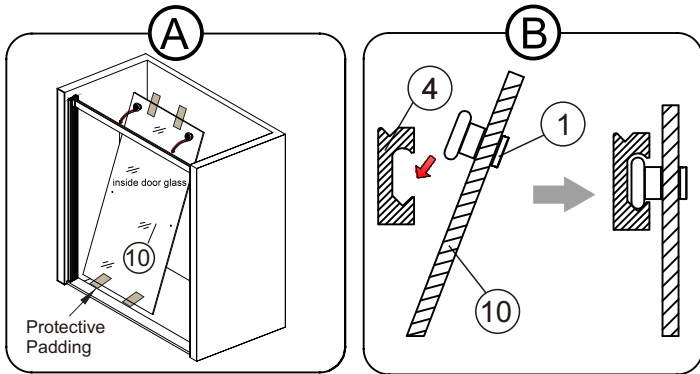
Outside Shower

! WARNING!
Make sure the side of top rail without slot face outside.

! WARNING!
Make sure the side of the glass with nano coating faced to inside shower as indicated on the label.

INSTALLATION STEPS (OPTION 2 WITHOUT WALL RACK)

6. Install the inside door glass (10) and outside door glass (9).
 - A. Place inside glass doors (10) into the shower opening. Place outside glass door outside the shower opening. Use wooden shims or padding to protect the glass and wall surface.
 - B. Place the roller wheel of inside door glass into the slot of top rail.
 - C. Slide the inside door glass into the guide block. Place the guide block at the center of bottom rail. Secure guide block by screw.
 - D. Place the roller wheel of outside door glass onto the top of top rail. Make sure the glass is inside the guide block.
 - E. Adjust the level of the door glass using the eccentric mechanism of the rollers. Fit 3mm allen key into the center of wheel, hold it in place, do not turn it, as it will loosen the roller. Fit the 2.5mm allen key in the small hole located on the rim. While holding the 3mm allen key in place turn the 2.5mm allen key around to move the glass panel around until it is level and plumb.
 - F. Install the roller guard (3) onto the outside door glass (9). Adjust the height of roller guard by rotating the guard to have 1/16" [1.5mm] gap between the bottom of top rail and the top of roller guard.
 - G. Place the decorative cap onto the rollers.



! WARNING!
To reduce the risk of breakage, keep corner protectors on glass while installing.

! WARNING!
Make sure the side of the glass with nano coating faced to shower as indicated on the label.

INSTALLATION STEPS (OPTION 2 WITHOUT WALL RACK)

7. Install bumper seal strip and the door handle.

A. Cut the bumper seal strip if needed to same height of glass. Cut from either side is OK.

B. Install bumper seal strip as illustrated on both ends of glass panels.

C. Install door handle. Be sure to use all of the supplied rubber gaskets to protect the glass. Apply a good quality mildew-resistant silicone caulk on the walls and threshold along the bottom profile and wall profiles. Allow 24 hours to cure fully before using

