

W H I T E  
S T O N E

AXA ONE S.r.l.

Via Gargarasi - Zona Industriale  
01033 Civita Castellana, VITERBO ITALY  
Tel. +39 0761.540175 Fax +39 0761.540721  
axaone@axaone.it  
www.axaone.it

**GIGA** : LAVABO SOSPESO

WALLHUNG BASIN

CODICE/CODE: **WS05601F**

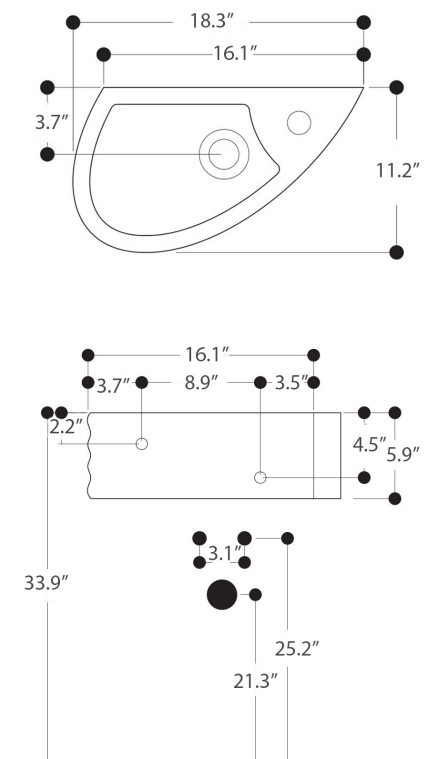
CODICE/CODE: **WSB5601F** con foro troppo pieno with over flow

MISURE/SIZE: **46,5x25,5 H15 CM**

PESO/WEIGHT: **7,8 KG**

N.B.: Le misure indicate possono subire una variazione dello 0,8 % circa, dovuta ad usura stampi o a piccole variazioni delle caratteristiche tecniche relative alle materie prime che compongono l'impasto.

N.B.: Indicated size could have a variation of about 0,8 % due to the usure of the moulds or the small variations of the raw materials' technical characteristics used in the mixture.



Collection  
Whitestone

Model |  
Giga

Dimensions Metric

1 inch = 2.54 cm  
1 inch = 25.4 mm

WS<sup>®</sup>  
BATH  
COLLECTIONS

1051 Lea Drive - Collegeville, PA 19426  
Tel. 215 513 9400 - Fax 610 831 0215  
[www.ws bathcollections.com](http://www.ws bathcollections.com) - [info@ws bathcollections.com](mailto:info@ws bathcollections.com)

We recommend the following items that work with your sink.

## TRAPS



Linea 53922  
*Our best seller*



Linea 5392



Linea 53925



Linea 53921  
*Space saving*

## DRAINS



Linea 53995  
Push waste drain (click clack)  
*without overflow*

## MOUNTING HARDWARE

### Wall-mount installation



Bolts

### Vessel/ countertop installation



Silicone (*optional*)

Collection  
Whitestone

Model |  
Giga

Dimensions Metric  
*1 inch = 2.54 cm*  
*1 inch = 25.4 mm*

**WS**<sup>®</sup>

**BATH  
COLLECTIONS**

1051 Lea Drive - Collegeville, PA 19426  
Tel. 215 513 9400 - Fax 610 831 0215

[www.ws bathcollections.com](http://www.ws bathcollections.com) - [info@ws bathcollections.com](mailto:info@ws bathcollections.com)