



Whitehaven®

Under-Mount Apron-Front Kitchen Sink

K-6486

Features

- 30-inch minimum base cabinet width.
- Acid-resistant enamel finish.
- Under-mount.
- Single bowl.
- No faucet holes.
- Offset drain basin slopes toward drain to minimize water from pooling.

Material

- KOHLER® enameled cast iron.
- Strainer not included.

Recommended Accessories

- K-9000 P-Trap
- K-6638 Sink Rack
- K-6377 Sponge Caddy
- K-6378 Kitchen Brush Caddy
- K-6379 Kitchen Squeegee
- K-6382 Disinfecting Wipes Dispenser
- K-6383 Soap Dispenser
- K-8618 Paper Towel Holder
- K-8619 Flexible Kitchen Mat
- K-8624 Dish Scraper
- K-8801 Sink Strainer
- K-8799 Sink Strainer



Codes/Standards

ASME A112.19.1/CSA B45.2

KOHLER® Enameled Cast Iron Kitchen Sink Lifetime Limited Warranty

See website for detailed warranty information.

Available Color/Finishes

Color tiles intended for reference only.

| Color | Code | Description |
|-------|------|---------------|
| | 0 | White |
| | FF | Sea Salt™ |
| | 96 | Biscuit |
| | 47 | Almond |
| | FD | Cane Sugar™ |
| | NY | Dune |
| | 95 | Ice™ Grey |
| | G9 | Sandbar |
| | K4 | Cashmere |
| | FT | Basalt |
| | 58 | Thunder™ Grey |
| | KA | Black 'n Tan |
| | FP | Caviar |
| | 7 | Black Black™ |

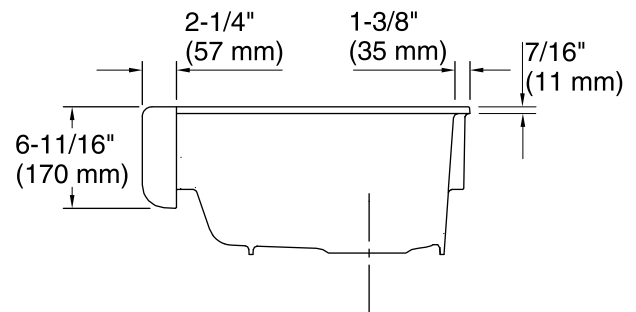
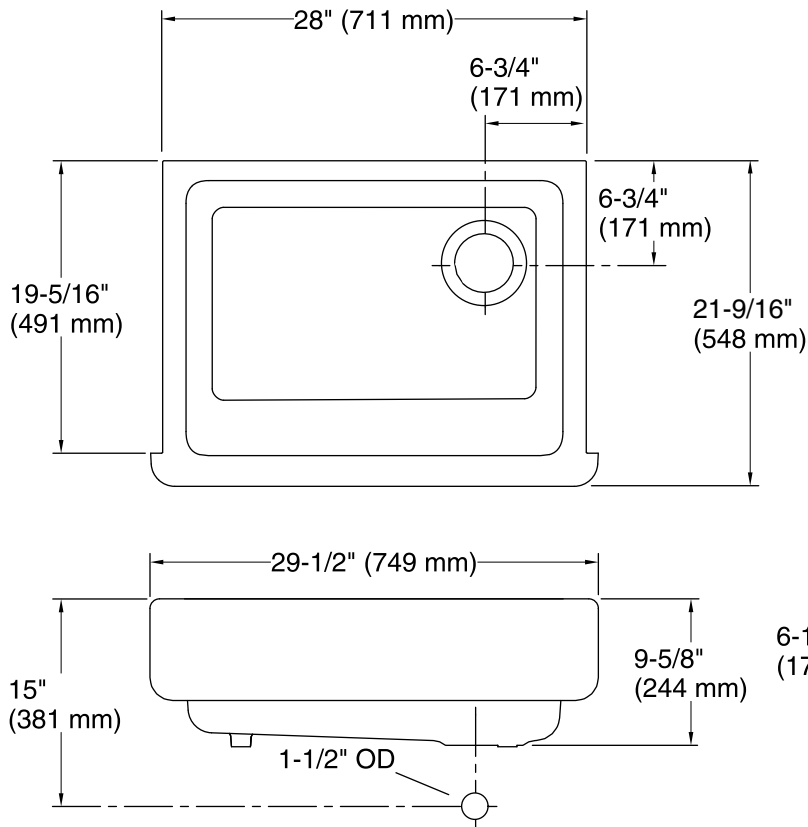
1-800-4KOHLER (1-800-456-4537)

Kohler Co. reserves the right to make revisions without notice to product specifications.

For the most current Specification Sheet, go to www.kohler.com.

9-28-2018 13:03

THE BOLD LOOK
OF **KOHLER**®



Technical Information

All product dimensions are nominal.

| | |
|--------------------------|---|
| Bowl configuration: | Single |
| Installation: | Under-mount |
| Min. base cabinet width: | 30" (762 mm) |
| Bowl area (Only): | Length: 24-3/4" (629 mm) Width: 18-1/16" (459 mm) Bowl depth: 9" (229 mm) |
| Drain hole: | 3-5/8" (92 mm) |
| Template: | 1156909-7, required, included 1211543-7, required, included |

Notes

Install this product according to the installation instructions.

NOTICE: Countertop manufacturer or cutter must use the current product template available at www.kohler.com, or by calling 1-800-4KOHLER. Kohler Co. is not responsible for cutout errors when the incorrect cutout template is used.

IMPORTANT! The distance from the top edge of the cabinet to the top of the cabinet door must be at least 6-7/8" (175 mm) to install this sink.