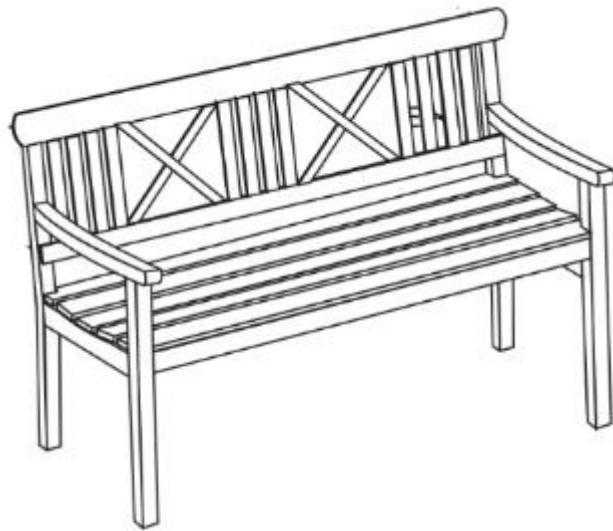


Thank you for choosing Sunnydaze Decor. We stand behind our brand and the quality of the items we sell. Replacement parts or products will be sent at our discretion, within the one-year warranty period. Proof of purchase, with the date of purchase as well as photos of the defective merchandise, must be provided. If you have any questions, comments or concerns please feel free to contact us by phone at: **888-881-4668**. You may also contact us by email: customerservice@serenityhealth.com, or via our webpage at: www.serenityhealth.com/contact-us/



WOODEN X-BACK BENCH

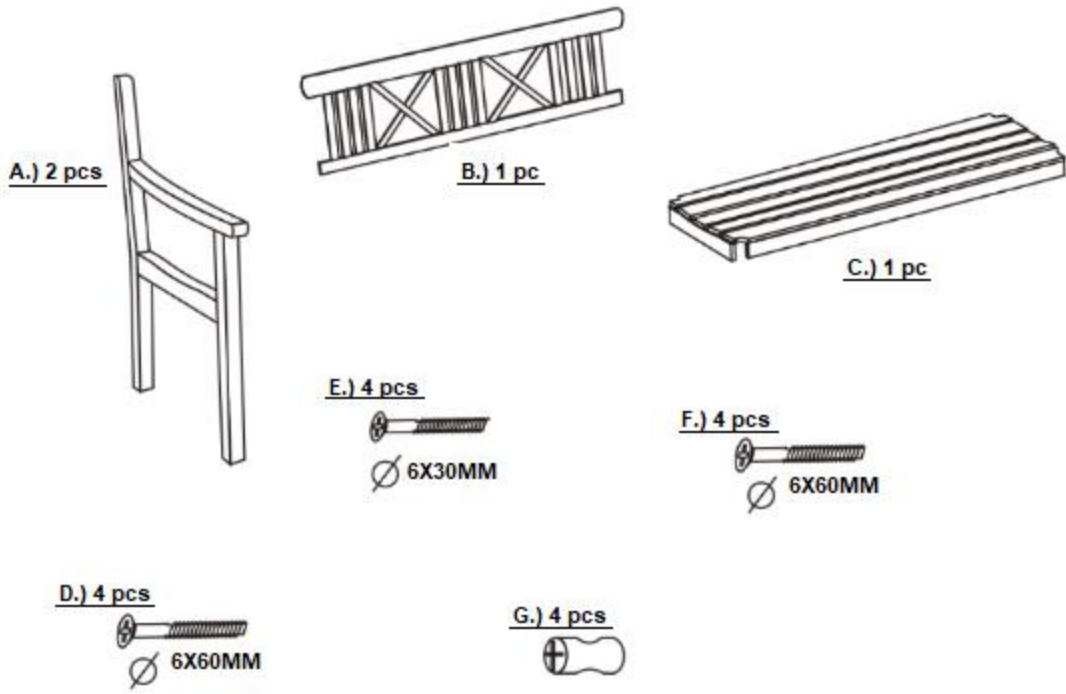


IMPORTANT WARNINGS:

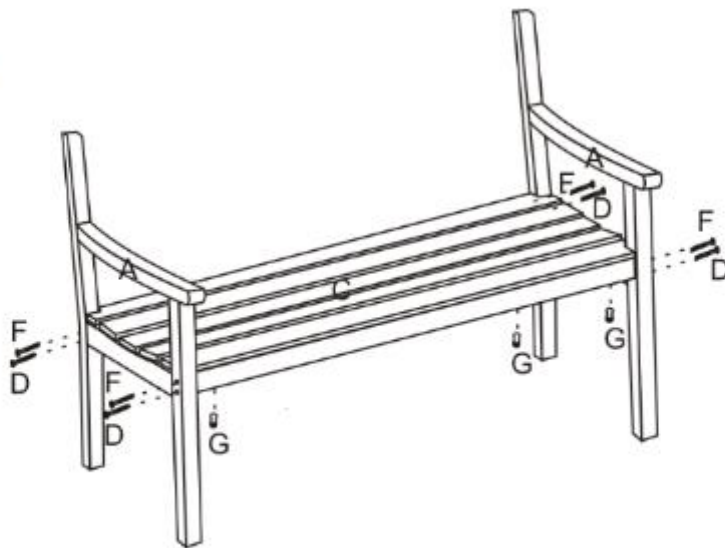
- Remove all parts from packaging carefully.
- This is a heavy unit! When assembling and disassembling we recommend that two or more adults are involved.
- Keep children and pets away when assembling or disassembling.
- This product is only designed to seat one person at any give time. DO NOT exceed this as it could damage the product, cause injury and void your warranty.
- The max recommended weight is 600lbs.
- Do not climb on the frame.
- Keep all flame and heat sources well away from this product at all times.
- Take care not to trap fingers while assembling and disassembling.
- When not in use store in a cool and dry place away from any heat sources.

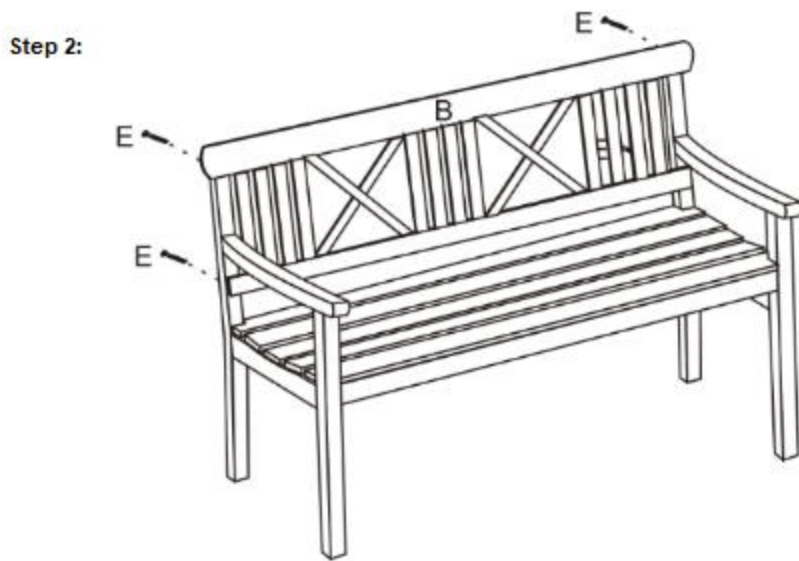


Parts and Hardware List:



Step 1:





Attention:

- 1.) We recommend TWO people assemble this product.
- 2.) Please follow the instructions carefully.
- 3.) When product is assembled, be sure to tighten screws with a screwdriver, in a stable vertical alignment.
- 4.) Do not fully tighten screws until fully assembled. (Item is easier to assemble with screws loose)
- 5.) Once assembled tighten all screws securely.