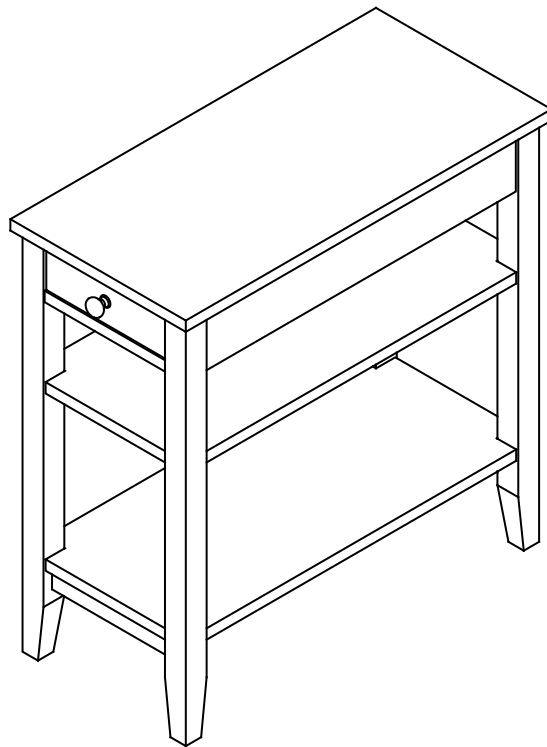


# CONVENIENCE CONCEPTS

## AMERICAN HERITAGE 3 TIER END TABLE

7107159



### **ASSEMBLY INSTRUCTIONS**

---

We have designed our furniture with you , the customer in mind . Our clear , easy to follow , step by step instructions will guide you through the project from start to finish . Feel confident that this will be a fun and rewarding project . The final product will be a quality piece of furniture that will go together smoothly and give years of enjoyment .

---



Please do not return to the store




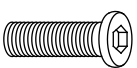
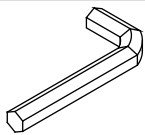
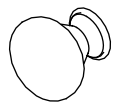
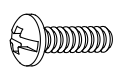
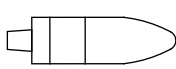

Broken or missing parts?

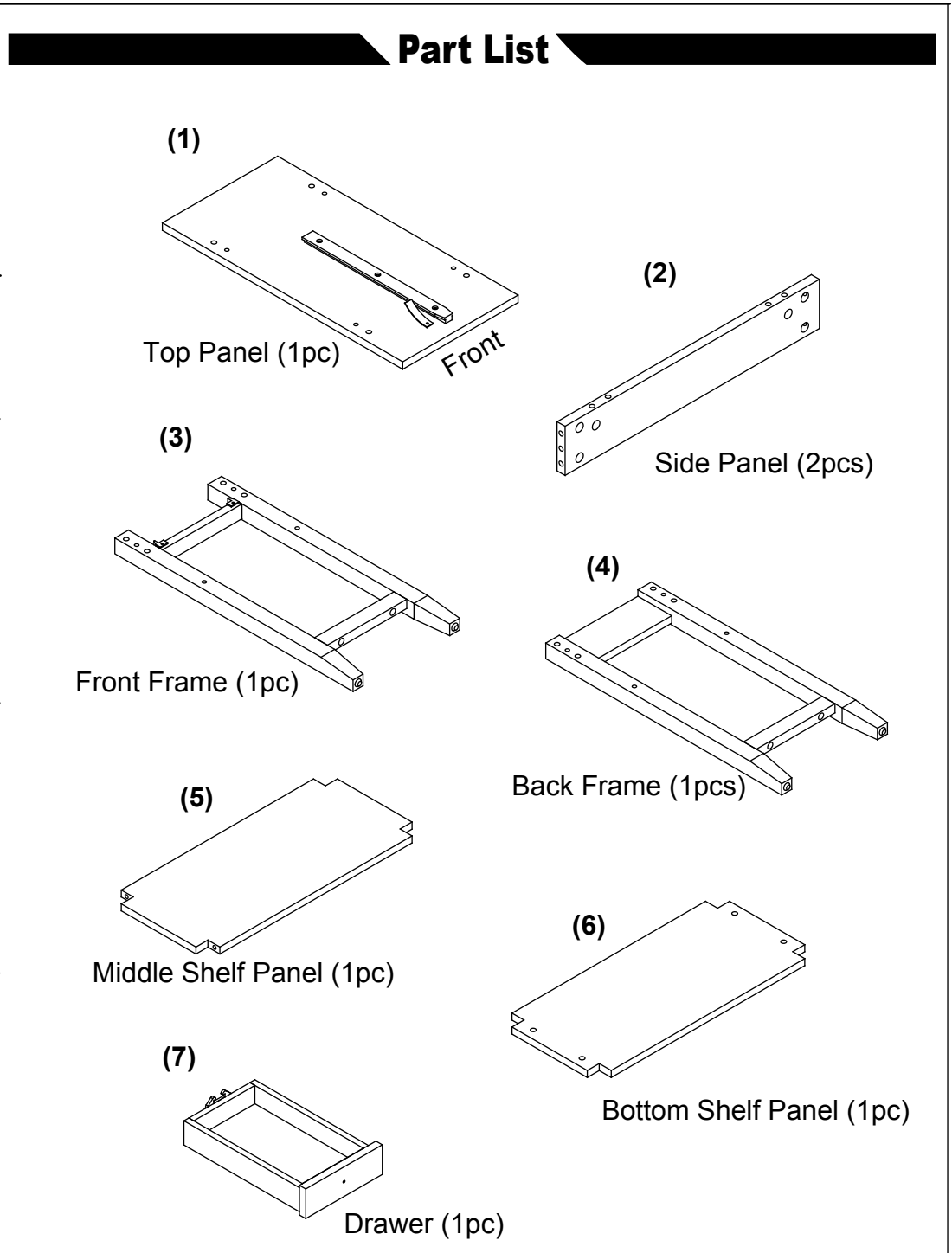
Need help with assembly?

If you have any questions just call 1-800-468-6447 or email us at [parts@convenience-concepts.com](mailto:parts@convenience-concepts.com)

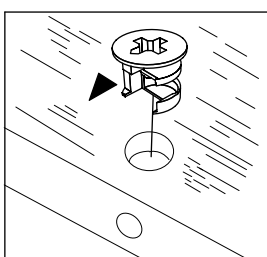
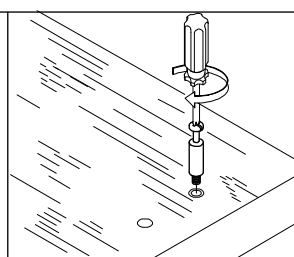
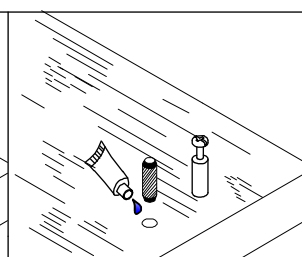
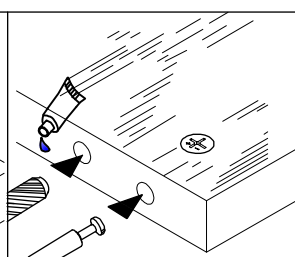
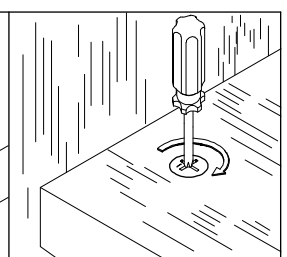
## Hardware List

## Part List

<b>A</b>	
Camlock (12pcs)	
<b>B</b>	
Cambolt (12pcs)	
<b>C</b>	
Wood dowel (12pcs)	
<b>D</b>	
Allen screw (4pcs)	
<b>E</b>	
Allen wrench (1pc)	
<b>F</b>	
Knob(1pc)	
<b>G</b>	
Knob Screw(1pc)	
<b>H</b>	
Wood glue(1pc)	
<b>I</b>	
Color stick (1pc)	

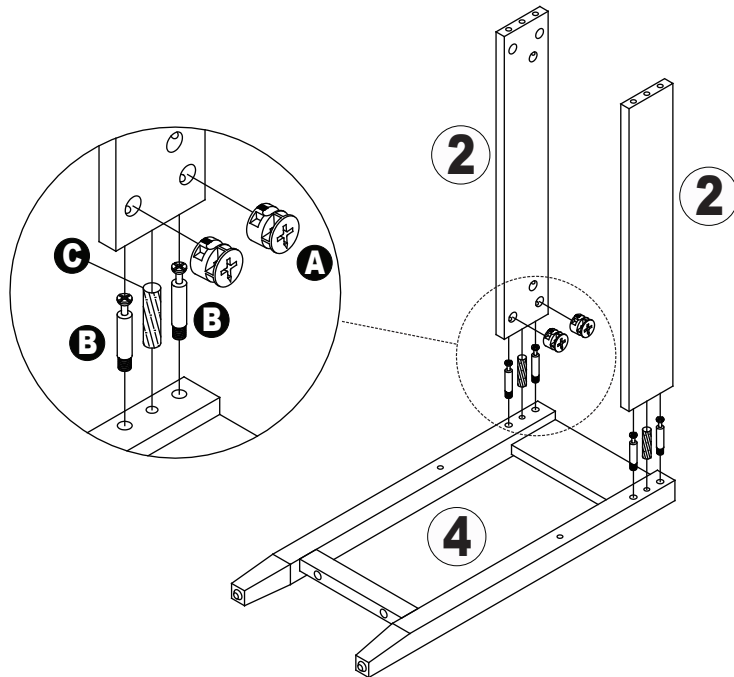


## Assembling the unit with camlocks and wood dowels.

				
Insert camlock, arrow must face bolt hole.	Gently screw cambolt into the threaded anchor	Lightly glue one end of wood dowel and tap into hole.	Lightly glue dowel and connect to second panel by inserting cambolt and dowel into holes	Gently screw the cam clockwise into locked position. Do not overtighten.

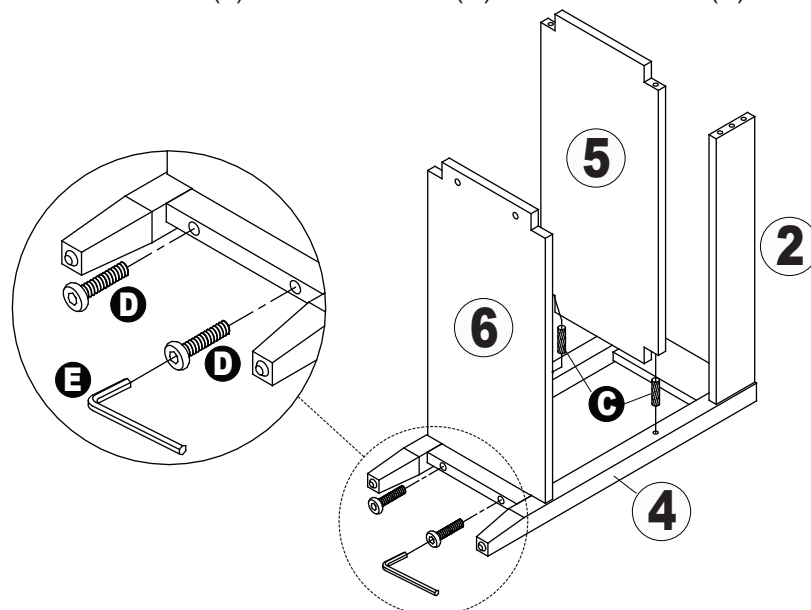
## Step1

1. Screw Cambolts (B) and insert Wood Dowels (C) into Back Frame (4).
2. Insert Camlocks (A) into Side Panels (2).
- \*\*Arrow on Camlock Faces toward Opening\*\*
3. Connect Side Panel (2) to back Frame (4) by gently tightening Camlocks (A).



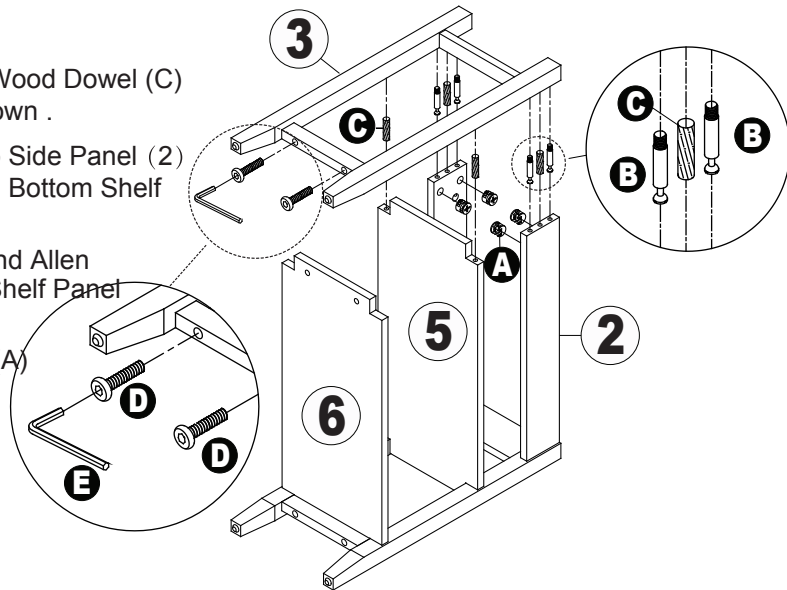
## Step2

1. Insert Wood Dowels (C) into Back Frame (4) .
2. Attach Middle Shelf Panel (5) and Bottom Shelf Panel (6) to Back Frame (4)  
Use care not to bend Wood Dowels.
3. Connect Bottom Shelf Panel (6) with Allen Screw (D) and Allen Wrench (E).



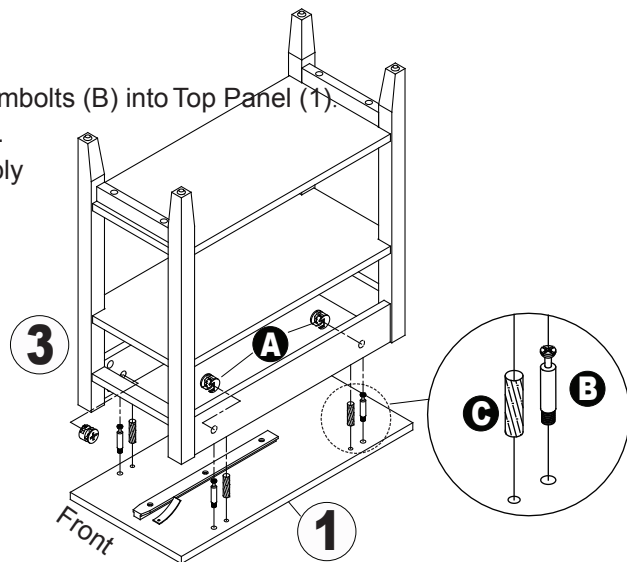
## Step3

1. Insert cambolts (B) and Wood Dowel (C) into Front Frame (3) as shown .
2. Attach Front Frame (3) to Side Panel (2) Middle Shelf Panel (5) and Bottom Shelf Panel (6) as shown.
3. Using Allen Wrench (E) and Allen Screws (D) attach Bottom Shelf Panel (6) to Assembly as shown.
4. Gently tighten Camlocks (A) in Side Panels (2).



## Step4

1. Insert wood Dowels (C) and screw Cambolts (B) into Top Panel (1).
2. Insert Camlock (A) into Side Panel (2) .
3. Attach Top Panel (1) to Frame Assembly by gently tightening Camlocks (A)



## Step5

1. Screw Knob (F) onto drawer front panel with Knob Screw (G).
2. Insert Drawer (7) into unit making sure that drawer glide slides onto rail on underside of Top Panel (1).

