
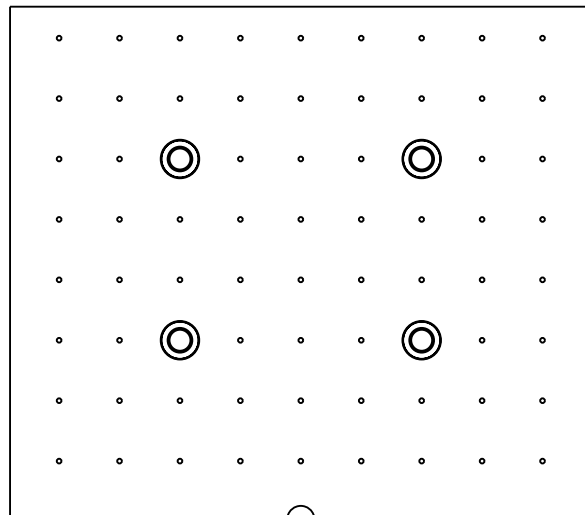
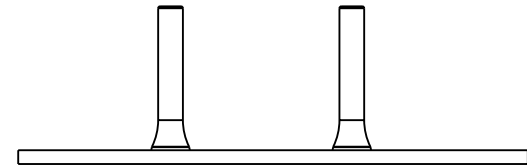
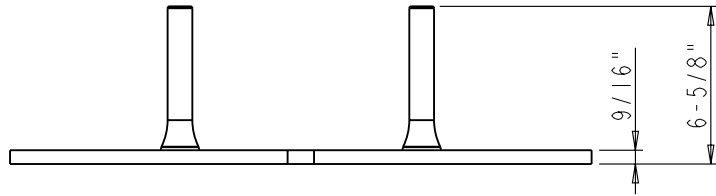


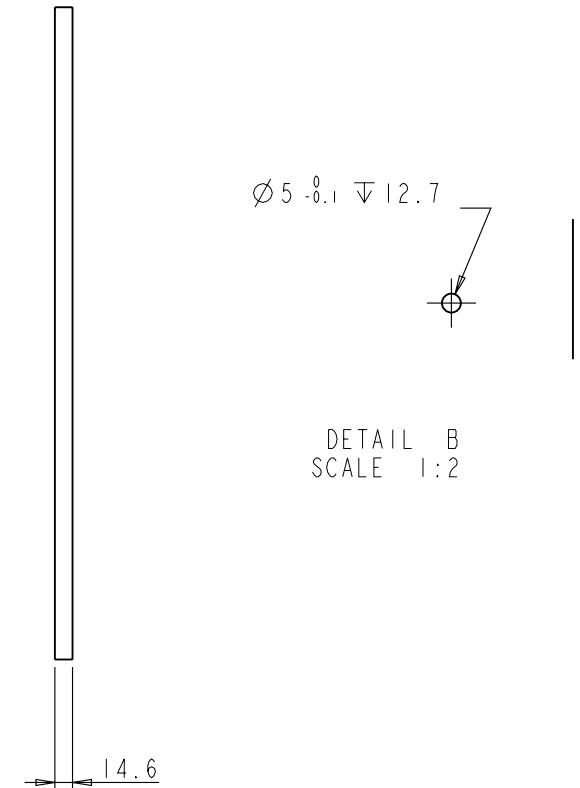
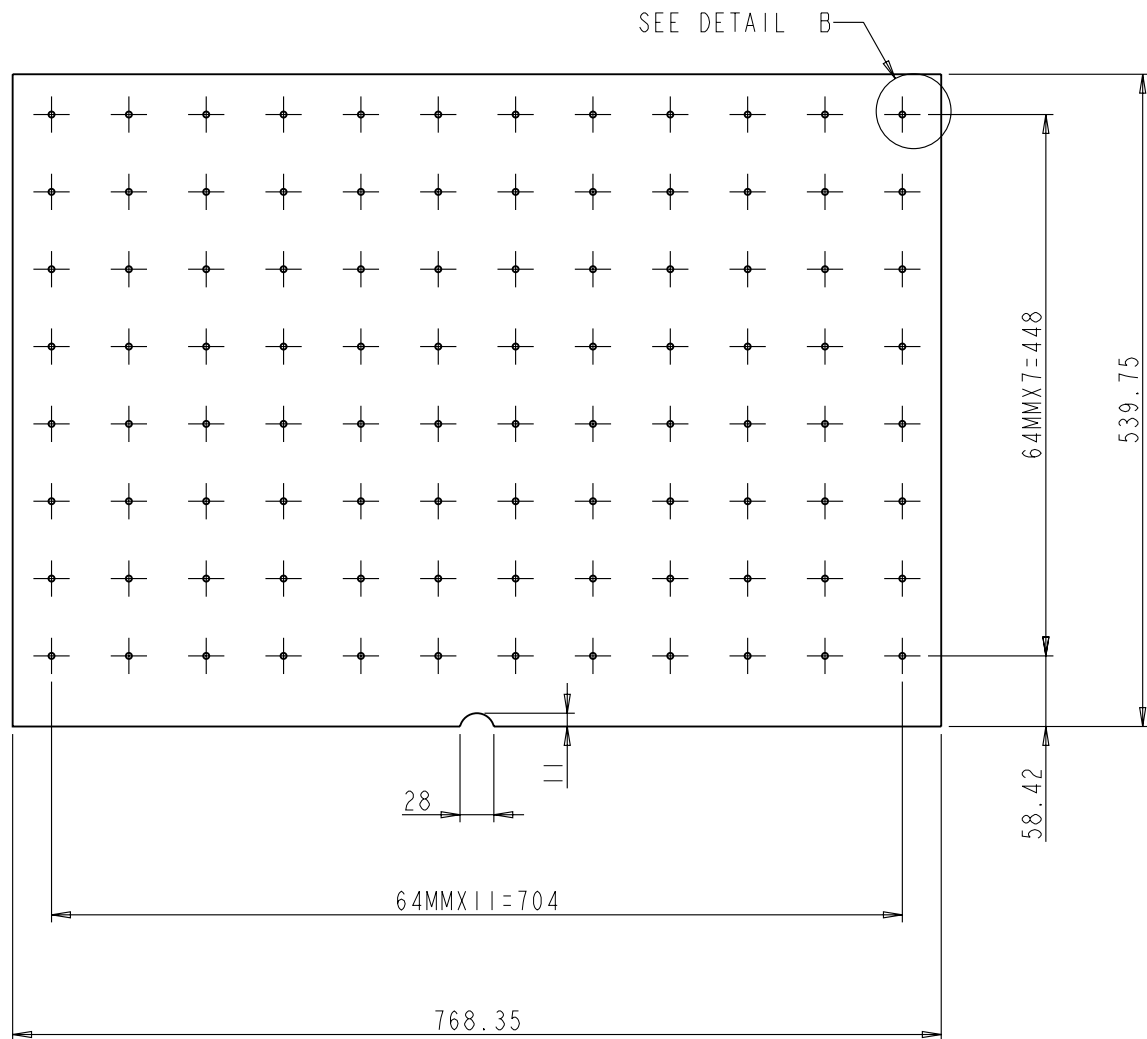
Note:

1. PEG- 9 include: Peg-Board- 9 with 9 Pegs
2. PEG-12 include: Peg-Board-12 with 12 Pegs
3. PEG-16 include: Peg-Board-16 with 16 Pegs

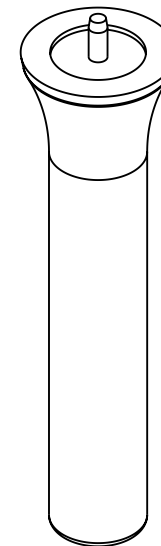
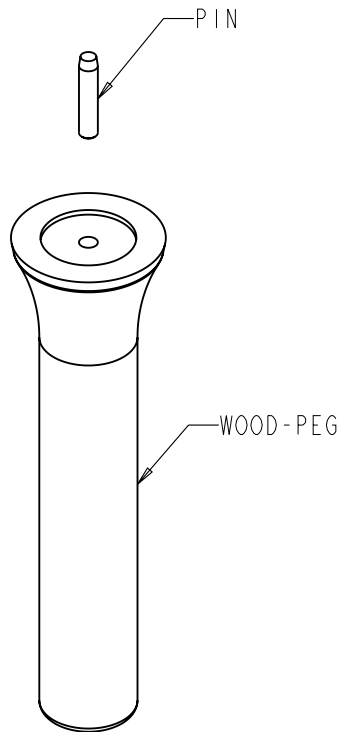
 <b>PROPRIETARY AND CONFIDENTIAL</b> THE INFORMATION CONTAINED IN THIS DRAWING IS THE SOLE PROPERTY OF HARDWARE RESOURCES INC. ANY REPRODUCTION IN PART OR AS A WHOLE WITHOUT THE WRITTEN PERMISSION OF HARDWARE RESOURCES INC. IS PROHIBITED.	ITEM:	PEG-SETS		MATERIAL:
	FINISH:			WEIGHT:
	TOLERANCE UNLESS OTHERWISE SPECIFIED: X ±0.20 X.X ±0.10 X.XX ±0.05 ANGULAR: ±0.5°	UNITS:	DRAWN BY:	DATE:
	DO NOT SCALE DRAWING	SIZE:	APPROVED BY:	DATE:
	SHEET:	RELEASE LEVEL:	REVISION:	




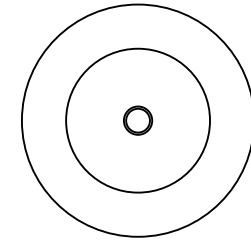
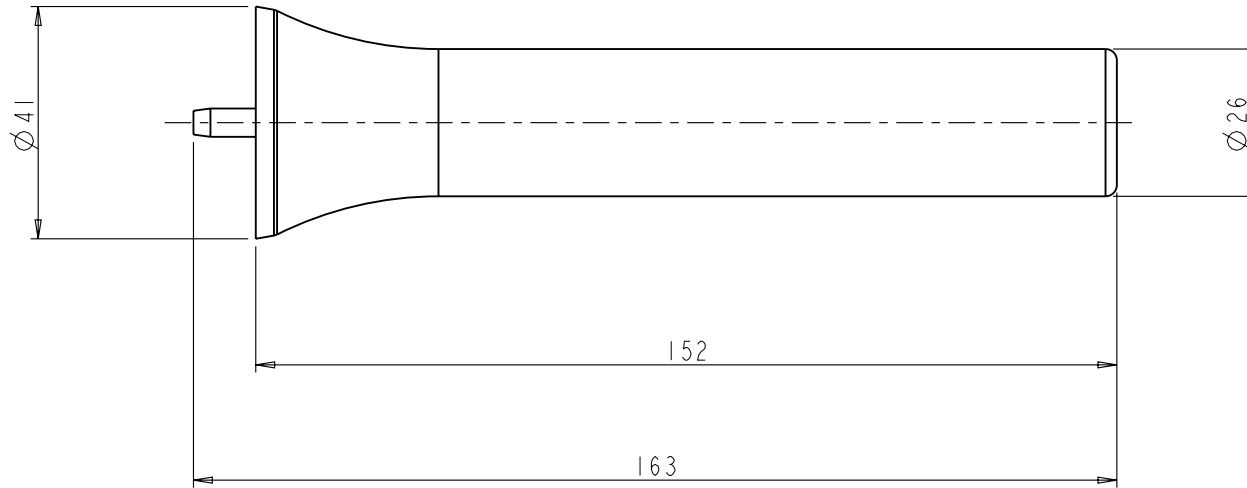
<p><b>hardware resources</b></p> <p><u>PROPRIETARY AND CONFIDENTIAL</u></p> <p>THE INFORMATION CONTAINED IN THIS DRAWING IS THE SOLE PROPERTY OF HARDWARE RESOURCES INC. ANY REPRODUCTION IN PART OR AS A WHOLE WITHOUT THE WRITTEN PERMISSION OF HARDWARE RESOURCES INC. IS PROHIBITED.</p> <p>DO NOT SCALE DRAWING</p>	ITEM#: PEG-SETS	MATERIAL:
	FINISH:	WEIGHT: 9
	TOLERANCE UNLESS OTHERWISE SPECIFIED: I ±0.20 I.X ±0.10 I.XX ±0.05 ANGULAR: ±0.5°	PROJECTION
	UNITS:	DRAWN BY: <i>alan.liu</i>
SIZE:	APPROVED BY:	DATE:
SHEET:	RELEASE LEVEL:	REVISION:




<p><b>PROPRIETARY AND CONFIDENTIAL</b></p> <p>THE INFORMATION CONTAINED IN THIS DRAWING IS THE SOLE PROPERTY OF HARDWARE RESOURCES INC. ANY REPRODUCTION IN PART OR AS A WHOLE WITHOUT THE WRITTEN PERMISSION OF HARDWARE RESOURCES INC. IS PROHIBITED.</p> <p>DO NOT SCALE DRAWING</p>	ITEM:	PEG-BOARD-12		MATERIAL:	Maple Plywood	
	FINISH:	UV Finish		WEIGHT:	9	
	TOLERANCE UNLESS OTHERWISE SPECIFIED:	UNITS:	MM	DRAWN BY:	<i>alan.liu</i>	DATE:
	SIZE:	APPROVED BY:		DATE:		
	SHEET:	RELEASE LEVEL:		REVISION:		

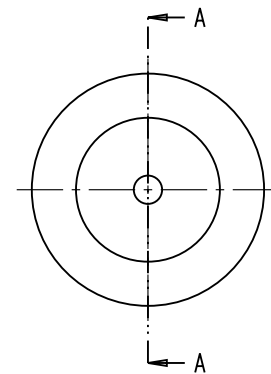
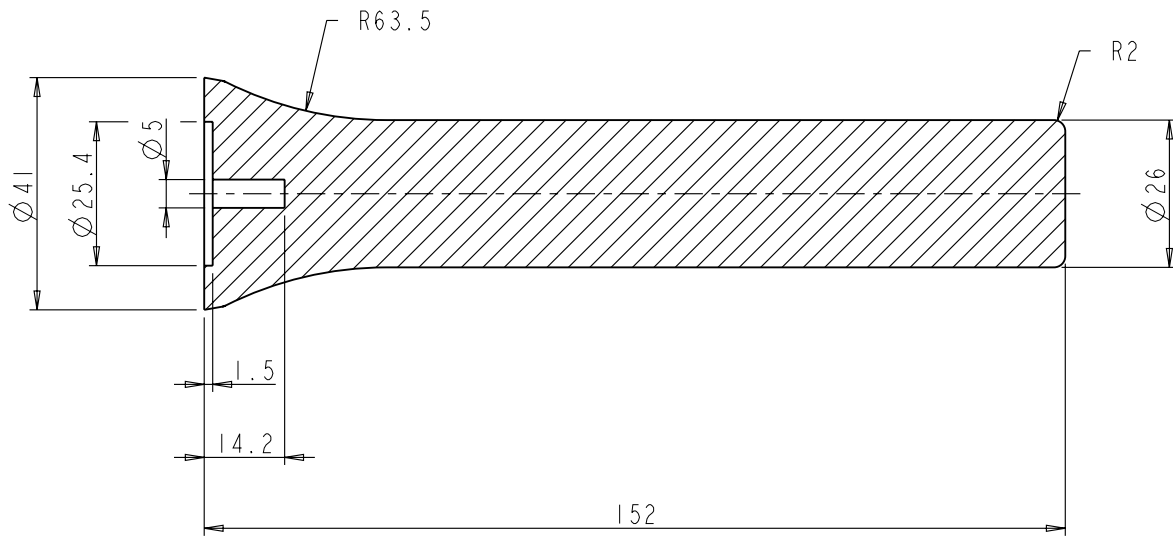


 <b>PROPRIETARY AND CONFIDENTIAL</b> THE INFORMATION CONTAINED IN THIS DRAWING IS THE SOLE PROPERTY OF HARDWARE RESOURCES INC. ANY REPRODUCTION IN PART OR AS A WHOLE WITHOUT THE WRITTEN PERMISSION OF HARDWARE RESOURCES INC. IS PROHIBITED. DO NOT SCALE DRAWING	ITEM#: PEG		MATERIAL:		
	FINISH:		WEIGHT: 9		
	TOLERANCE UNLESS OTHERWISE SPECIFIED: X ±0.20 X.X ±0.10 X.XX ±0.05 ANGULAR: ±0.5°		UNITS:	DRAWN BY:	DATE:
	SIZE: A4		APPROVED BY:	DATE:	
SHEET: 1 OF 4		RELEASE LEVEL:	REVISION:		




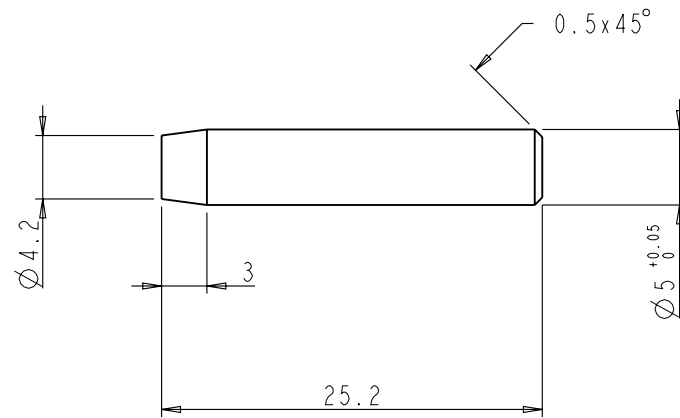
 <b>PROPRIETARY AND CONFIDENTIAL</b> THE INFORMATION CONTAINED IN THIS DRAWING IS THE SOLE PROPERTY OF HARDWARE RESOURCES INC. ANY REPRODUCTION IN PART OR AS A WHOLE WITHOUT THE WRITTEN PERMISSION OF HARDWARE RESOURCES INC. IS PROHIBITED. DO NOT SCALE DRAWING	ITEM#: PEG		MATERIAL:		
	FINISH:		WEIGHT:		
	TOLERANCE UNLESS OTHERWISE SPECIFIED: X ±0.20 X.X ±0.10 X.XX ±0.05 ANGULAR: ±0.5°		UNITS: MM	DRAWN BY:	DATE:
	SIZE: A4		APPROVED BY:	DATE:	
SHEET: 2 OF 4		RELEASE LEVEL:	REVISION:		






SECTION A-A  
SCALE 3:4

 <b>PROPRIETARY AND CONFIDENTIAL</b> THE INFORMATION CONTAINED IN THIS DRAWING IS THE SOLE PROPERTY OF HARDWARE RESOURCES INC. ANY REPRODUCTION IN PART OR AS A WHOLE WITHOUT THE WRITTEN PERMISSION OF HARDWARE RESOURCES INC. IS PROHIBITED.	ITEM#: WOOD-PEG		MATERIAL: Wooden Maple		
	FINISH:		WEIGHT: 9		
	TOLERANCE UNLESS OTHERWISE SPECIFIED: X ±0.20 X.X ±0.10 X.XX ±0.05 ANGULAR: ±0.5°		UNITS: MM	DRAWN BY:	DATE:
	DO NOT SCALE DRAWING		SIZE: A4	APPROVED BY:	DATE:
		SHEET: 3 OF 4	RELEASE LEVEL:	REVISION:	



	ITEM#: PIN		MATERIAL: STEEL		
	FINISH:		WEIGHT: 9		
<b>PROPRIETARY AND CONFIDENTIAL</b> THE INFORMATION CONTAINED IN THIS DRAWING IS THE SOLE PROPERTY OF HARDWARE RESOURCES INC. ANY REPRODUCTION IN PART OR AS A WHOLE WITHOUT THE WRITTEN PERMISSION OF HARDWARE RESOURCES INC. IS PROHIBITED.	TOLERANCE UNLESS OTHERWISE SPECIFIED:		UNITS: MM	DRAWN BY:	DATE:
	X ±0.20		SIZE: A4	APPROVED BY:	DATE:
	X.X ±0.10		SHEET: 4 OF 4	RELEASE LEVEL:	REVISION:
	X.XX ±0.05		DO NOT SCALE DRAWING		
ANGULAR: ±0.5°		