

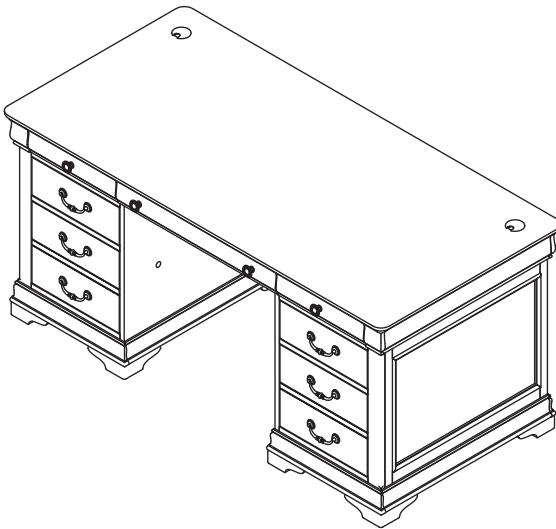


LIBERTY FURNITURE

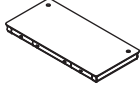



ASSEMBLY INSTRUCTION

ITEM #: 901-HO105T/B — DESCRIPTION JR Executive Desk Top/Base _____






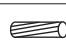
Thank you for purchasing this quality product. Be sure to check all packing materials carefully for small parts which may have come loose inside the carton during shipment. Identify and count all parts and compare with the parts List Below.



PARTS LIST

NO.		DESCRIPTION	Q'TY
A		TOP	1pc
B		LEFT BASE	1pc
C		RIGHT BASE	1pc
D		BACK PANEL	1pc

HARDWARE LIST

NO.	SKETCH	DESCRIPTION	Q'TY
E		GROMMET	2pcs
F		1/4"x20x1-1/2" BOLT	17pcs
G		1/4" SPRING WASHER	17pcs
H		1/4"x19mm FLAT WASHER	17pcs
I		4mm ALLEN KEY	1pc
J		Ø8x30mm WOOD DOWEL	12pcs

Attention: Please note all bolt locations follow the sequence in assembly.

Step 1: Put wood dowel locators (J) in the right position at Base (B), Base (C) and Back panel (D). Assemble the Base (B), Base (C) and Back panel (D) by flat washer (H), spring washer (G), bolt (F) and allen key (I) according to the following picture details.

Step 2: Put the Grommet (E) in the hole on top.

Step 3: After setting up, you can level the desk by adjusting leveler at each corner.

Note: Wire access cord is to follow above sketch.

MADE IN VIETNAM

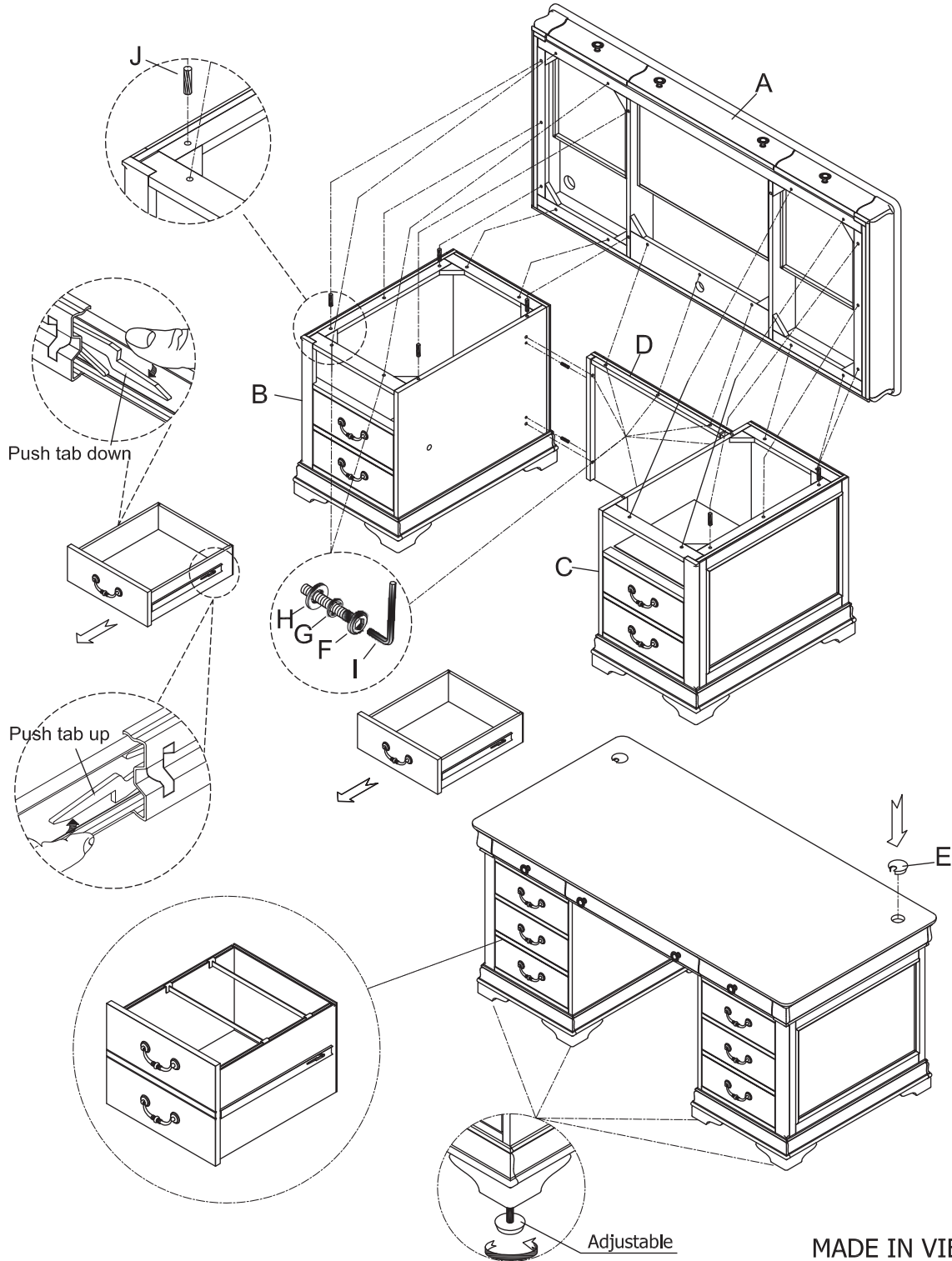


LIBERTY FURNITURE

ASSEMBLY INSTRUCTION

ITEM #: 901-HO105T/B — DESCRIPTION JR Executive Desk Top/Base _____

Thank you for purchasing this quality product. Be sure to check all packing materials carefully for small parts which may have come loose inside the carton during shipment. Identify and count all parts and compare with the parts List Below.



MADE IN VIETNAM