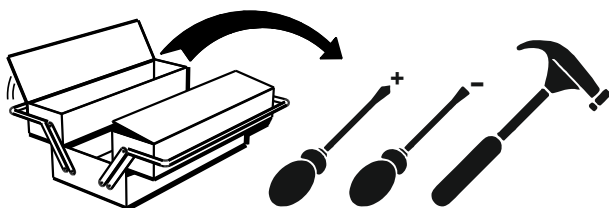
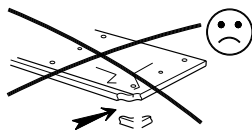
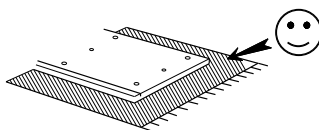
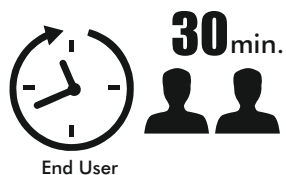
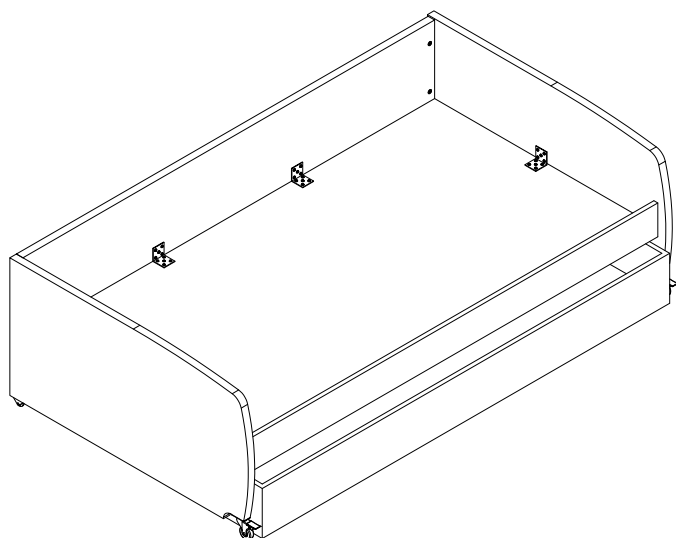




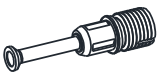

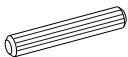
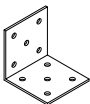
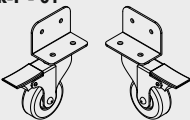


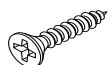
MULTIMO

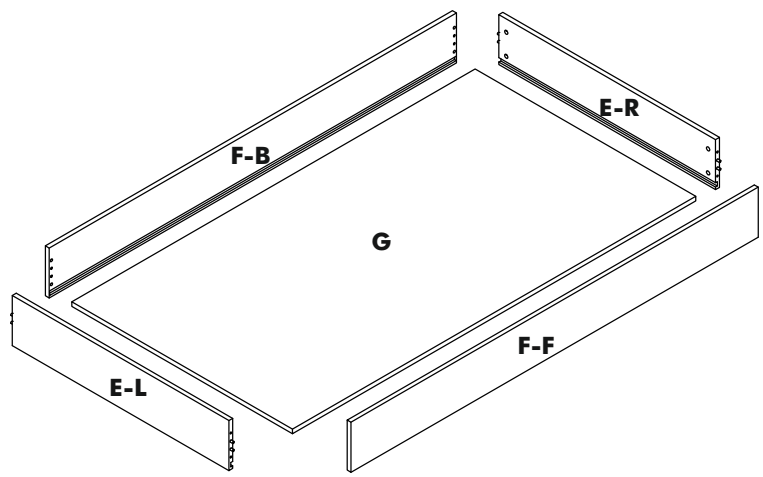
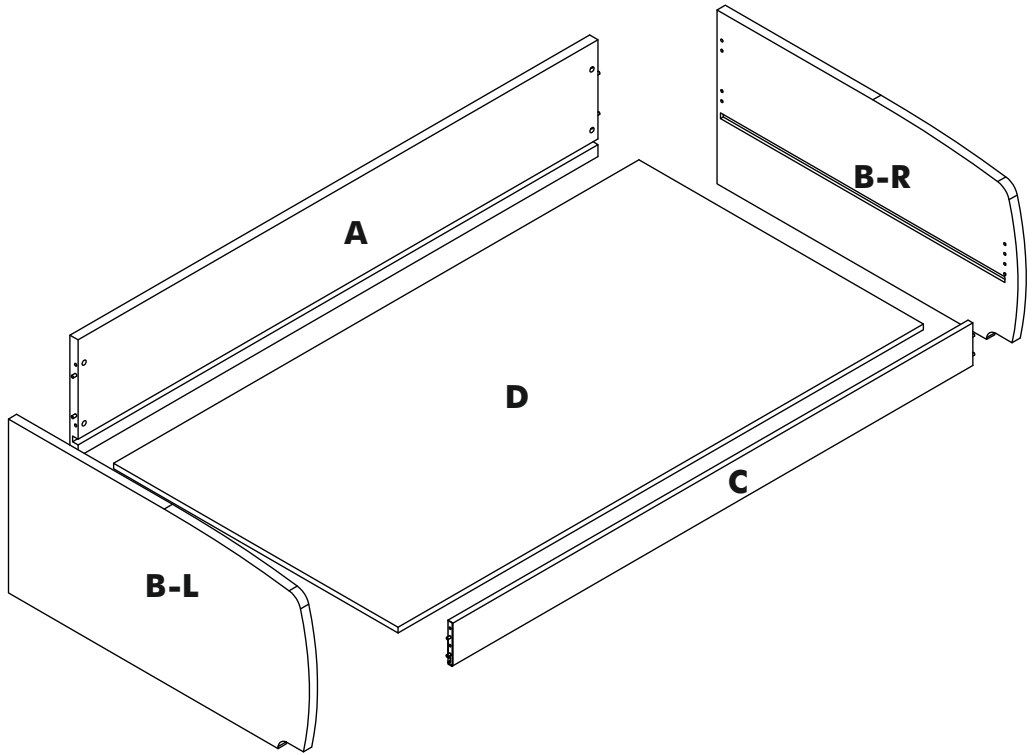
A 216 TWIN BED



Track Title	Piece	(inch)			(mm)			
		Thickness	Length	Width	Piece	Thick	Height	Most
A		1,18	77,40	15,75	1	30	1966	400
B		1,18	43,31	21,65	2	30	1100	550
C		0,71	77,40	6,30	1	18	1966	160
D		0,71	78,11	40,83	1	18	1984	1037
E		0,71	39,37	8,27	2	18	1000	210
F		0,71	76,61	8,27	2	18	1946	210
G		0,71	75,83	40,00	1	18	1926	1016

Accessories List

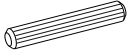
MNX 02  16 / piece TKR-01 (32) mm	MNG - 01  16 / piece KVL 01  16 / piece	KB - 01  12 / piece TKR-F - 01  2/ piece	VTB - 01 (4,8x16) mm  136 / piece TAP - 01  16 / piece
VD - 03 (3,5x18) mm  10 / piece			



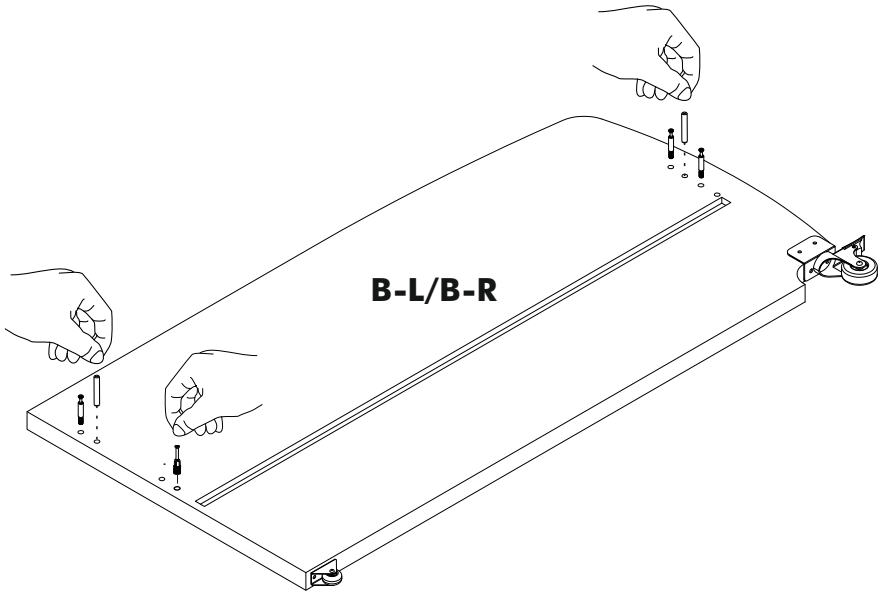
STEP 1



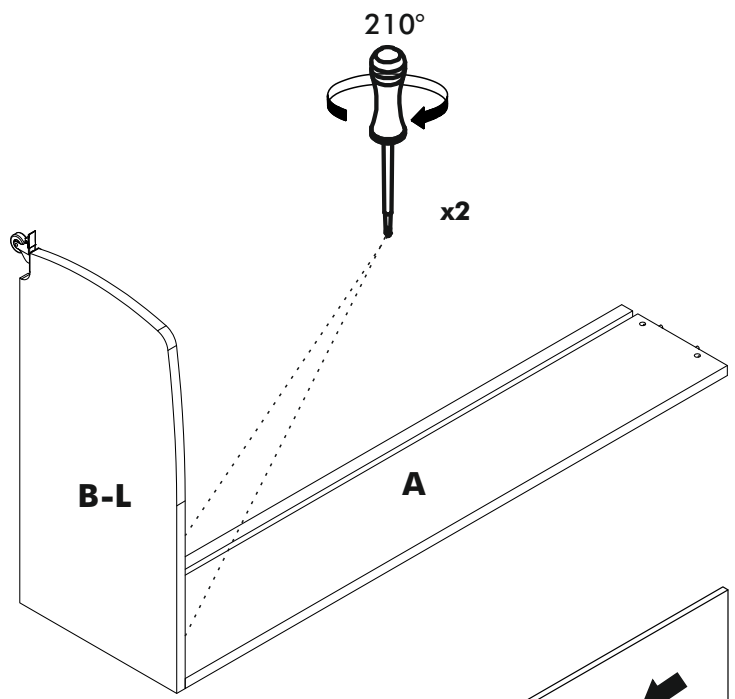
MNX - 02



KVL 01

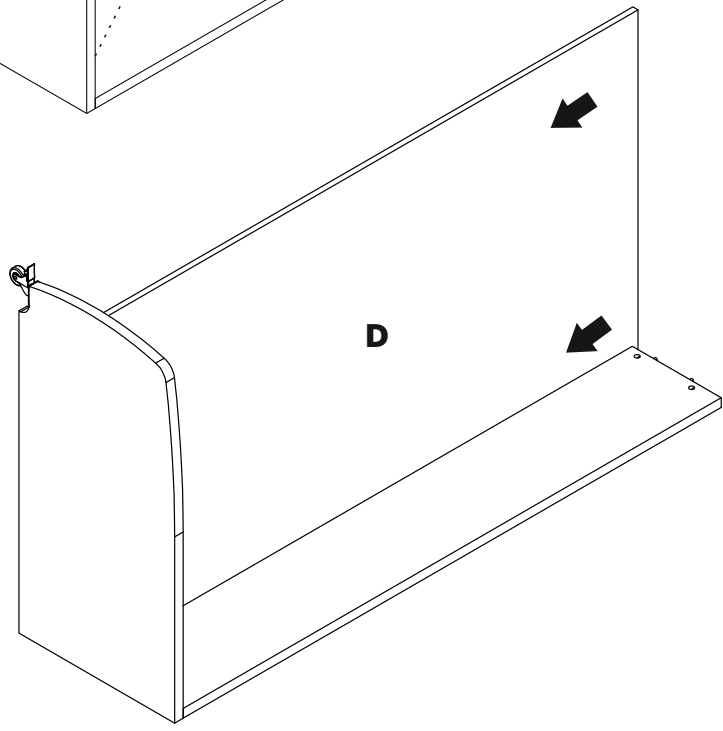


STEP 2



MNG - 01

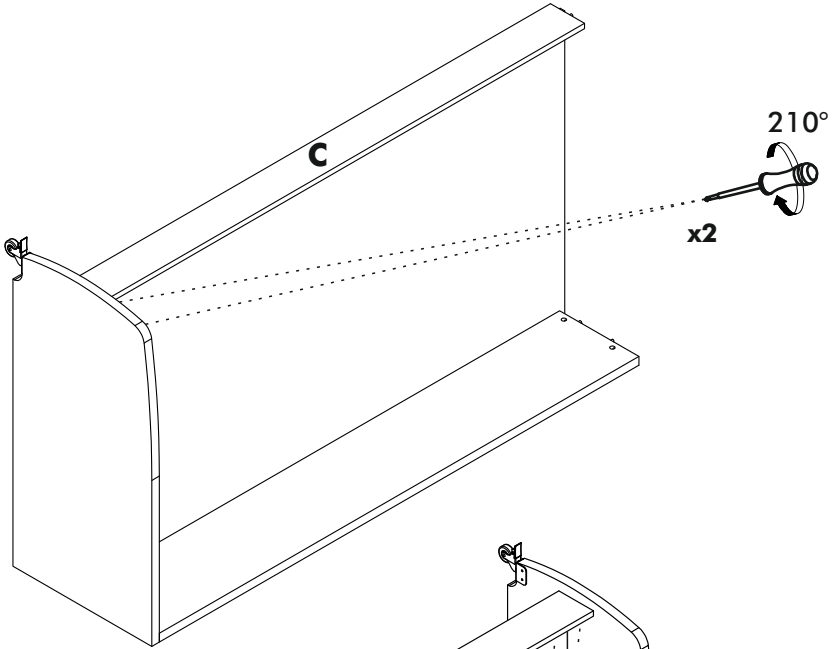
STEP 3



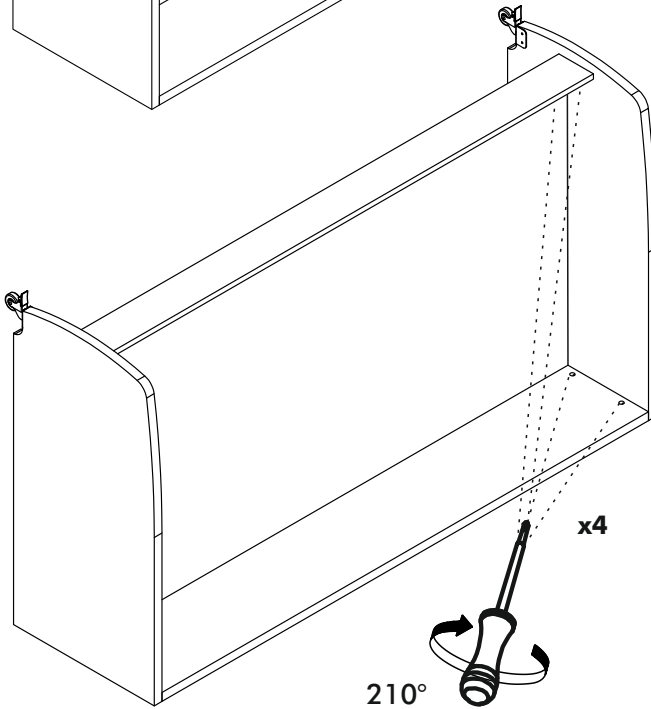
STEP 4



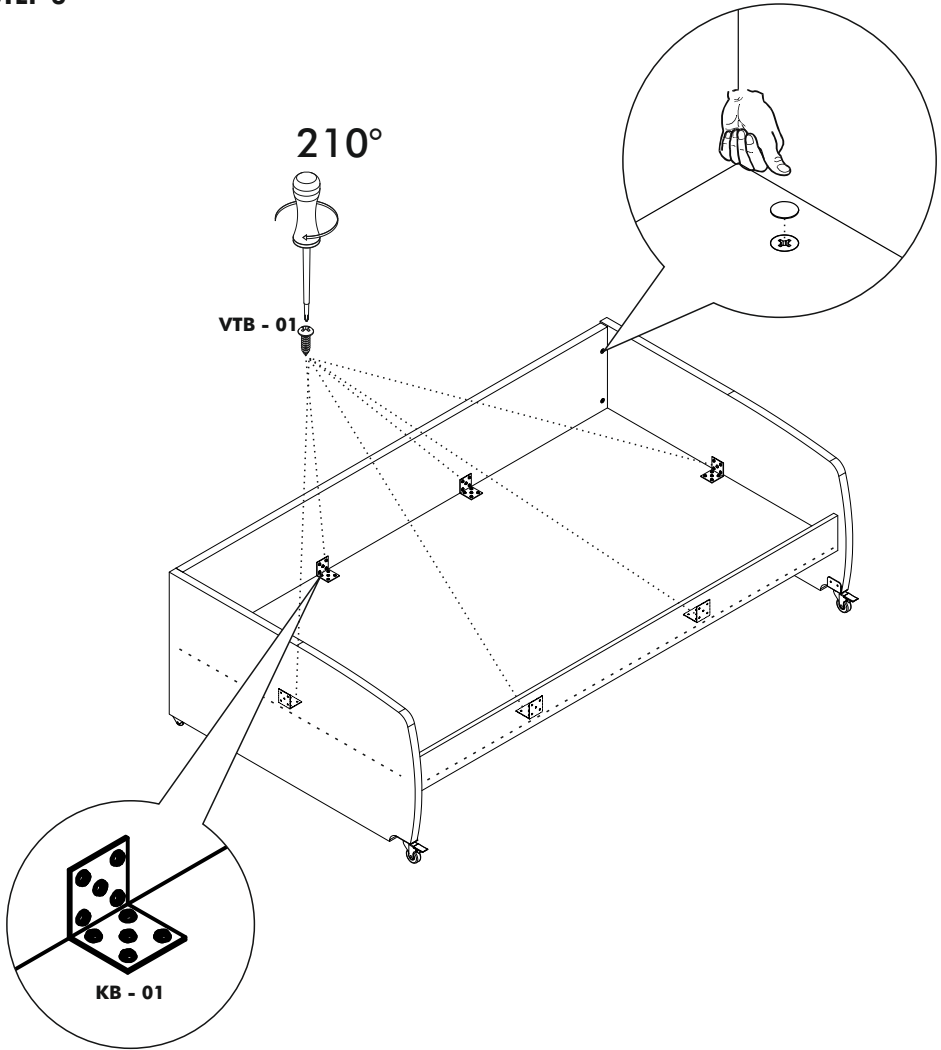
MNG - 01



STEP 5



STEP 6



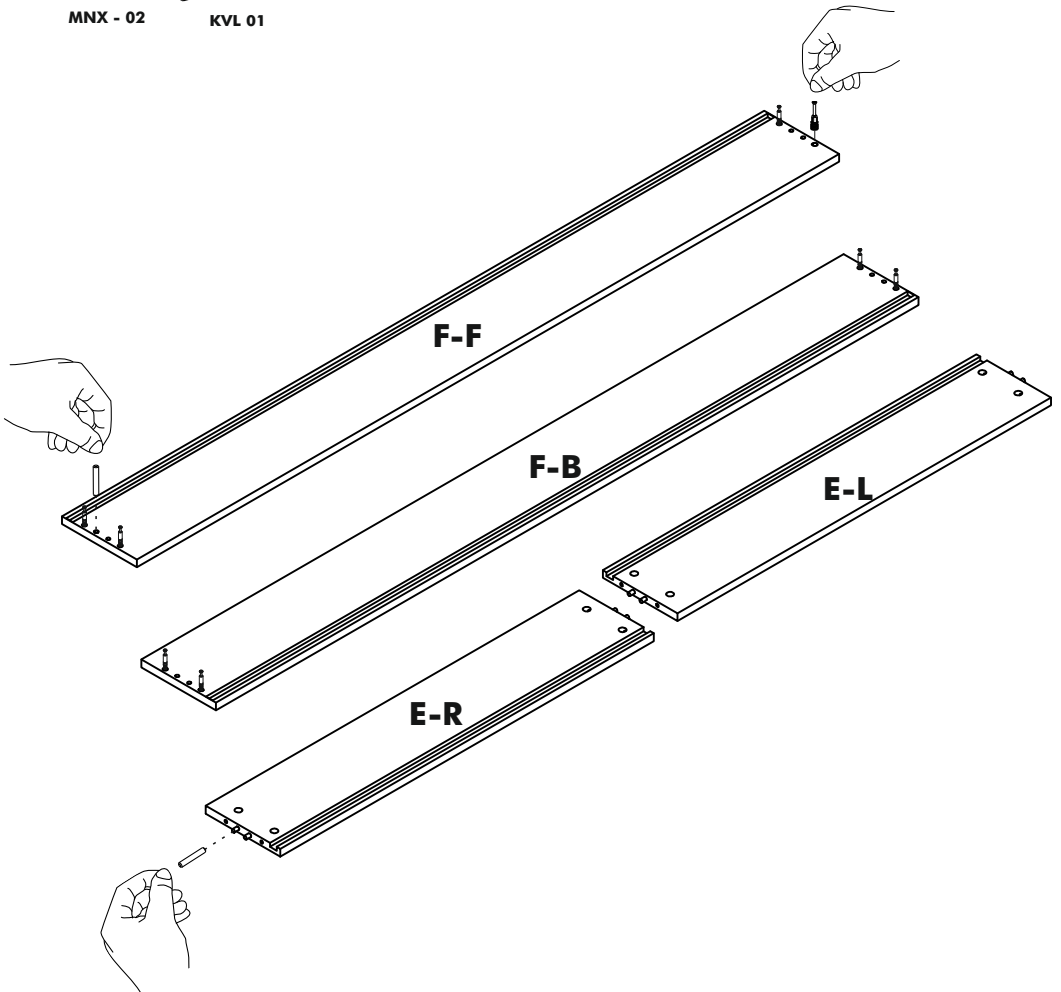
STEP 7



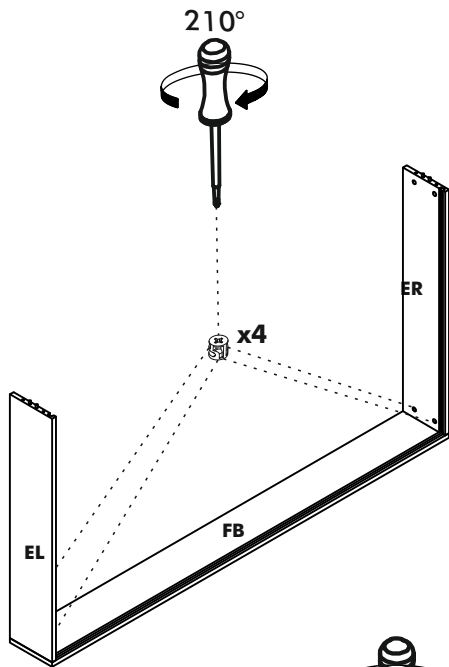
MNX - 02



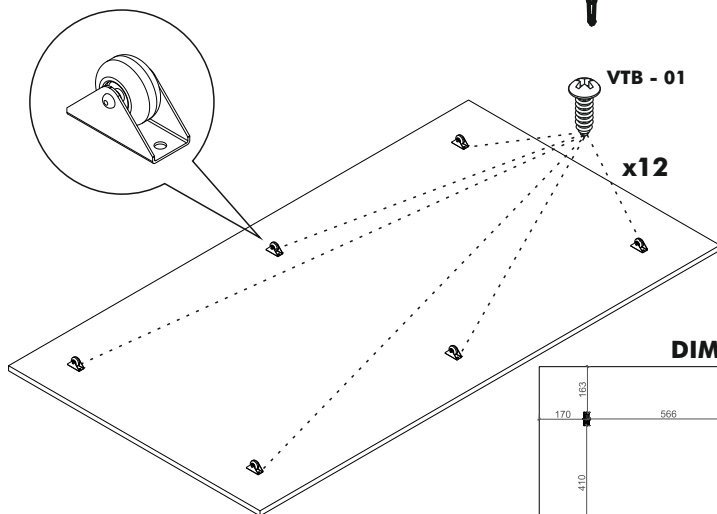
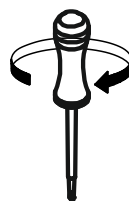
KVL 01



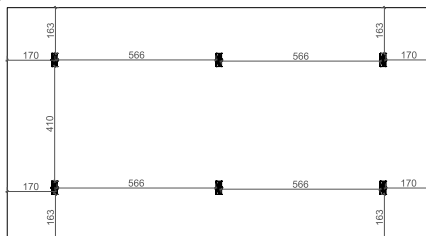
STEP 8



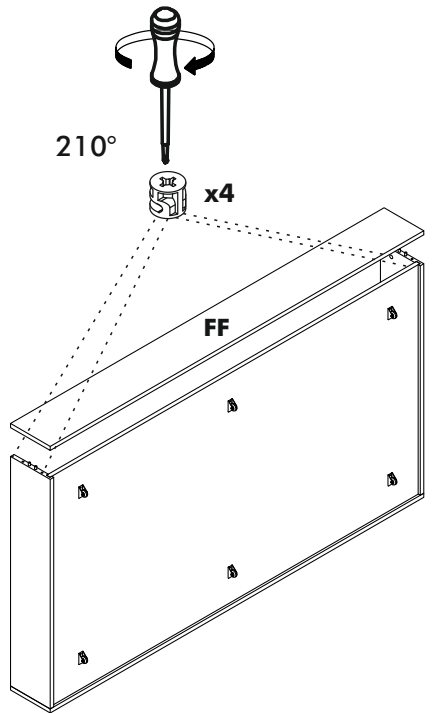
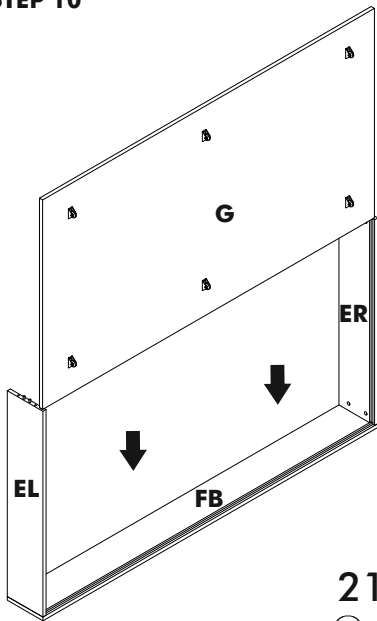
STEP 9



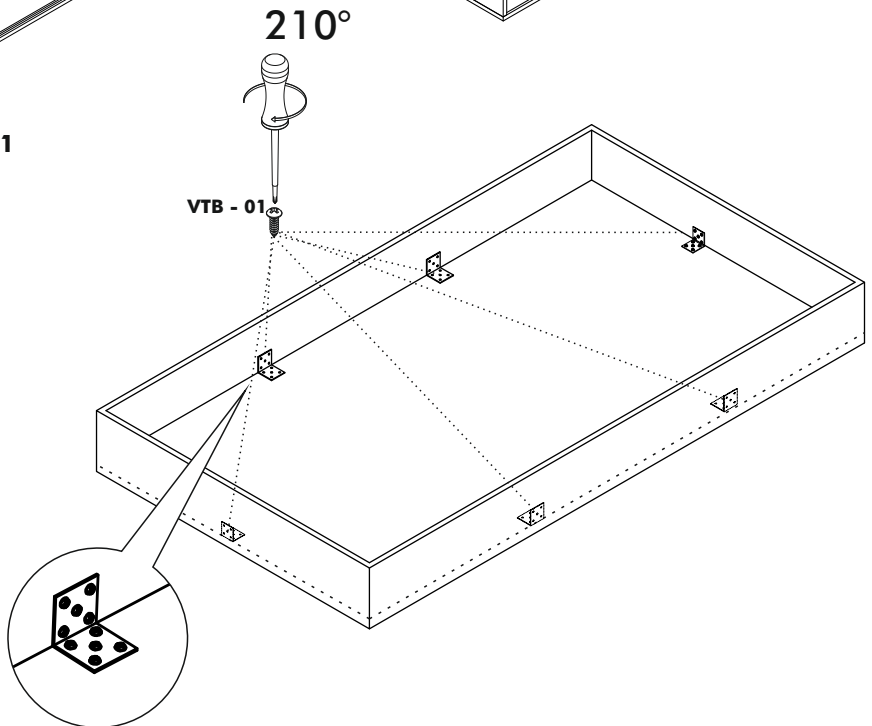
DIMENSIONS



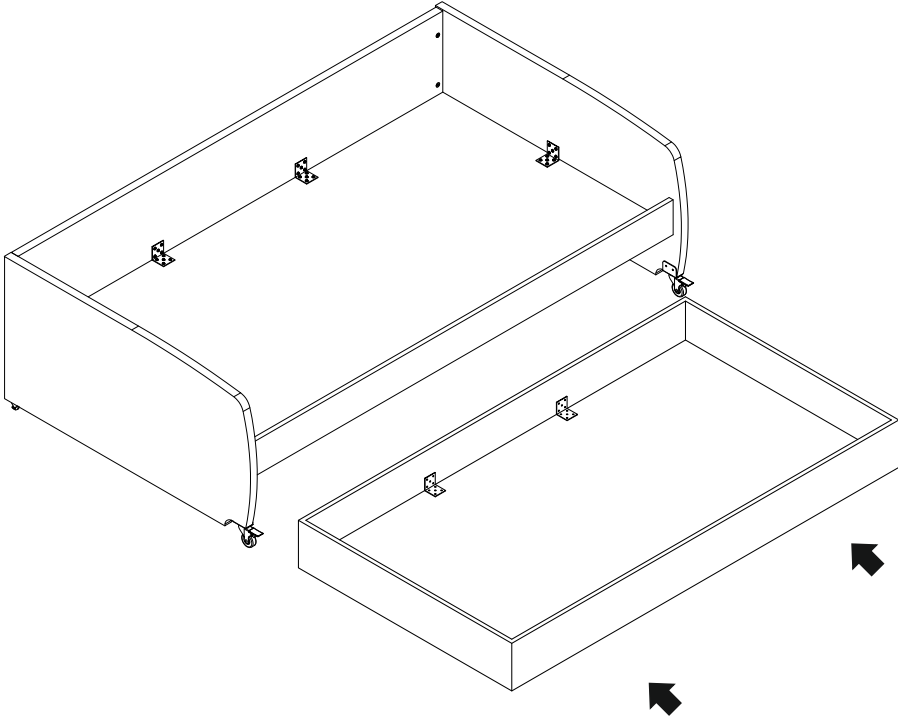
STEP 10

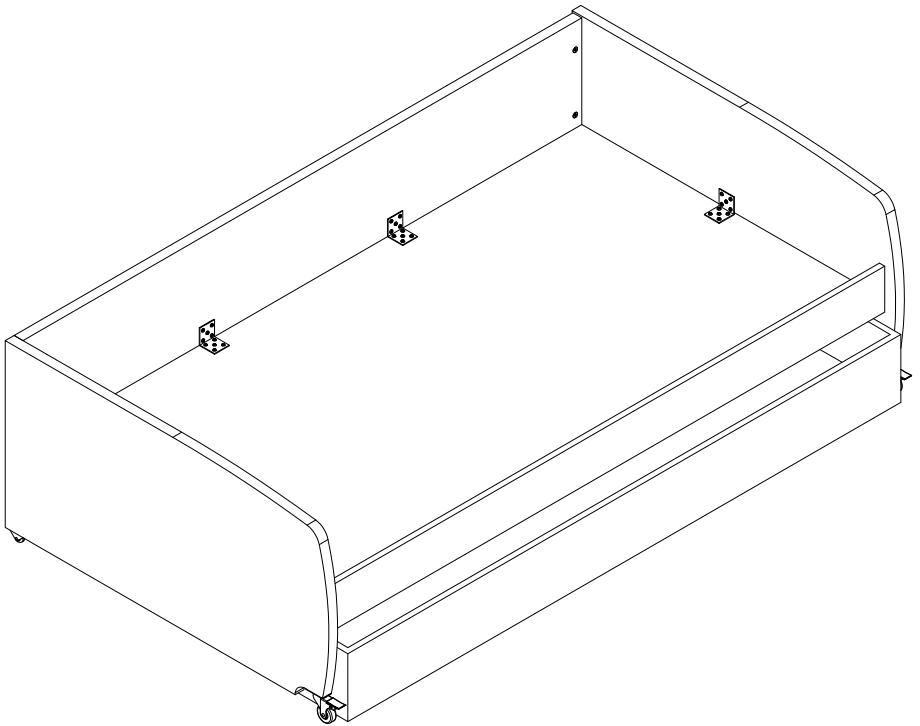


STEP 11



STEP 12





ATTENTION / HOW TO / READ ME / OWNER'S GUIDE

1. When mounting on a regular drywall, furniture must be fastened to wood or metal studs. Solid walls made of brick, concrete or similar strong material are also acceptable. Do not mount furniture to paper-mache or sheet rock like material without properly attaching to stud.

2. For safety and product longevity you must periodically inspect the mounting and mechanical connections for integrity and tightness. Confirm hardware remains properly affixed and connections snug.

3. Wall Bed mattress thickness may not exceed 8 inch. Take care to remove pillows and excess blankets before closing. Doing so keeps mechanism free of obstruction and unnecessary stress.

4. Do not lean or rest heavy objects on side or top of furniture. This may cause balance issues and compromise the integrity of your mounting connections.

5. Please use the furniture's beds, desks and shelving as intended. Not designed to be sat, stood, leaned, jumped (etc) on. Improper use may cause personal injury and damage to property.

6. With seasonal humidity change you must inspect interior and exterior of furniture.

7. Single, Twin, Twin XL beds accommodate the weight of one person. Improperly sleeping more than one person risks injury to person and damage to property.

8. Before any un-mounting or disassembly please contact Multimo for technical support and instruction. Failure to properly detach risks injury to person and damage to property.

9. For Bunk Beds:

- a. Always use provided ladder when accessing top bunk.
- b. Be slow, careful and aware of surroundings when opening top bunk.
- c. Do not horseplay. Beds are to be slept on only.
- d. Some have legs that fully extend when open- be aware of where the leg is and will be.



www.multimobeds.com