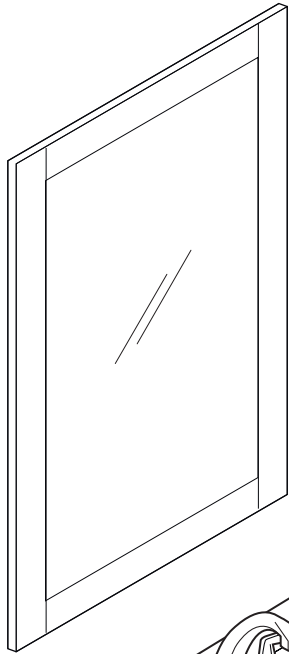
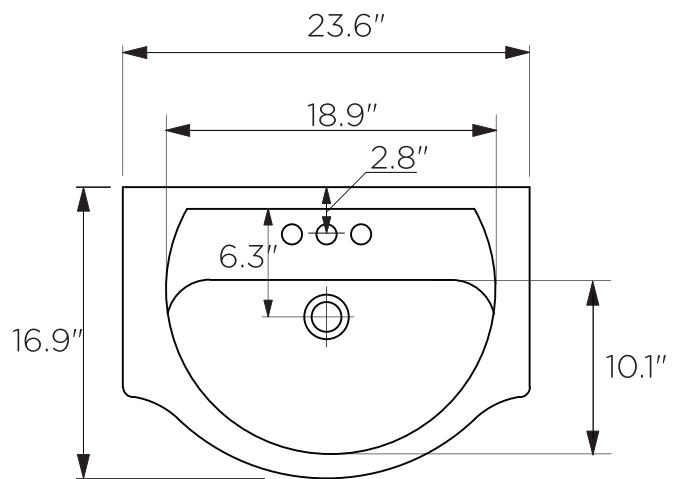
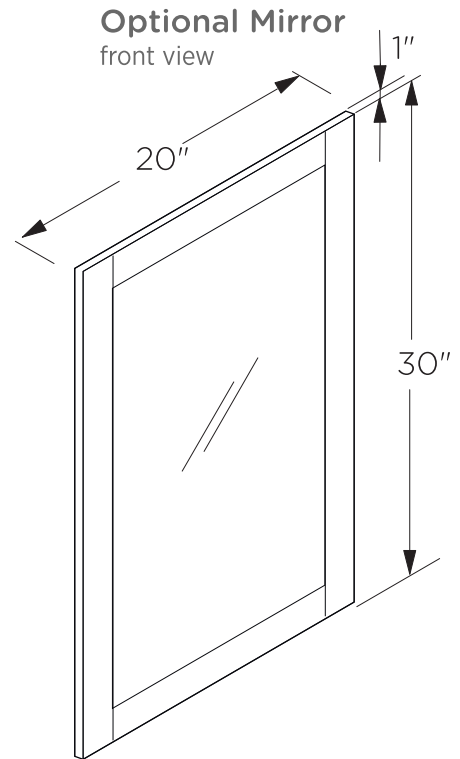
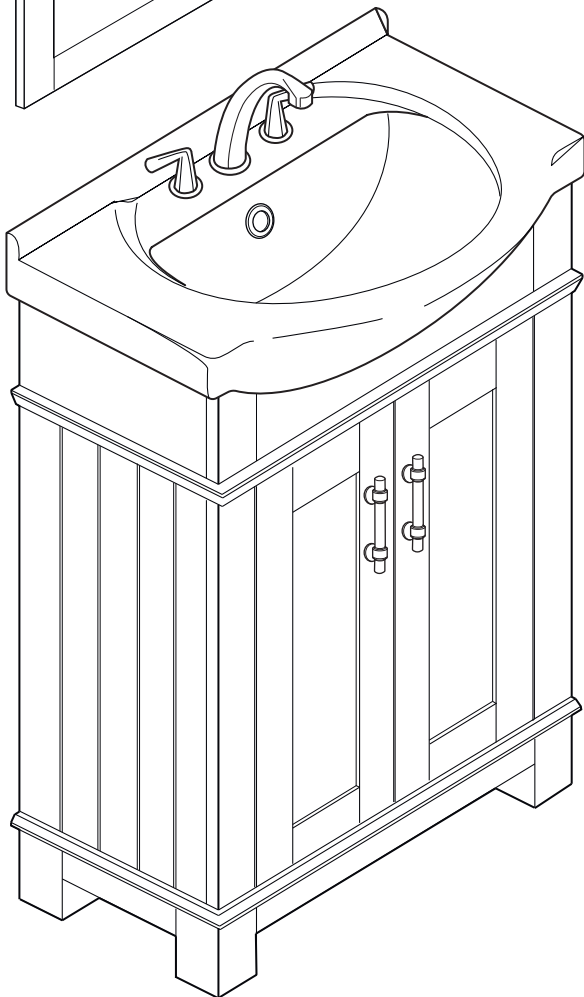




FVN2302
HARTFORD
INSTALLATION GUIDE



Vanity Ensemble
 front view

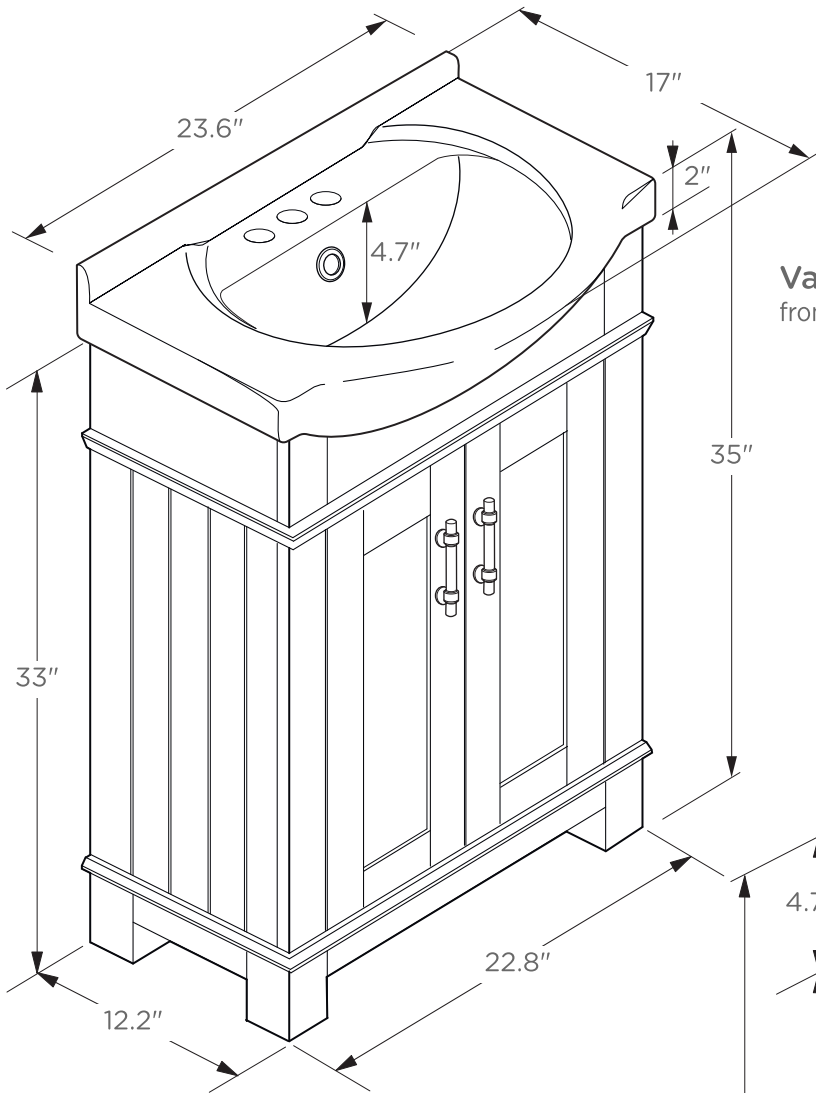


Sink
 top view

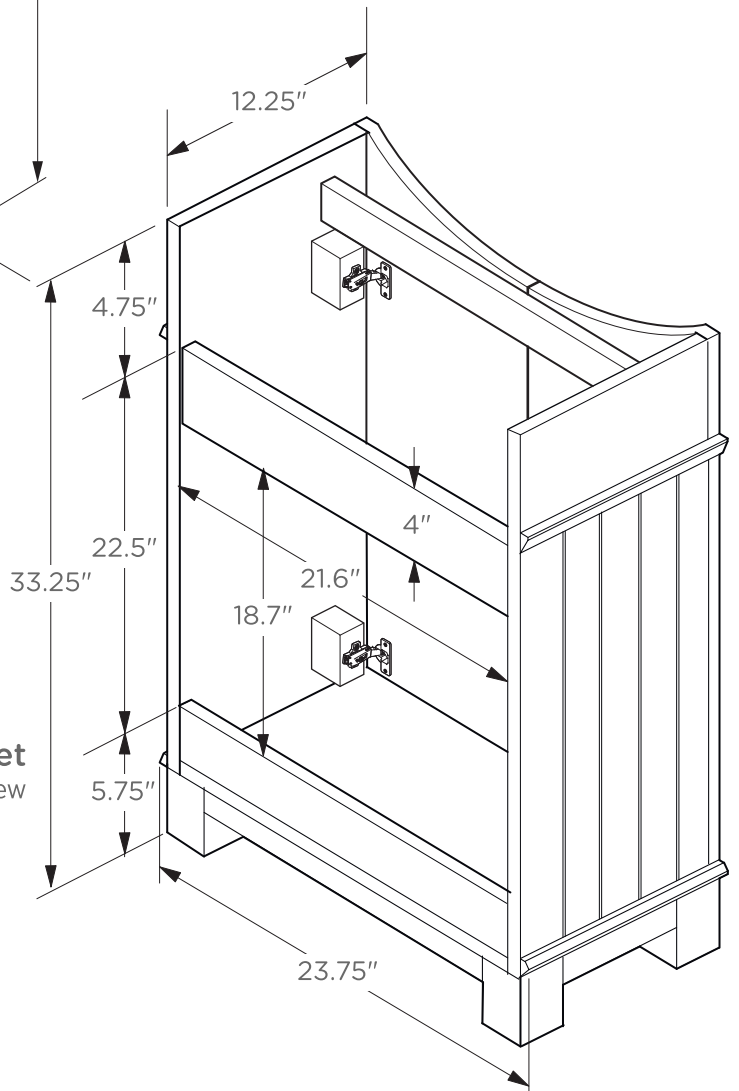
NOTE: ALL DIMENSIONS & SPECIFICATIONS ARE APPROXIMATE AND SUBJECT TO CHANGE WITHOUT NOTICE.



FVN2302
HARTFORD
INSTALLATION GUIDE



Vanity Cabinet
 front view



Vanity Cabinet
 rear view

NOTE: ALL DIMENSIONS & SPECIFICATIONS ARE APPROXIMATE AND SUBJECT TO CHANGE WITHOUT NOTICE.

MIRROR INSTALLATION

TOOLS FOR ASSEMBLY

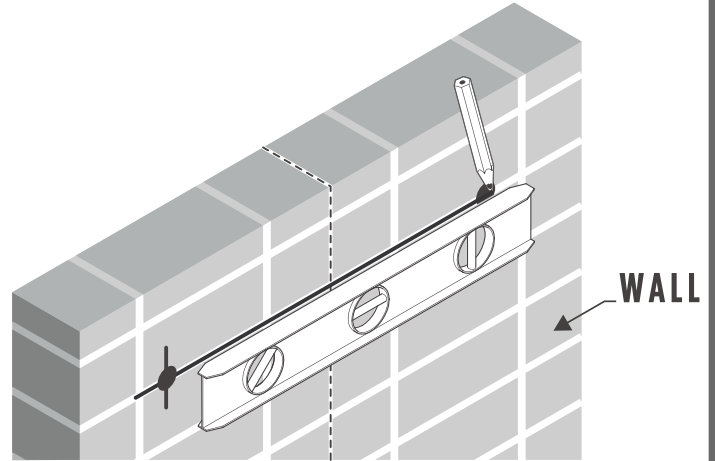
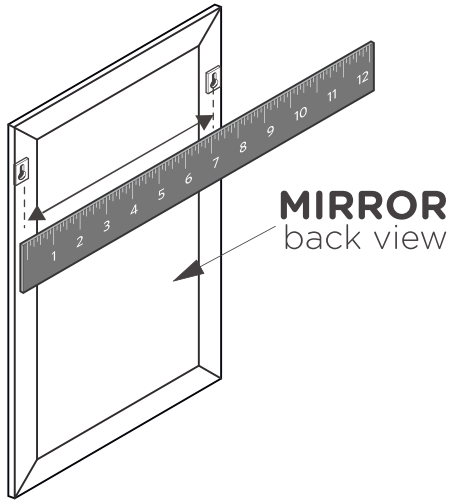


2

Mark the measured distance on the wall using a level

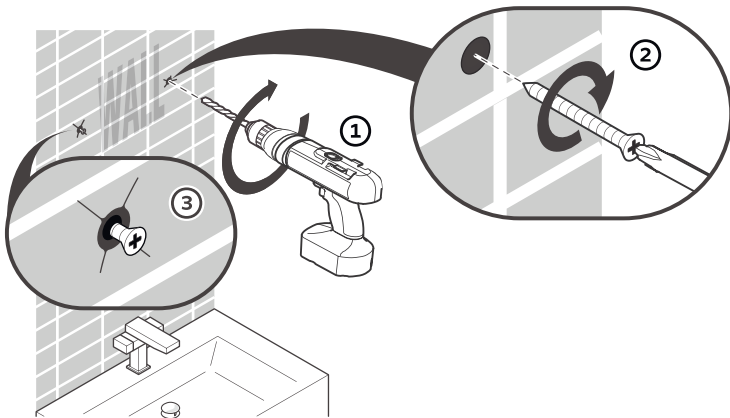
1

Measure the distance between the brackets on the back of the mirror



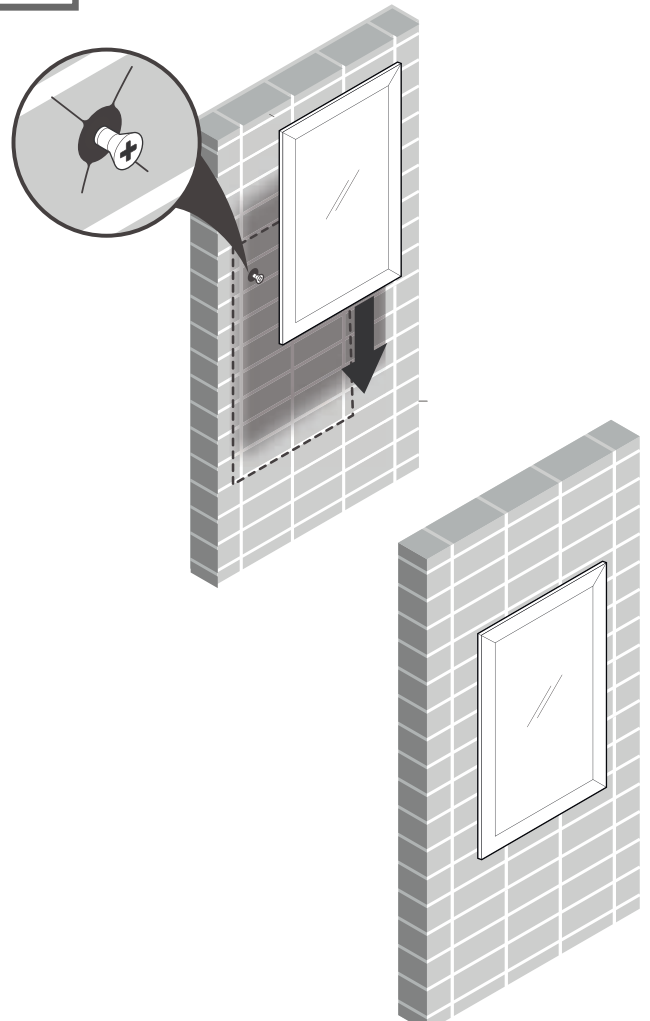
3

Once position is marked, drill 2 holes and insert anchors if stud is not available



4

Hang mirror on the wall

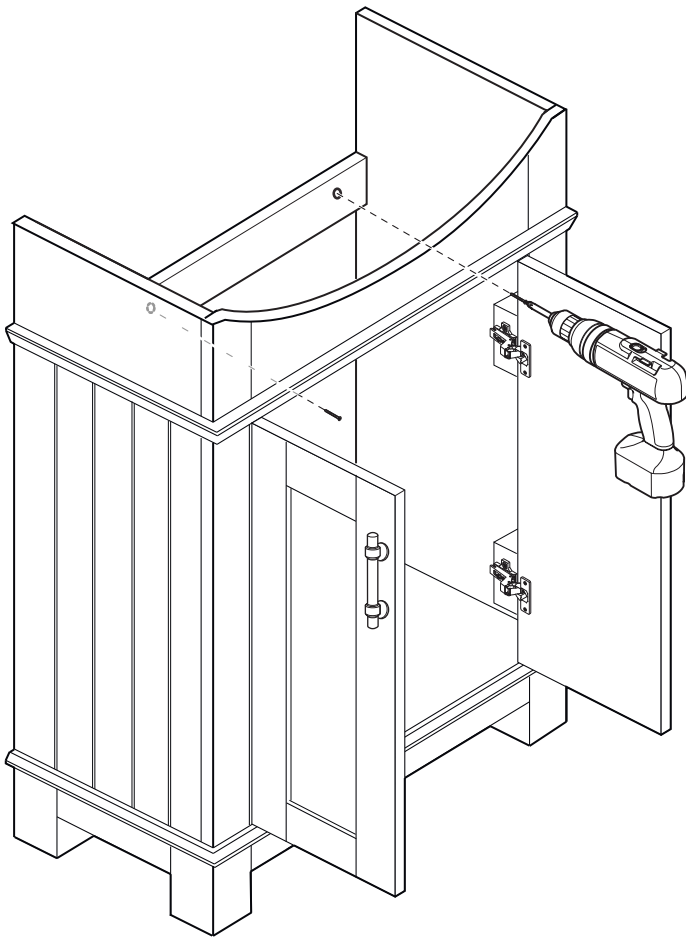


IMPORTANT:

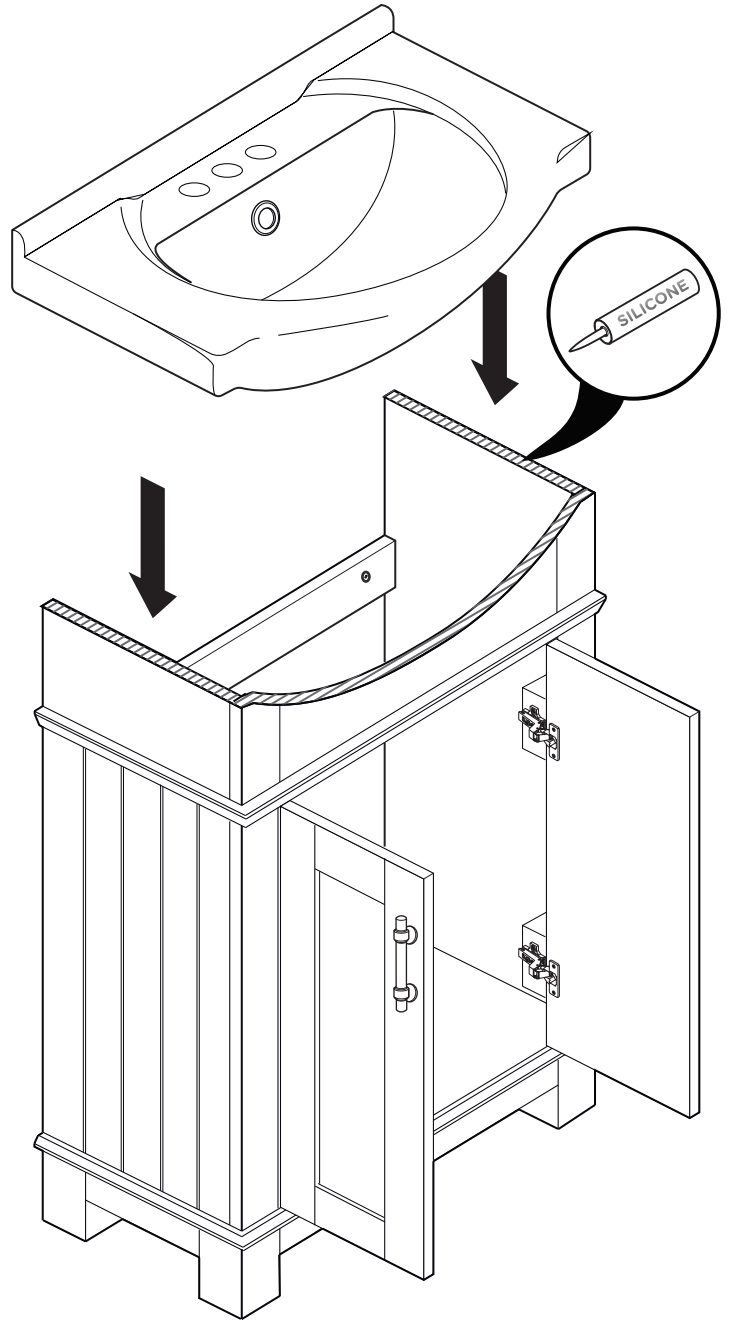
CONSULT AN EXPERT FOR THE PROPER SCREWS/BOLTS TO USE WHEN ATTACHING TO VARIOUS WALL CONSTRUCTIONS. SCREWS PROVIDED **DO NOT** ATTACH TO ALL WALL CONSTRUCTION TYPES.

CABINET INSTALLATION

1 Attach the cabinet to the wall.



2 Apply a bead of silicone on the top of the cabinet and place the sink on it.

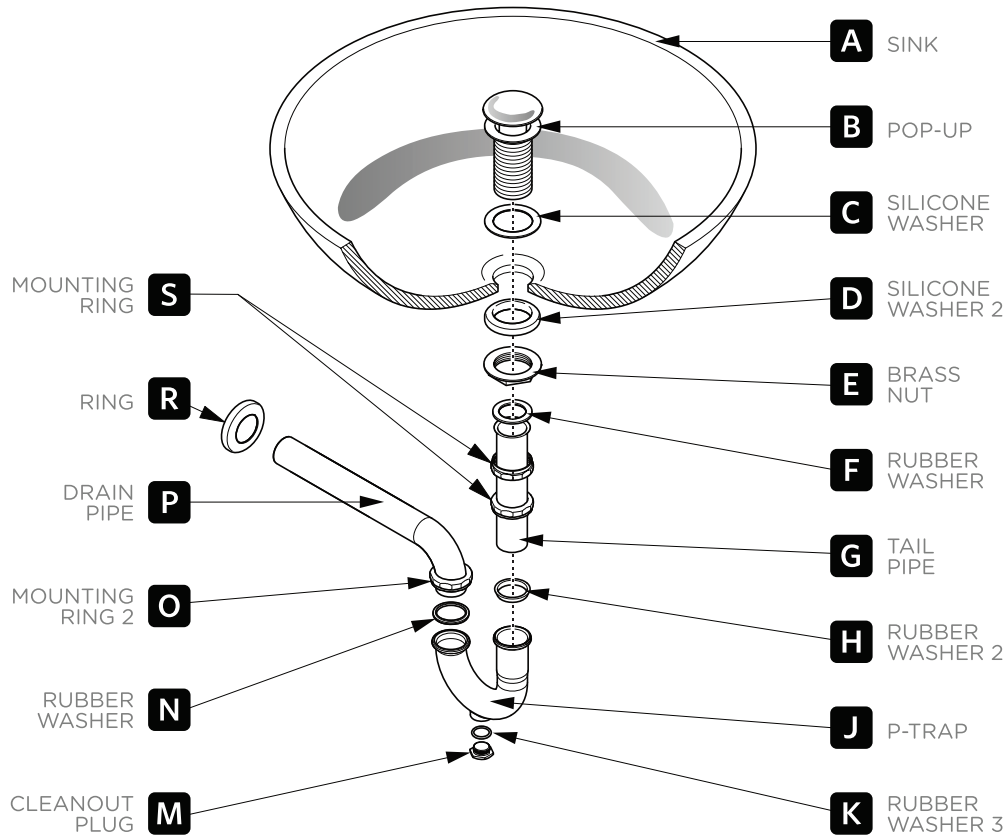


NOTE: Consult an expert for the proper screws/bolts to use when attaching to various constructions. Screws provided **do not** attach to all wall construction types. Anchors are not required if brackets are installed in stud.

P-TRAP & POP-UP

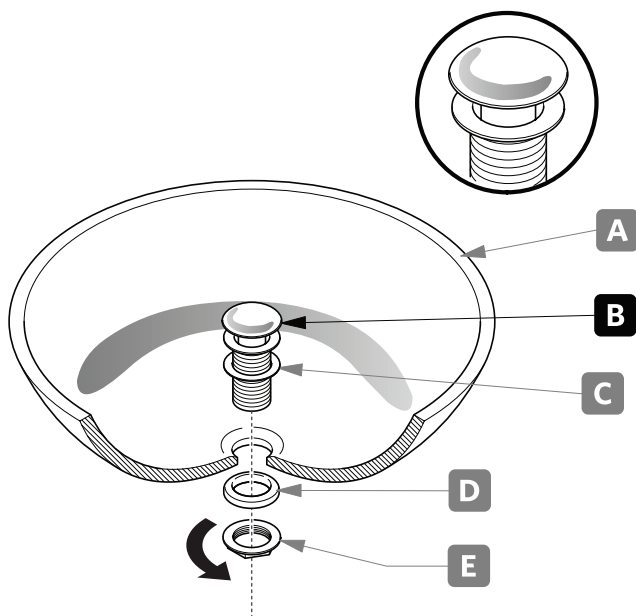
INSTALLATION INSTRUCTIONS

Your item may appear slightly different from the illustration.



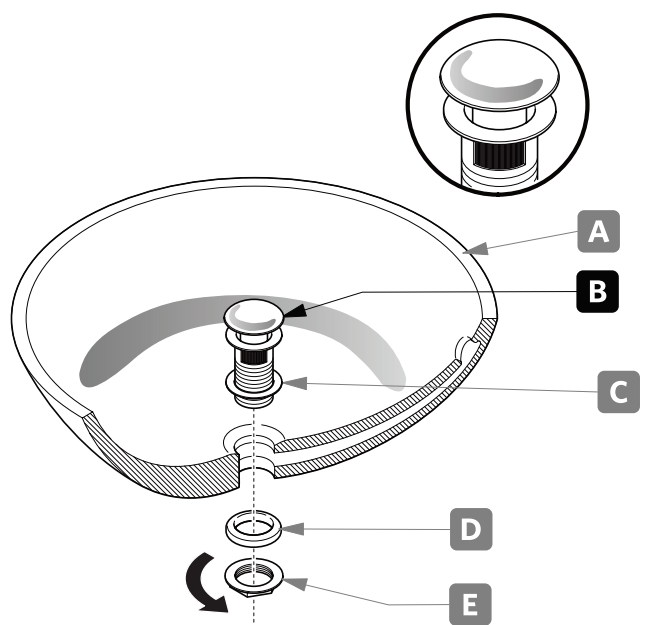
POP-UP INSTALLATION

FOR SINKS WITHOUT OVERFLOW



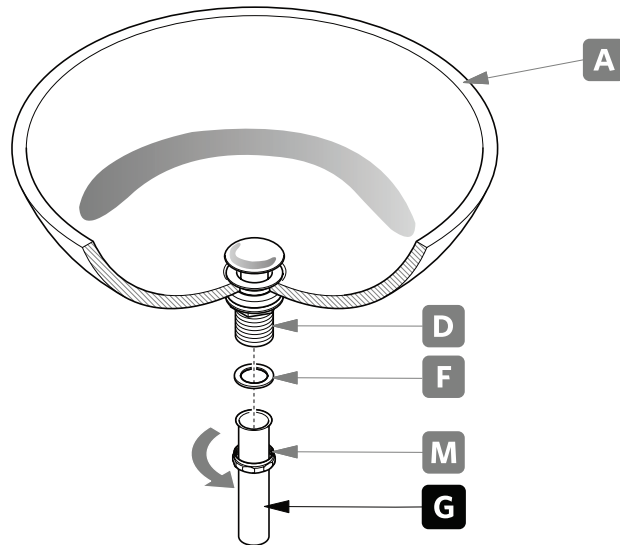
OR

FOR SINKS WITH OVERFLOW



P-TRAP INSTALLATION

1 Install tail pipe (G).



2 Install P-trap (J).

