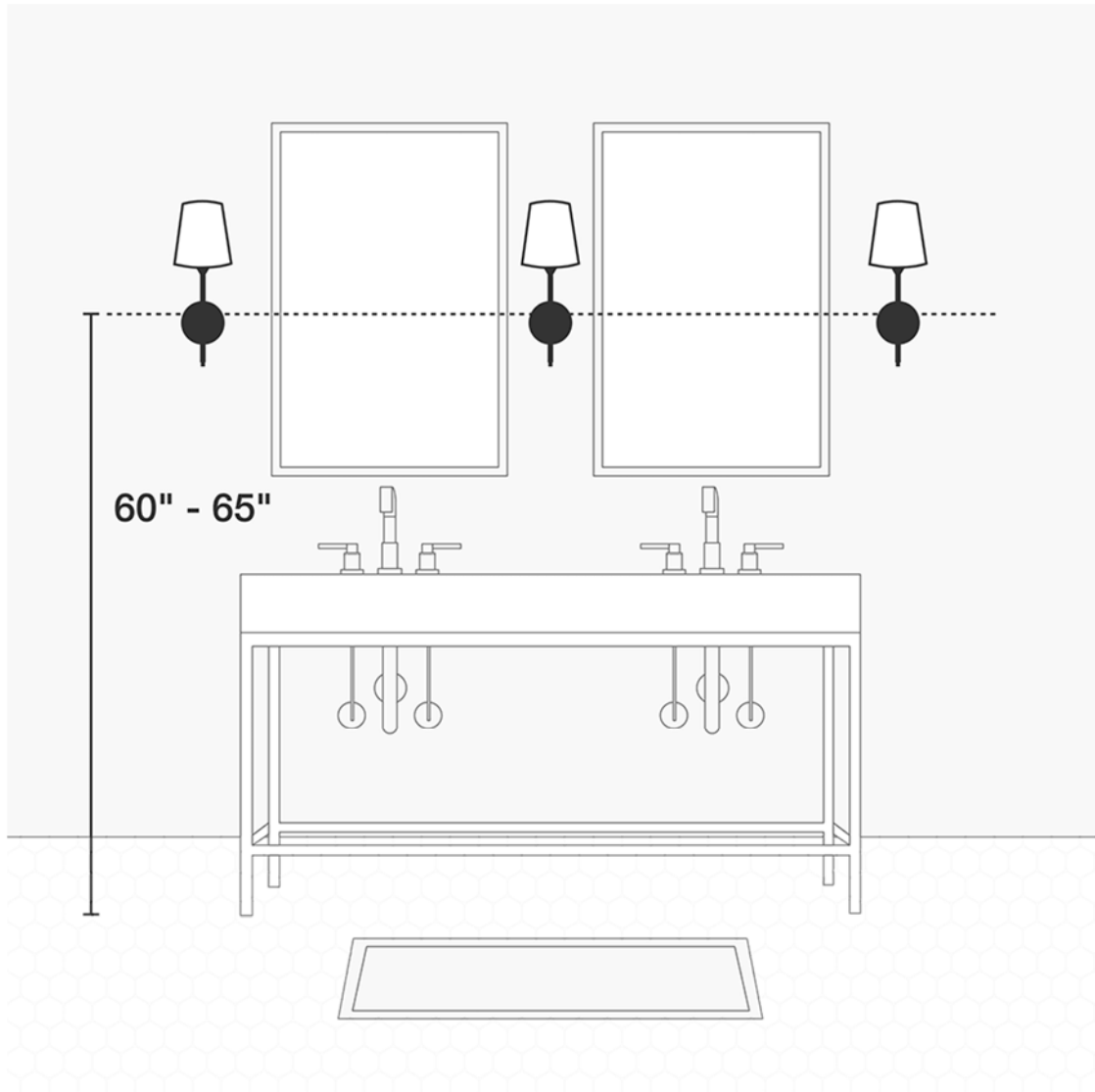
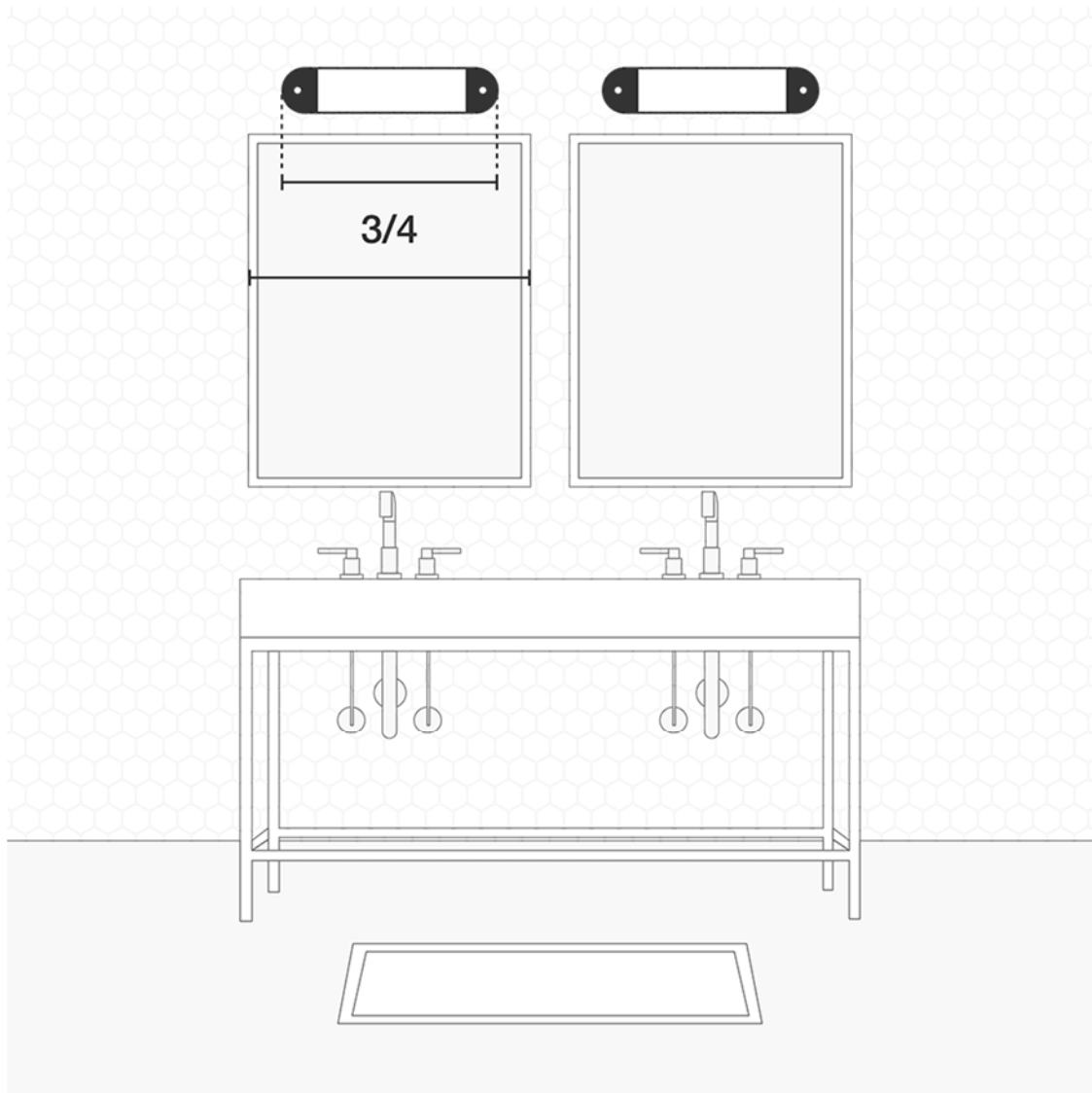


Wall Light Guideline



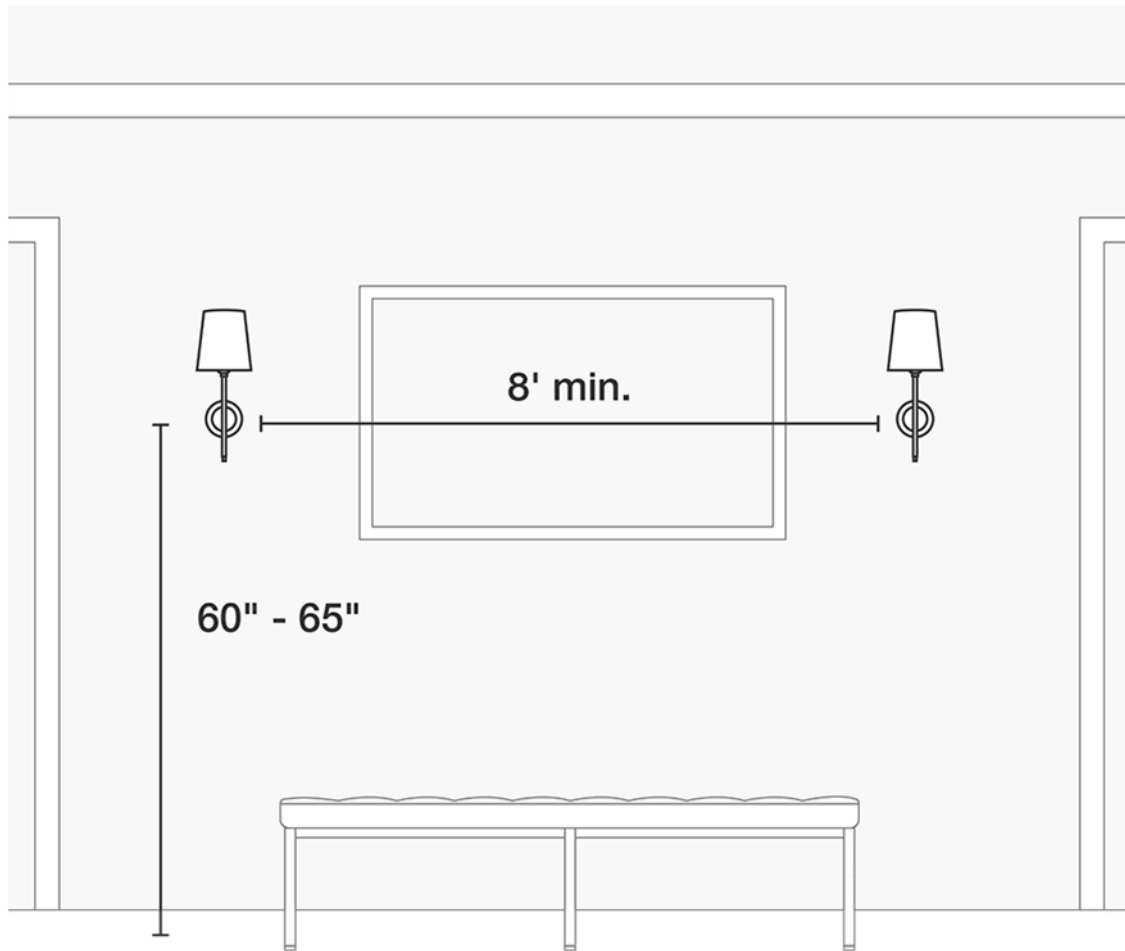
Beside a Bathroom Mirror

To evenly illuminate a bathroom mirror from either side, we recommend mounting your sconce(s) just above eye level, or about 60"- 65" from the floor to the center height of the sconce backplate.



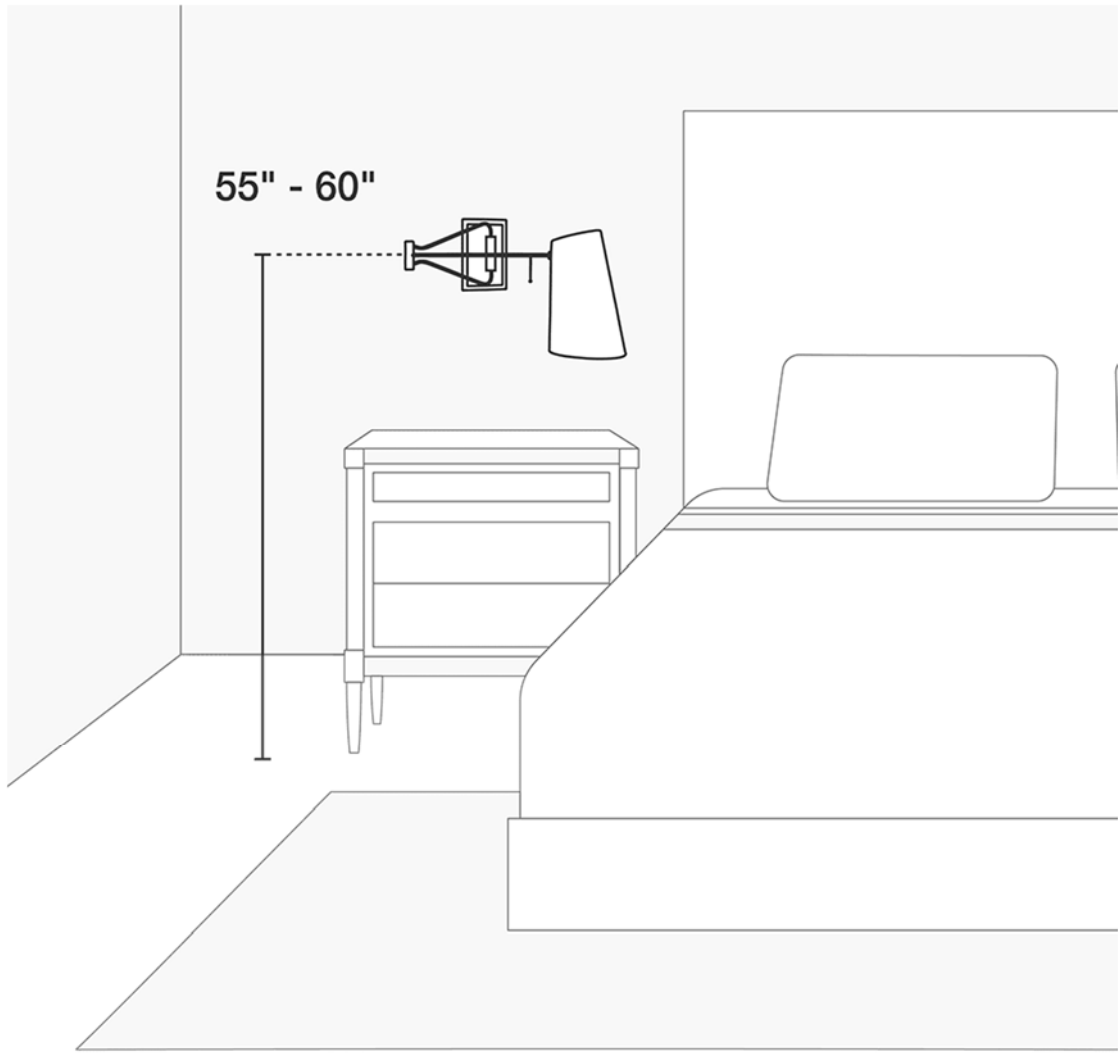
Above a Bathroom Mirror

The ideal linear bath light will measure at least $\frac{3}{4}$ the width of the mirror but not extend over its edges. For larger mirrors, consider mounting a pair of evenly-spaced linear sconces.



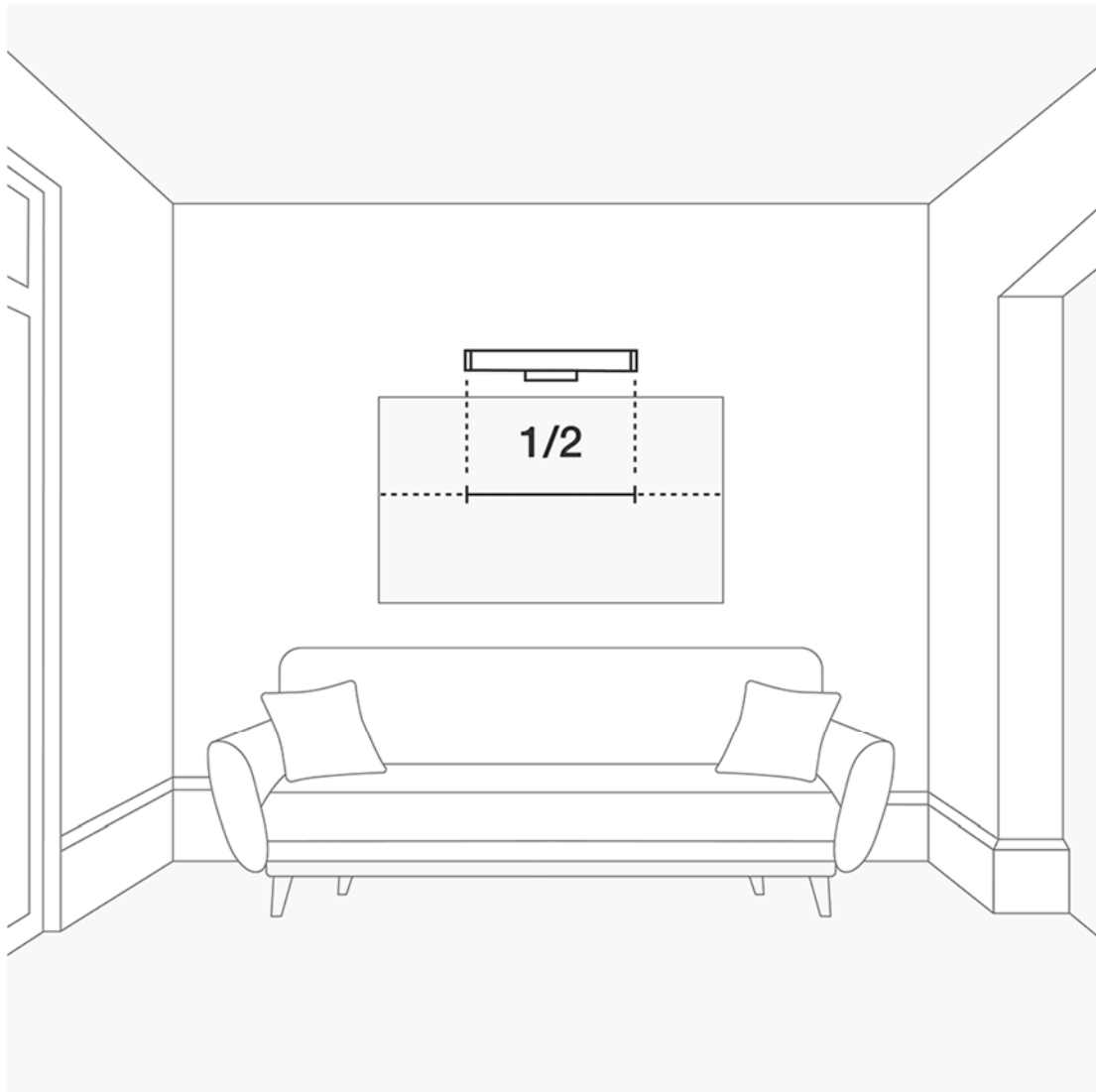
In a Hallway

When installing multiple wall sconces to accent a hallway, dining room or other living space, consider leaving a minimum of 8'- 10' between each fixture for a balanced spread of light.



Beside the Bed

If your sconce has a switch, be sure to install it where it can be easily reached from a sitting position in the bed. For best results, leave approximately 55"- 60" of space from the floor to the top of the sconce.



Picture Lights

As a rule of thumb, the width of the shade of your picture light should measure approximately $1/2$ the width of the frame or artwork below. For best results, position the light at a 30-degree angle from the illuminated artwork.