

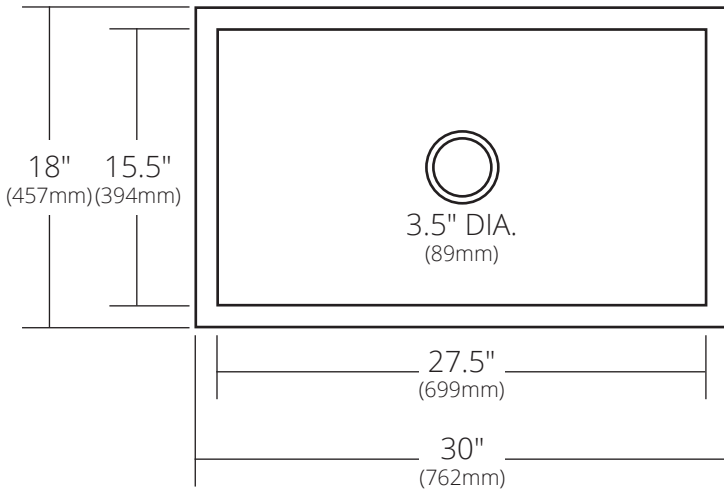
SPECIFICATIONS

FARMHOUSE 3018

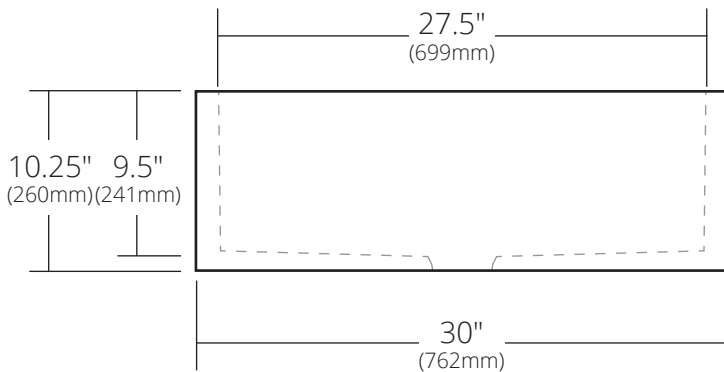
NativeStone® Collection



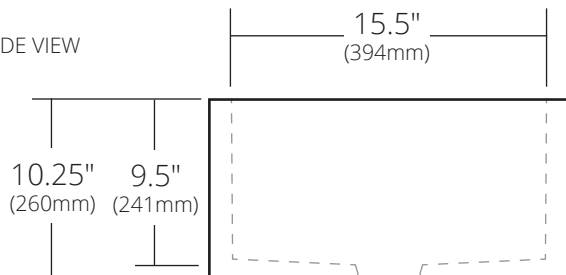
TOP VIEW



FRONT VIEW



SIDE VIEW



- NSK3018-A Ash
- NSK3018-S Slate
- NSK3018-P Pearl
- NSK3018-E Earth

PRODUCT DETAILS

- 30" x 18" x 10.25" OD (762mm x 457mm x 260mm)
- 27.5" x 15.5" x 9.5" ID (699mm x 394mm x 241mm)
- 3.5" (89mm) drain opening
- Handcrafted from sustainable NativeStone®
- Sealed with impermeable nano sealer

INSTALLATION

- Undermount
- Apron-front or concealed apron

COORDINATING PRODUCTS

- Drains: DR320 or DR340
- Bottom Grid: GR2614
- NativeStone® Sealer

STANDARDS COMPLIANCE

- UPC/cUPC compliant

IMPORTANT

Do NOT use tape or other adhesives on NativeStone® as it may remove the sealer.

Due to the handcrafted nature of this product, it will vary in finish, texture, and other details. Dimensions may vary up to .25" (6mm).