

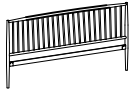
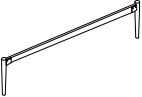
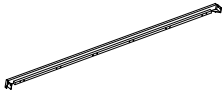

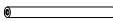





CARE AND MAINTENANCE

Wipe clean with a soft, dry cloth. Test the cleaning method on a hidden area before using them over the entire area.

NOTICE

- * Please make sure that you have all parts indicated before you begin assembly of this item.
- * This item should be assembled on a soft surface to prevent scratching the finished product during assembly.
- * This item may require periodic tightening.
- * Do not tighten bolts until completely assembled.

Part List and Hardware List

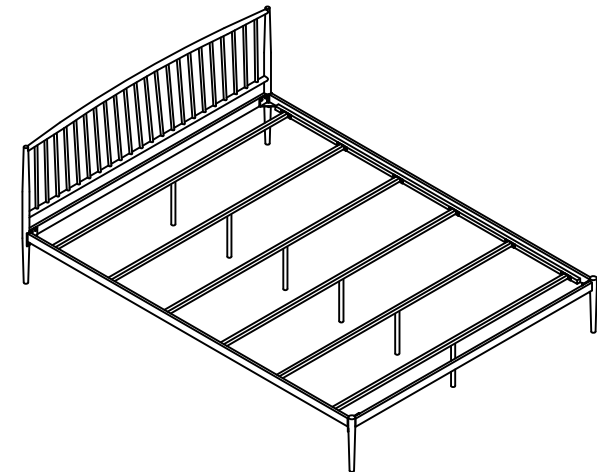
PIECE	DESCRIPTION	PICTURE	QUANTITY
A	Headboard		1x
B	Footboard		1x
C	Side Rail		2x
D	Metal Slat		6x
E	Support Leg		6x
H1	Allen Bolt	 1/4"*5/8"	36x
H2	Spring Washer	 1/4"	12x
H3	Flat Washer	 $\phi 16 * 1.0$	12x
H4	Allen Bolt	 1/4"*1-1/2"	6x
H5	Allen Key	 M4	1x

SAFAVIEH

C O U T U R E

Model# SFV2103-Q

Product Dimensions: 85-3/4"Wx62-1/2"Dx30"H



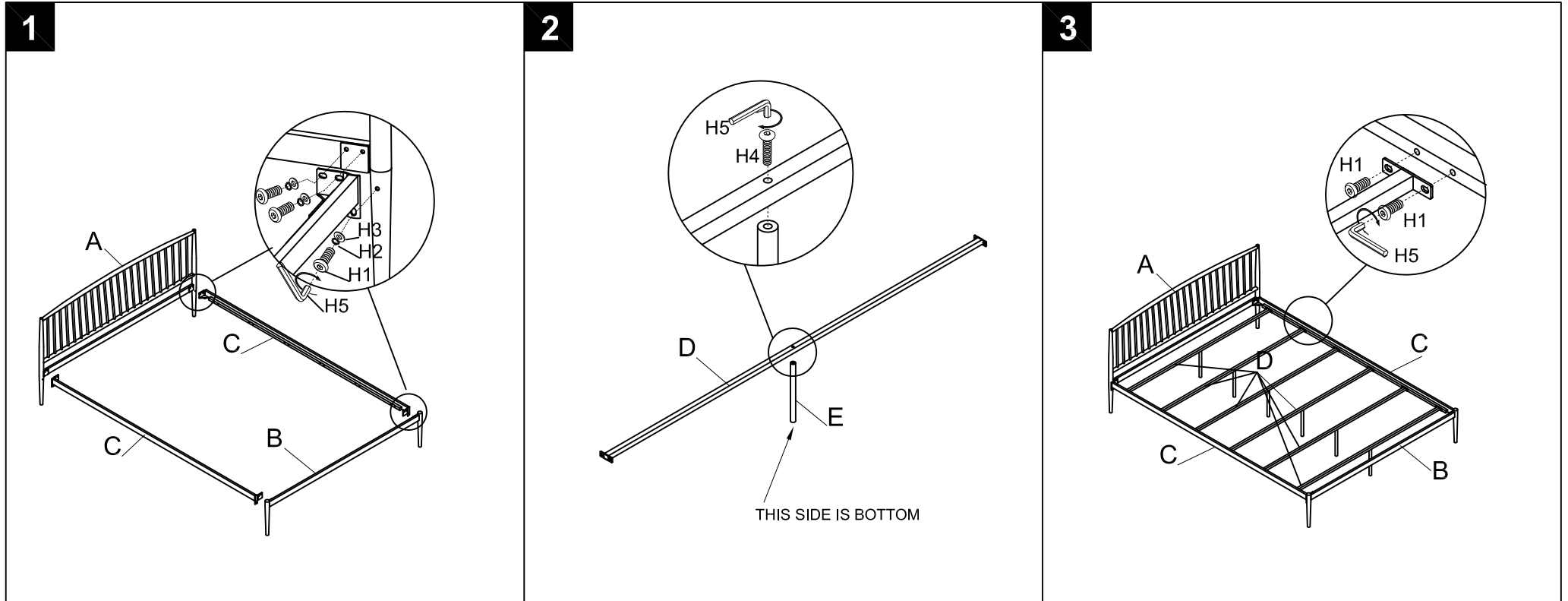
Weight capacity : 550lbs
WARNING : DO NOT STAND ON THE BED

PREPARATION

Before beginning assembly of product, make sure all parts are present. Compare parts with package contents list and hardware contents list. If any part is missing or damaged, do not attempt to assemble the product.

Estimated Assembly Time: 30 minutes.

Tools Required for Assembly (included): Allen Key



Step 1

Attach 2*side rails (C) with the Headboard (A) & Footboard (B) and aligning all screw holes, by using Allen Key (H5) to lock 12*Allen bolts (H1) with 12*Spring washers (H2) and 12*Flat washer (H3), as picture.

Step 2

Assembly 6*Support Legs (E) to 6*Metal Slats (D) by using Allen Key (H5) to lock 6*Allen bolts (H4), as picture.

Step 3

Attach assembled 6*metal slats (D) to both side rails (C), by using Allen Key (H5) to lock 24*Allen bolts (H1), as picture. Assembly is completed.