

# HAMLET 49" CENTER SINK CABINET

# ARIEL

FO49S



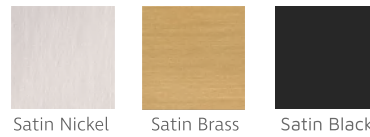
## BASE CABINET DIMENSIONS

48" W x 21.5" D x 34.5" H

## FEATURES

- Solid wood frame & plywood panels
- Dovetail drawers and joints
- Soft closing doors & drawers

## HARDWARE FINISHES



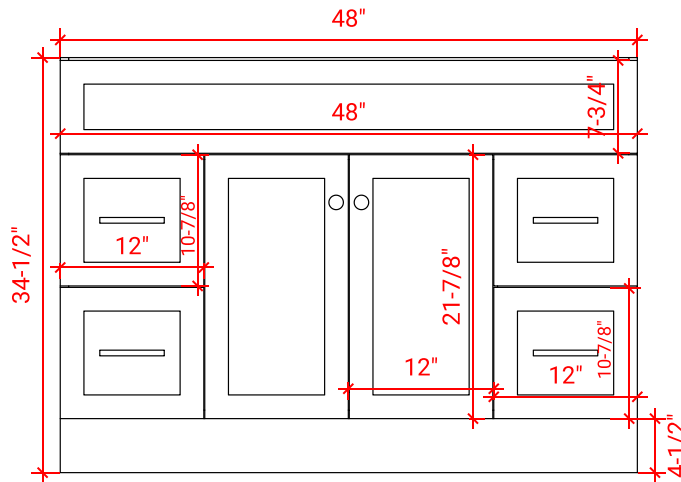
Satin Nickel Satin Brass Satin Black

## AVAILABLE COLORS

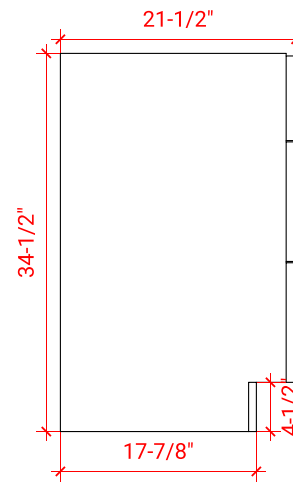


White Grey Black

FRONT VIEW



SIDE VIEW



PLAN VIEW

