

## ASSEMBLY INSTRUCTION

# SUNPAN

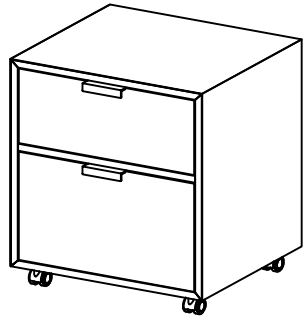
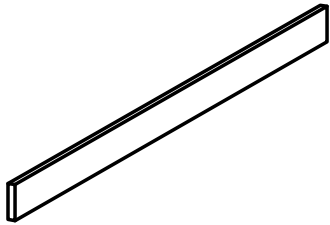
Sunpan Product Name: **JIRO FILE CABINET**

Please visit our website [www.sunpan.com](http://www.sunpan.com) for more great products

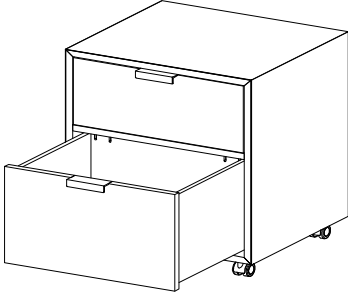
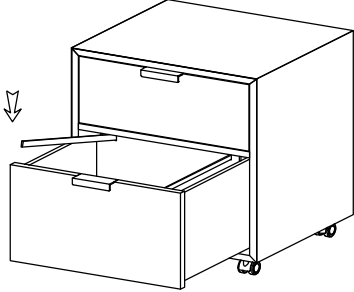
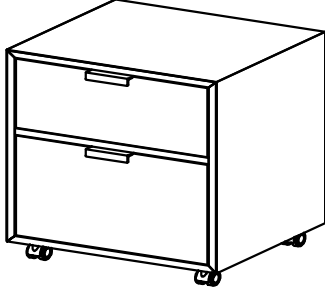
For assembly questions please call **1-800-787-1019 (or +1-416-736-0094)** outside North America or email to [info@sunpan.com](mailto:info@sunpan.com)

### PARTS LIST

Before you begin, please layout all parts and ensure you have the correct count.

PARTS	DESCRIPTION	QUANTITY	ILLUSTRATION
A	Cabinet	1	
B	Stainless Steel Bar	2	

## ASSEMBLY INSTRUCTIONS

STEPS	DESCRIPTION	ILLUSTRATION
1	Open the bottom drawer of the Cabinet (A).	
2	Insert the Stainless Steel Bars (B) into the empty slots.	
3	Assembly completed.	

### ASSEMBLY TIPS:

Please check parts and hardware before assembling. Follow each instruction step by step.

Place a protective pad or piece of cardboard on the floor while assembling your item on top of it.

Remove all parts from the carton and separate them into part numbers/groups as indicated on the part list.

Please follow instructions in the sequence as numbered to assure fast/easy assembly.

### WARNING:

Don't attempt to repair or modify parts that are broken or defective - if you find a broken part please contact us for replacement.

Keep all hardware parts out of the reach of children.

### FURNITURE CARE:

Following these few basic steps will help to ensure that you enjoy your furniture for a long time:

Do not expose your furniture to direct sunlight, dampness or any heat, like a hot cup of coffee or tea. Always use a coaster.

Excessive exposure to sunlight may cause fading.

Excessive temperature and humidity or cold may cause cracking or splitting.

Dust with a clean, damp, lint free cloth.

Use a damp cloth with water or mild detergent to clean all surfaces - do not use chemicals or paint thinner which will fade the surface.

Place a piece of felt or a pad under the legs of your furniture to avoid scratching the floor.