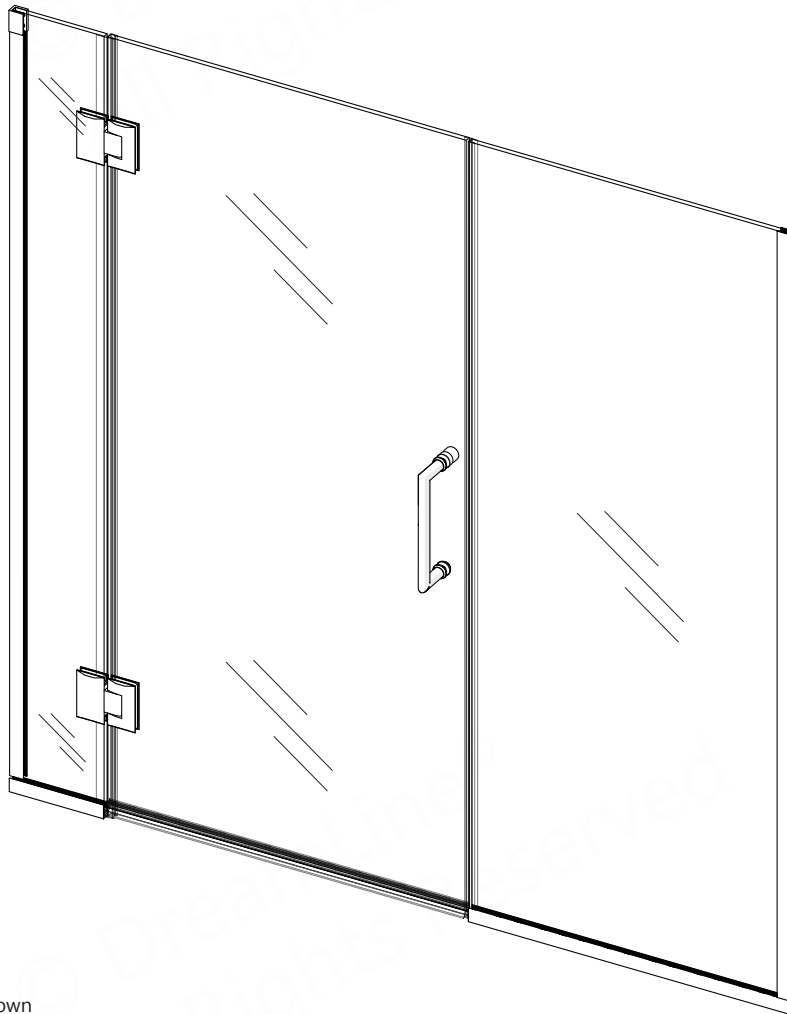




UNIDOOR-X

58×58 Tub Door Installation Instructions

PLEASE REVIEW THIS ENTIRE MANUAL PRIOR TO INSTALLATION



*left swing hinge panel installation shown

MODEL #s:
D58580-##

- ##=finish
- 01 - Chrome
 - 04 - Brushed Nickel
 - 06 - Oil Rubbed Bronze
 - 09 - Satin Black

IMPORTANT!

DreamLine® reserves the right to alter, modify or redesign products at any time without prior notice for the purpose of product improvement and customer experience. Please refer to the model's web page on **DreamLine.com** for the latest technical drawings, installation manuals, warranty information or additional product details.

Do Not Return Product to the Store. Contact DreamLine® with any questions



Questions?

Please Call **DreamLine Customer Support: 1-866-731-2244**
Hours of Operation M-F 8AM - 6PM EST

Support@DreamLine.com





This model is treated with DreamLine’s exclusive ClearMax™ Glass technology. This is a specially formulated coating that prevents the build up of soap and water spots.

Install the surface with the ClearMax™ label towards the inside of the shower. Please note that depending on the model, the glass may be coated on either one or both surfaces.

For best results, squeegee the glass after each use and dry with a soft cloth.

Record the following purchase information for your records or in the event you need to contact DreamLine®:

Purchase Order Number _____

Store/Vendor Purchased From _____

Installation Date _____

OD Number (optional) _____
*found on the shipping box or label if available.

Installed By: _____

SKU Number _____

Table of Contents

Section Title	Page #
ClearMax® Coating Information	—
Warnings and General Preparation	2
Hinge Panel Glass Warning	3
Model Specific Preparation	4
Tools	5
Detailed Diagram of Shower/Tub Door Components	6
Parts List	7-8
Installation Steps	9-37
Hinge Panel Glass Installation	10-18
Glass-to-Glass Hinge Assembly Installation	19
Door Glass Installation	20
Inline Panel Glass Installation	23-33
Handle Assembly Installation	24
180° Inline Strike Vinyl Installation	19
Hinge Side Vinyl Seal Installation	34-35
Bottom Sweep Vinyl Installation	36
Hinge Assembly Adjustment Procedure	38
Product Maintenance	39
Troubleshooting	40
Factory Parts Information	41

Symbol Legend



TIP - for ease of installation.



CORRECT - recommended.



NOTE - take note of special feature; additional information.

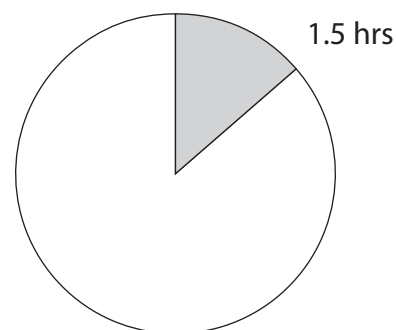


INCORRECT - not recommended.



REQUIRED - requires special attention; signifies a warning.

Average Installation Time





IMPORTANT

- DreamLine® reserves the right to alter, modify or redesign products any time without prior notice for product improvement and customer experience. Please refer to the model's web page on DreamLine.com for the latest technical drawings, installation manuals, warranty information or additional product details.
- This product should be installed by someone familiar with the construction requirements for this type of project and the care necessary for the safe installation and operation of the product.
- The safety of any installation is the responsibility of the installer.
- Professional installation recommended. (*All Models*)
- Professional installation required. (*Enigma Series*)
- To prevent damage or serious injury, Do Not lean against the installed panel/door/glass.
- To prevent damage or serious injury: Do Not attempt to lift or move a heavy lite of glass alone. Use an assistant and/or a professional grade glass suction cup.
- The installation of some models may require drilling down into the threshold. Contact the manufacturer of the base, tub, or threshold material with any questions regarding the drilling of holes into their product.
- All drawings in this installation manual are for illustrative purposes only and are not drawn to scale.

TEMPERED GLASS WARNING

- Your Shower Door Glass Could Shatter Without Warning if Improperly Installed or Mishandled
- Do Not install or operate a shower door if the glass has chipped corners, slivered edges or is otherwise damaged and/or has been dropped or banged into a hard surface such as tile, marble or glass.
- **The main causes of tempered glass breakage are:**
 - Improper handling, storage or installation
 - Misuse/abuse
 - Lack of maintenance
 - Failure to replace damaged glass
 - **Improper handling during storage, unpacking and installation:**
 - Corners and edges are the most susceptible area to damage on a lite of tempered glass and should be protected and handled with care during storage, unpacking, installation and operation. A concentrated point of pressure or impact with a surface harder than itself may cause the tempered glass to shatter. The tempered glass may release immediately, within several hours or even days later.
 - **Incorrect installation of door hardware, rollers, hinges, channels, stopper or glass:**
 - Improper installation may include: loose hardware and/or lack of proper gaskets between the hardware and glass. Additionally, improper alignment of guide rails, wall profiles or other hardware during installation or operation may place stress on the glass edges and cause it to break.
 - This product must be installed by a professional and experienced installer familiar with the safe handling of tempered glass.
 - **Improper use of this product:**
 - Aggressively opening or closing the door may cause trauma to the glass, which can lead to breakage. This may occur immediately or hours or even days later.
 - **The shower door hardware and glass should be inspected periodically:**
 - Instruct the homeowner how to perform a periodic inspection of the shower hardware and glass - some minor adjustments may be necessary based upon the use (or misuse) of the shower door. Ensure that the hardware remains tight and that the door alignment and operation are correct. Any adjustments should be made upon discovery to prevent damage to the product.
 - Additional considerations should be given to the installation of frameless tempered glass products in households with young children or an elderly person due to an increased chance of improper handling. In such cases, alternatives such as shower curtains or grab bars should be considered.

GENERAL PREPARATION

- After opening all boxes and packages, read this introduction carefully. Check that all the items are included in the package by marking off the components on the "**Detailed Diagram of Product Components**" page. Examine all boxes and packages for shipping damage. If the unit has been damaged, has a finishing defect, or is missing parts; please contact our Customer Support department within 3 business days of the delivery date. **Please note that DreamLine® will not replace any damaged products or missing parts free of charge after 3 business days or if the product has been installed.** Please contact DreamLine® if you have any questions.
- **Please note that you should refer to your local building codes with questions on installation compliance standards. Building and plumbing codes may vary by location, and DreamLine® is not responsible for code compliance standards for your project and will not accept any returns.**
- If this unit is going to be installed in a new construction, install all the required plumbing and drainage before installing the shower. **Use a competent and licensed (if required by local code) plumber for all plumbing installation.**
- Make sure that prior to beginning the installation, the surfaces are leveled and solid and will be able to support the total weight of the unit. Also make sure the walls are at right angles. Irregular installation surface level, radius corners or improper angle of side walls will result in serious problems for your installation. Please note that some adjustments and drilling will be necessary during the installation process.
- Protect all primary surfaces of the product during installation. Never set your glass down directly onto a tile floor. Leave corner protectors in place until it is necessary to remove them. Always use a piece of wood or cardboard to protect the bottom edge and corners of the glass prior to and during installation.
- This unit must be installed upon a finished threshold and against finished walls.
- *DreamLine® shower doors are not designed to be installed into a fiberglass surround due to the radius corners and lack of a solid surface to mount the hardware.*

WARNING: TO AVOID THE RISK OF DAMAGE OR INJURY:

- **Follow all recommendations and requirements as shown in the installation instructions.**
- Perform a thorough inspection of the glass and all parts for any damage prior to installation. Any damage to tempered glass can cause breakage. **Do Not install damaged glass!**
- Do Not install or operate a shower or tub door if the glass has chipped corners, slivered edges or is otherwise damaged. Do Not install or operate a shower or tub door that has been dropped or banged into a hard surface such as tile, marble or glass.
- **CAUTION:** Contact with any hard surface can damage tempered glass and cause it to shatter.
- This product uses tempered glass. Glass cannot be cut after it has been tempered. **Do Not attempt to cut tempered glass.**
- DreamLine® Glass Shower doors, Tub doors, Inline panels, and Return panels can shatter due to improper handling or lack of maintenance. Conduct periodic inspections of glass and all parts for possible damage, missing or loose parts.
- Always wear proper safety equipment such as: safety goggles, work gloves and appropriate footwear during the installation process.
- **WARNING. Risk of leakage and/or damage.** Follow all instructions regarding the application of silicone sealant or caulk. Allow 24 hours for the sealant to cure before the initial use of the shower or tub product. Follow the silicone manufacturer's recommendations regarding the use of their product.
- **Thoroughly read these instructions before installing or using this product.**
- **Leave this manual for the end-user of the product.**



This product should be installed by someone familiar with the construction requirements for this type of project and the care necessary for the safe installation and operation of the product.



Hinge Panel Glass Warning



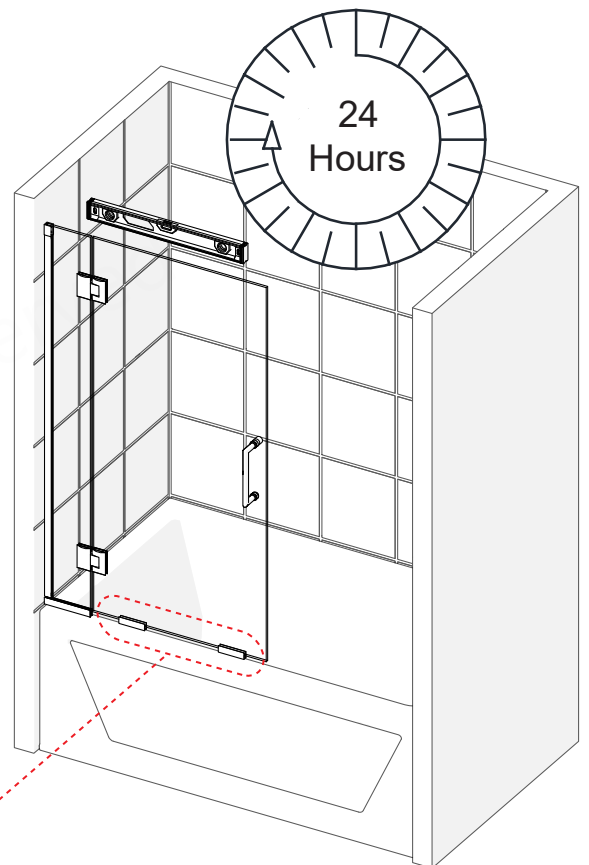
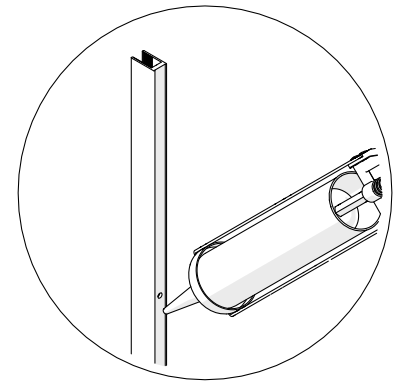
The hinge panel glass must be properly installed and secured to support the weight of the door glass!

Failure to follow these steps may result in the hinge panel glass pulling out of the u-channel!

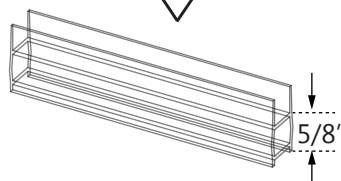
Allow the silicone to fully cure for the Hinge Panel Glass before installing the Door Glass!

IMPORTANT STEPS TO FOLLOW:

- ❑ Use a good quality, mildew -resistant 100% silicone caulk - a quick-drying or fast-curing silicone is recommended for the installation of hinge panel glass into the u-channels
- ❑ Apply enough silicone into the u-channels to secure the panel glass
- ❑ Fully tighten the hinge panel glass bracket or L-Bar™ during the installation of hinge panel glass
- ❑ **DO NOT remove the spacers or shims from beneath the door glass for 24 hours to allow the silicone to fully cure to hold the hinge panel glass**
- ❑ **The hinge panel glass for this model should not be adjusted more than 1/4" (6.35mm) within the u-channel for an out-of-plumb wall condition**



Leave the provided 5/8" (16mm) spacer shims beneath the Door Glass (#01) for 24 hours. If time allows, delay installing the Door Glass onto the Hinge Panel Glass (#32) for 24 hours until the silicone securing the hinge panel glass has fully secured. The shims also maintain proper spacing between the bottom of the Door Glass and tub deck.

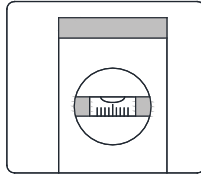


Model Specific Preparation

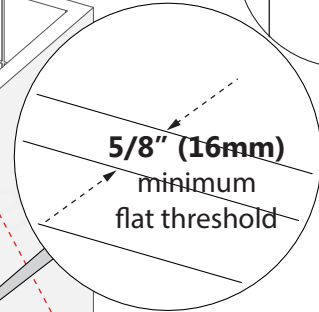
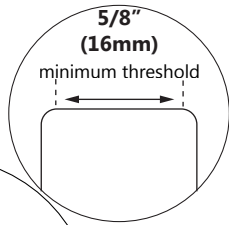
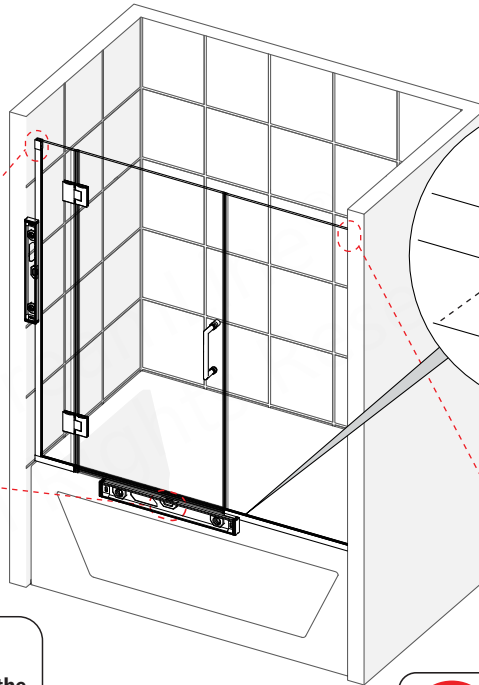
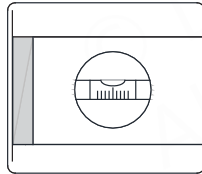
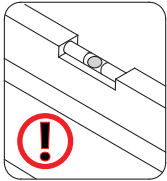


REQUIRED:

1/4" (6.35mm) Out-of-Plumb Adjustment within the u-channel on the hinge panel glass side; Verify threshold and walls with a level

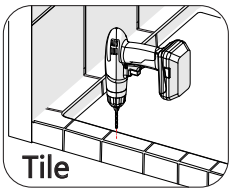


Threshold must be level

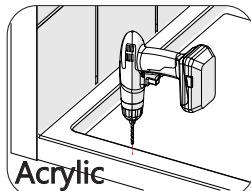


1/2" (12mm) Out-of-Plumb Adjustment within the u-channel on the inline panel glass side; Verify threshold and walls with a level

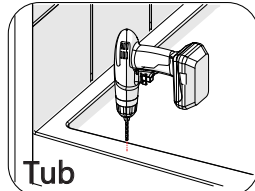
Leave corner protectors on the glass until it is necessary to remove them!



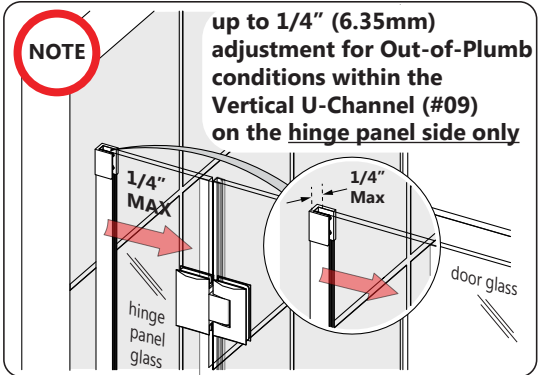
Tile



Acrylic



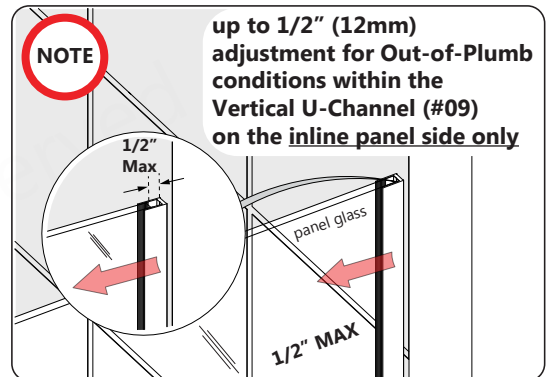
Tub



NOTE

up to 1/4" (6.35mm) adjustment for Out-of-Plumb conditions within the Vertical U-Channel (#09) on the hinge panel side only

left-hand hinge panel glass installation shown



NOTE

up to 1/2" (12mm) adjustment for Out-of-Plumb conditions within the Vertical U-Channel (#09) on the inline panel side only

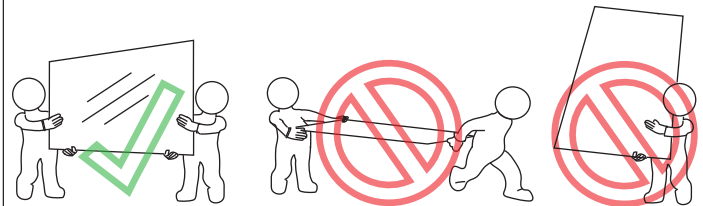
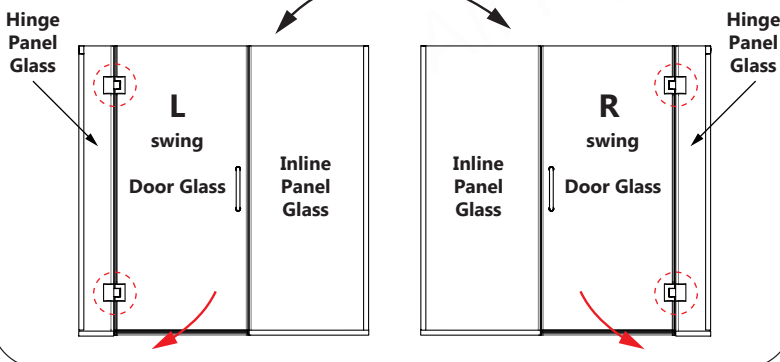
right-hand inline panel glass installation shown

NOTE

Contact the manufacturer of the base, tub or threshold material with any questions regarding the drilling of holes into their product.

TIP

The UNIDOOR-X Series doors and enclosures are reversible for right or left-swing Door Glass installation. The left-swing Door Glass installation is shown as an example throughout this manual. For the right-swing installation, simply begin on the opposite wall and reverse the orientation of the steps shown.

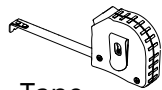


Professional installation and two installers are recommended for this model.

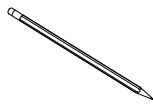
Tools



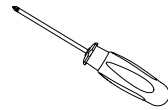
Level



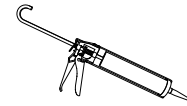
Tape Measure



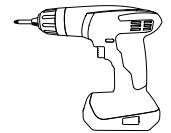
Pencil



Phillips Screwdriver



Silicone



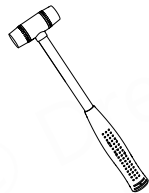
Power Drill



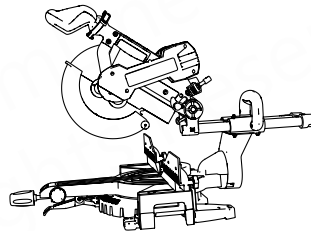
Drill Bit
Ø1/8"
(3mm)



Drill Bit
Ø5/16"
(8mm)



Soft Head Hammer



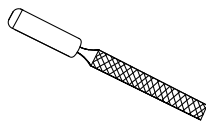
Mitre Saw



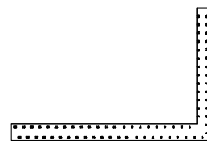
Safety Glasses



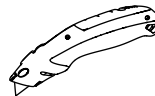
Work Gloves



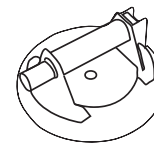
Metal File



Carpenter's Square



Razor Knife



Professional-grade
Glass Suction Cup
(*optional but recommended)



Verify that the correct model size has been ordered; measure the finished opening **before** proceeding with the installation. Confirm that the finished walls are plumb and the threshold is level and pitched into the shower area.

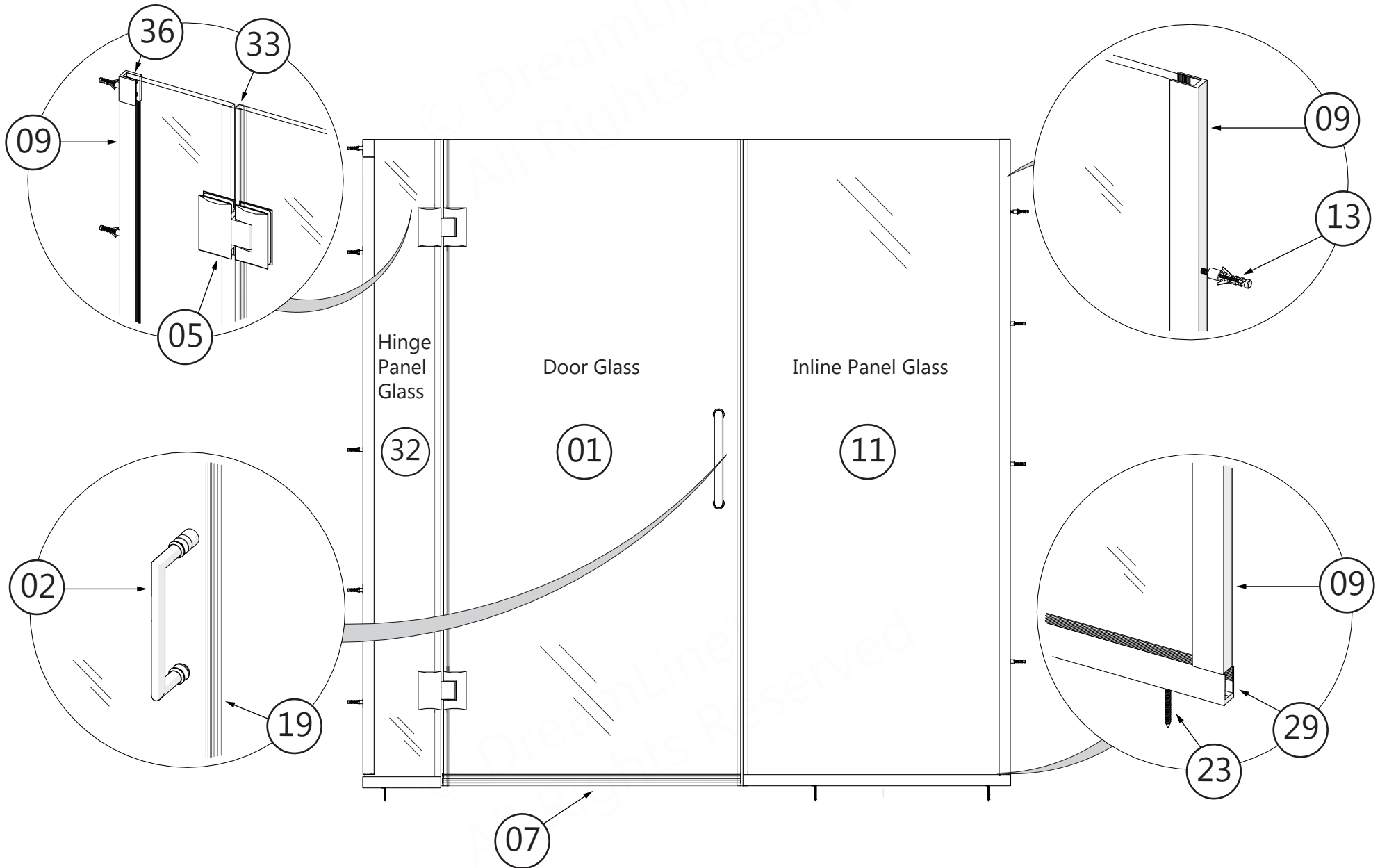
Use a good quality waterproof, mildew-resistant 100% silicone caulk.

Cover the shower/tub drain with tape prior to installation to prevent the loss of screws or small parts.



Unpack your unit carefully and inspect it. Lay it out and identify all parts using the **Detailed Diagram** on page 6; and packing list in this manual as a reference. Before discarding the carton, check for small hardware bags that may have fallen to the bottom of the box. If any parts are damaged or missing, please contact DreamLine® for replacement. The shipping boxes may contain extra parts not used in your model configuration. Retain these installation instructions for future reference.

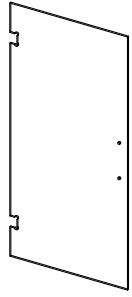
Detailed Diagram of Tub Door Components

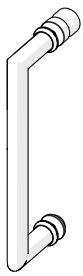


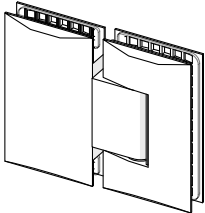
*left swing hinge panel installation shown

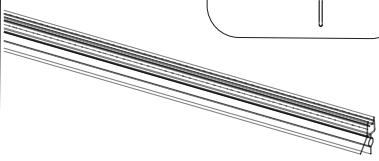
For Model #:
D58580-01/04/06/09

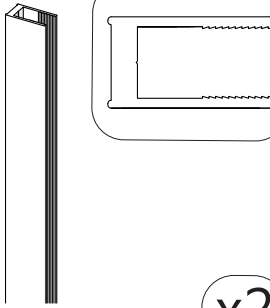
Parts List


01  x1
Door Glass

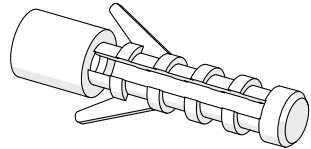
02  x1
Single-sided Handle

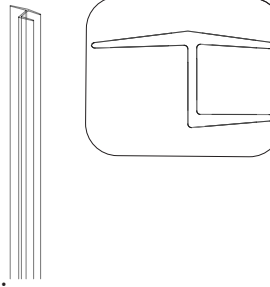
05  x2
Glass-to-Glass Hinge Assembly

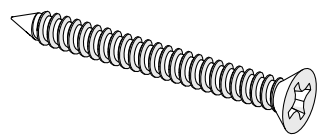
07  x1
Bottom Sweep Vinyl

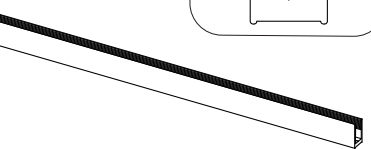
09  x2
Vertical U-Channel


11  x1
Inline Panel Glass

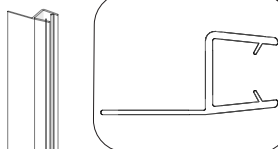
13  x15
Ø5/16" (8mm) Wall Anchor

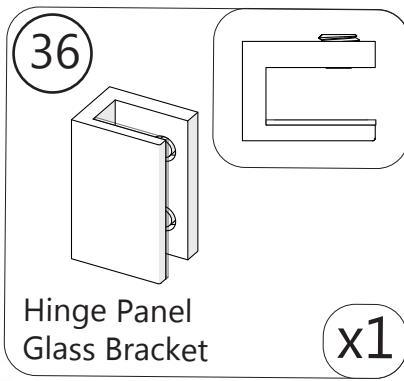
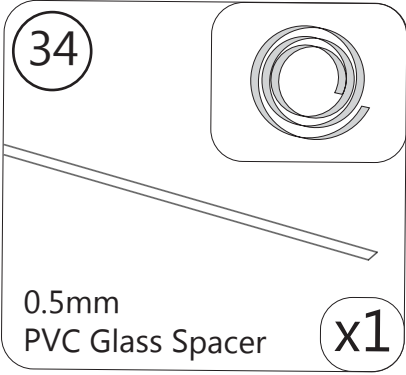
19  x1
180° Inline Strike Vinyl

23  x15
ST4.2x40mm Countersunk Screw

29  x2
Bottom U-Channel

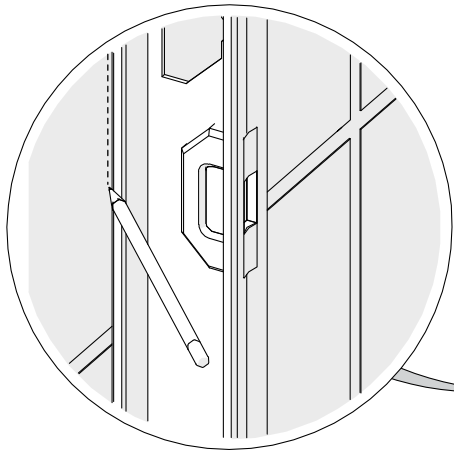
32  x1
Hinge Panel Glass

33  x1
Hinge-side Strike Vinyl

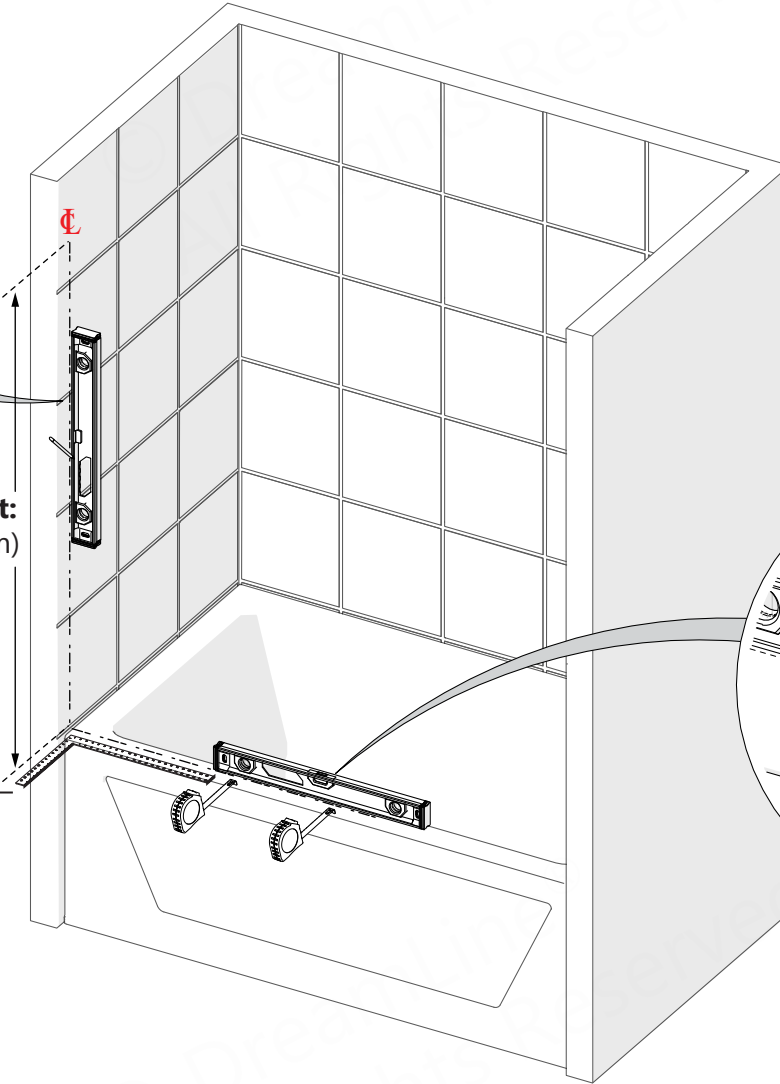


Installation Steps

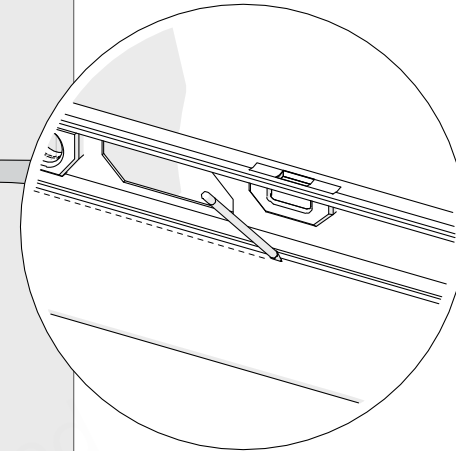
1



Model Height:
58" (1473.2mm)

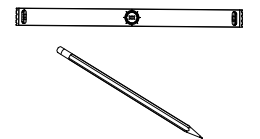


Use a carpenter's square to maintain a straight centerline (⊥) during marking.



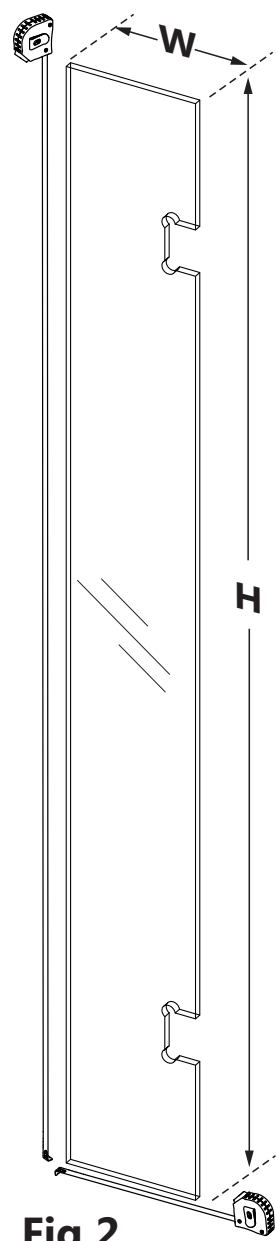
Confirm the walls and the threshold/tub deck are plumb and level. Draw a line on the threshold and wall to represent the centerline (⊥) of the U-Channels. Make sure the line is parallel to the front edge of the threshold/tub deck.

Tools Needed



2

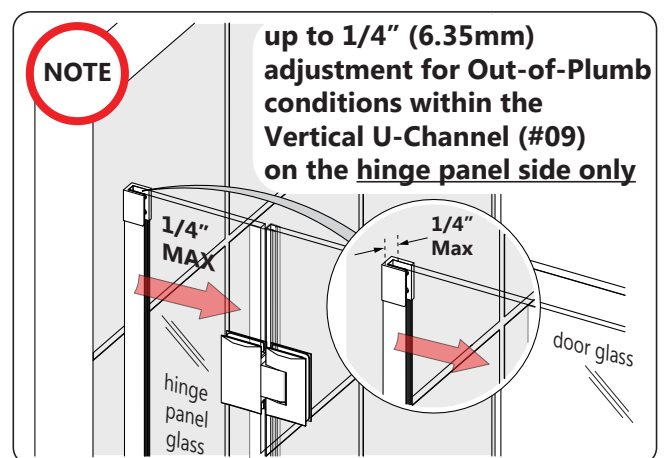
Hinge Panel Glass Installation



Hinge Panel Glass Width (W)



Hinge Panel Glass Height (H)



left-hand hinge panel glass installation shown

! The Hinge Panel Glass (#32) has a top and bottom and must be installed correctly to properly support the weight of the Door Glass (#01)!

TOP

7-7/8" (200mm)

top hinge cutout to center

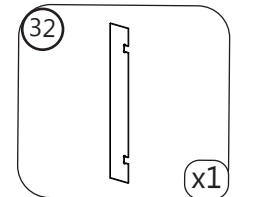
8-3/8" (213mm)

bottom hinge cutout to center

BOTTOM

TIP
Use a dry-erase marker to label the top and bottom of the Hinge Panel Glass (#32).

Parts Needed



Tools Needed

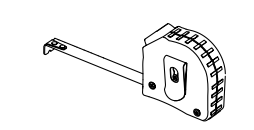


Fig 2

3

Cut the Vertical U-Channel to:
Glass Height (H) (-) 13/16" = (V)
 (for 58" model height, V= 55-7/16" (1408mm))



Cut the Hinge Panel Glass Vertical U-Channel to 55-7/16" (1408mm) for the standard 58" (1473.2mm) tub model height.

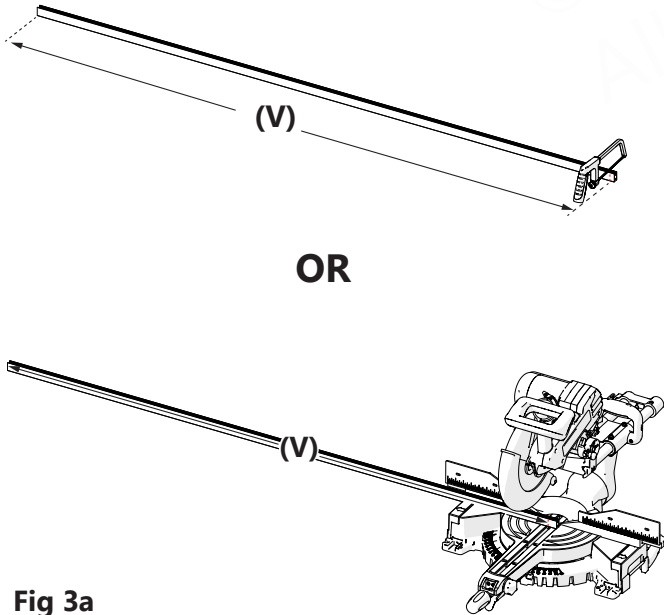


Fig 3a

Cut the Bottom U-Channel to:
Glass Width (W) (+) 3/16" = (L)**
 (for Unidoor-X Tub, L = 7" (177.8mm))
 (see EXCEPTION below)



Cut the Bottom U-Channel to 7" (177.8mm) for the 7" (177.8mm) Hinge Panel Glass width. To accommodate the 1/4" (6.35mm) maximum out-of-plumb adjustment, **see the EXCEPTION below.

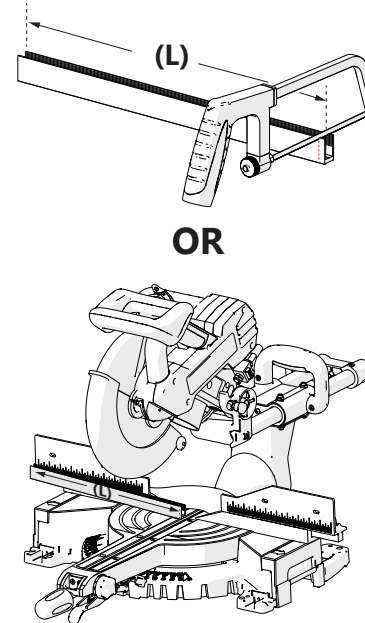
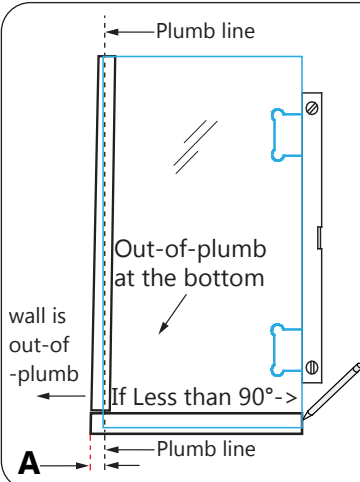


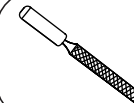
Fig 3b



****EXCEPTION:**
 If the wall is out-of-plumb at the **bottom**, measure that dimension as (A) and add (A) to the finished cut length of the U-channel: (+1/4" (6.35mm) max):

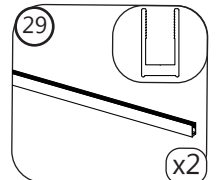
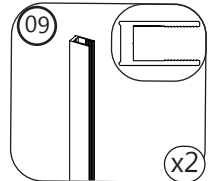
Glass Width + 3/16" (4.7mm) + (A) = Finished Cut Length (L) for Bottom U-Channel

Fig 3c

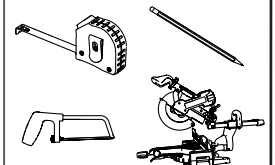


Use a metal file to deburr the cut ends.

Parts Needed



Tools Needed



4

Fig 4a

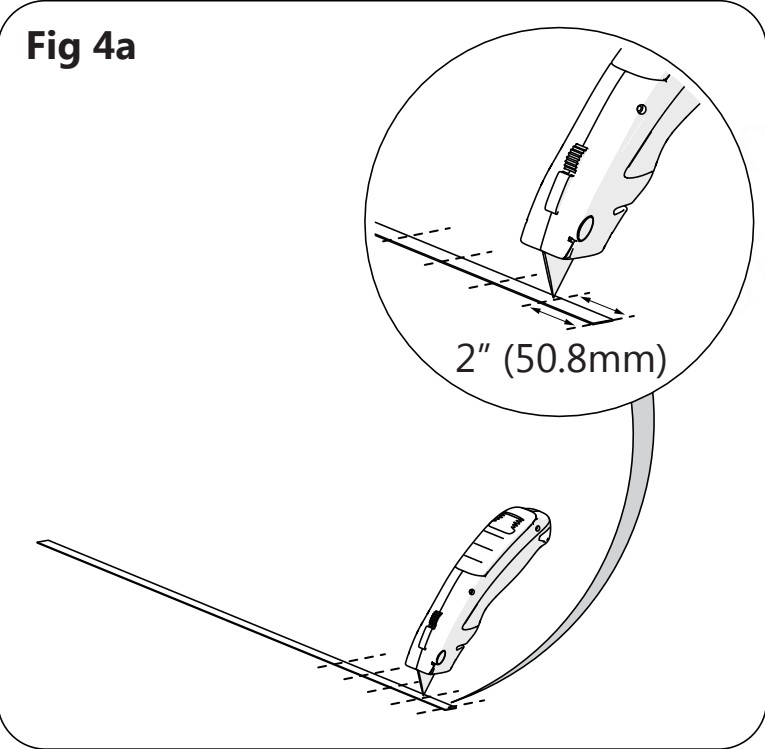


Fig 4b

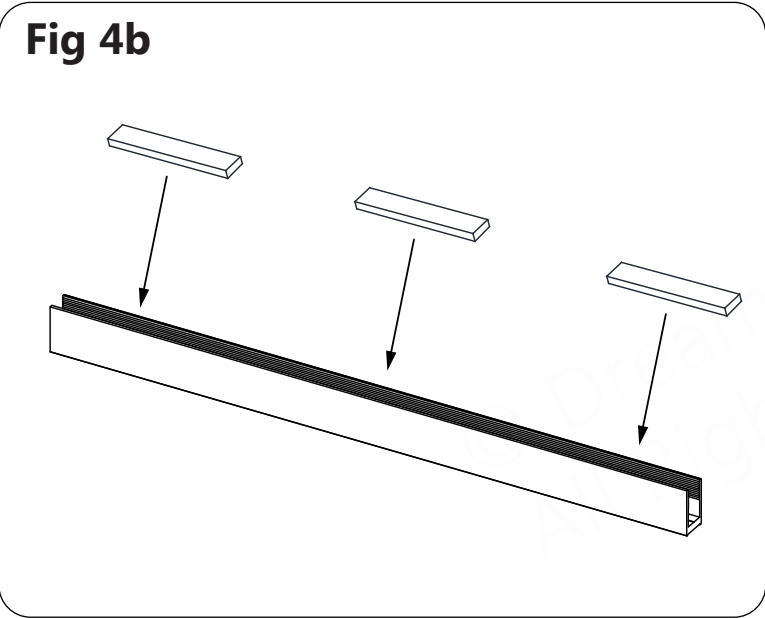
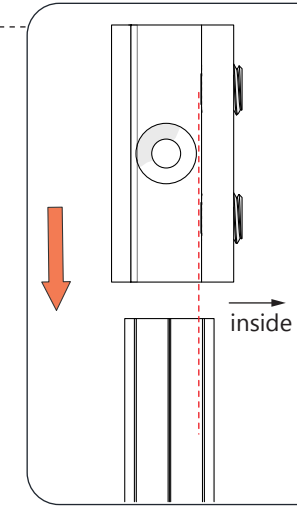
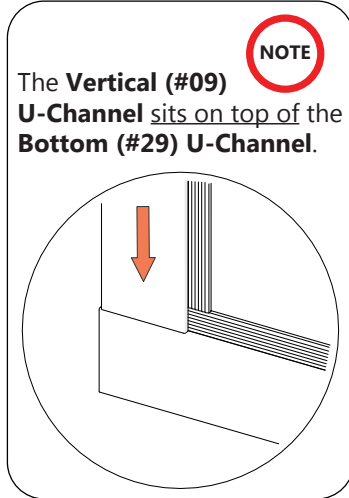
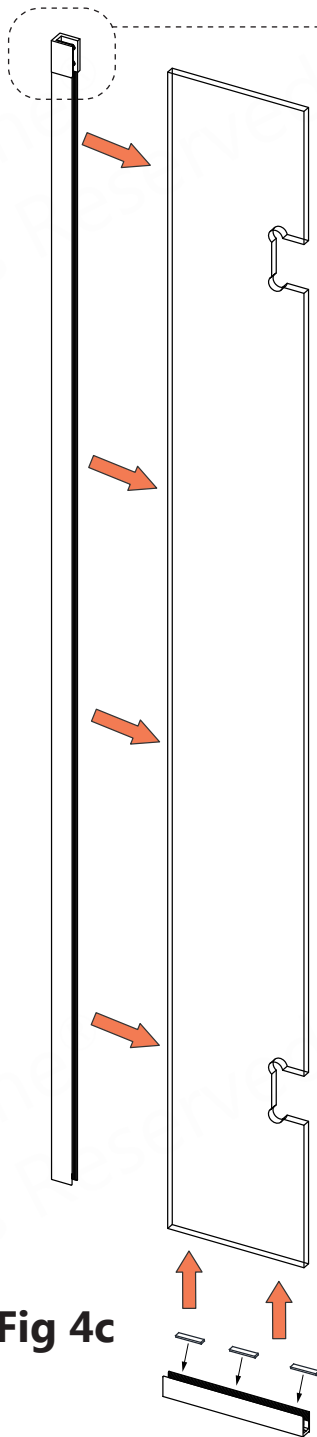


Fig 4c

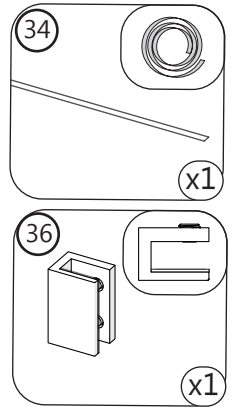


NOTE

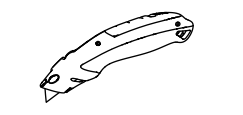
Correctly position the **Hinge Panel Bracket (#36)** onto the **Vertical U-Channel (#09)** by aligning the inside-face of the u-channel with the inside-face of the hinge panel bracket as shown.

Fig 4d

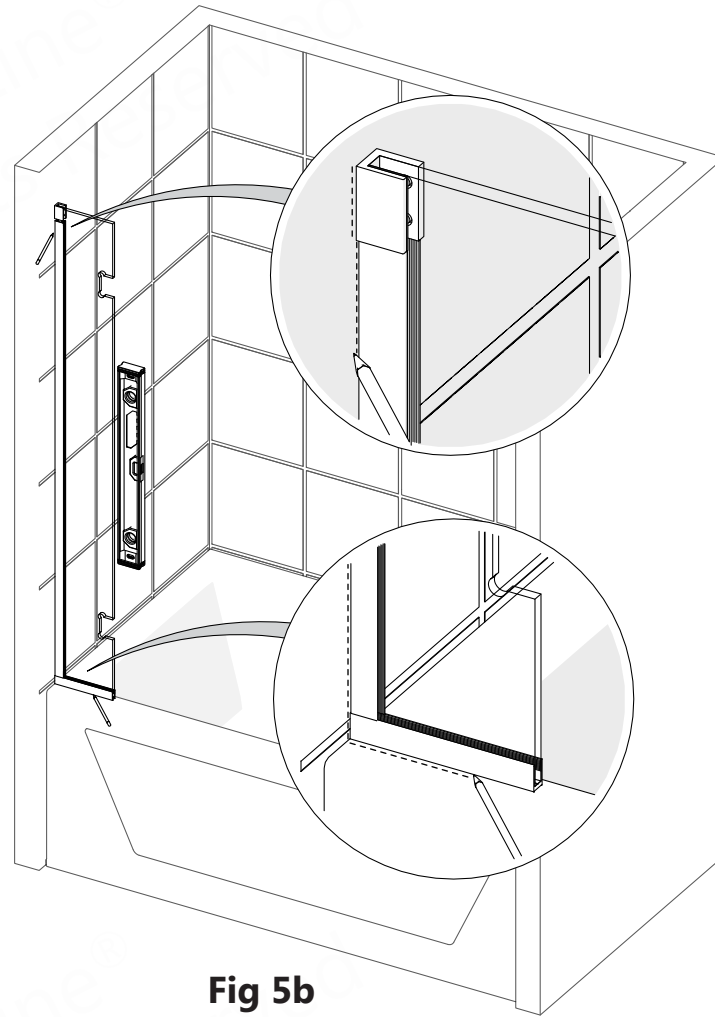
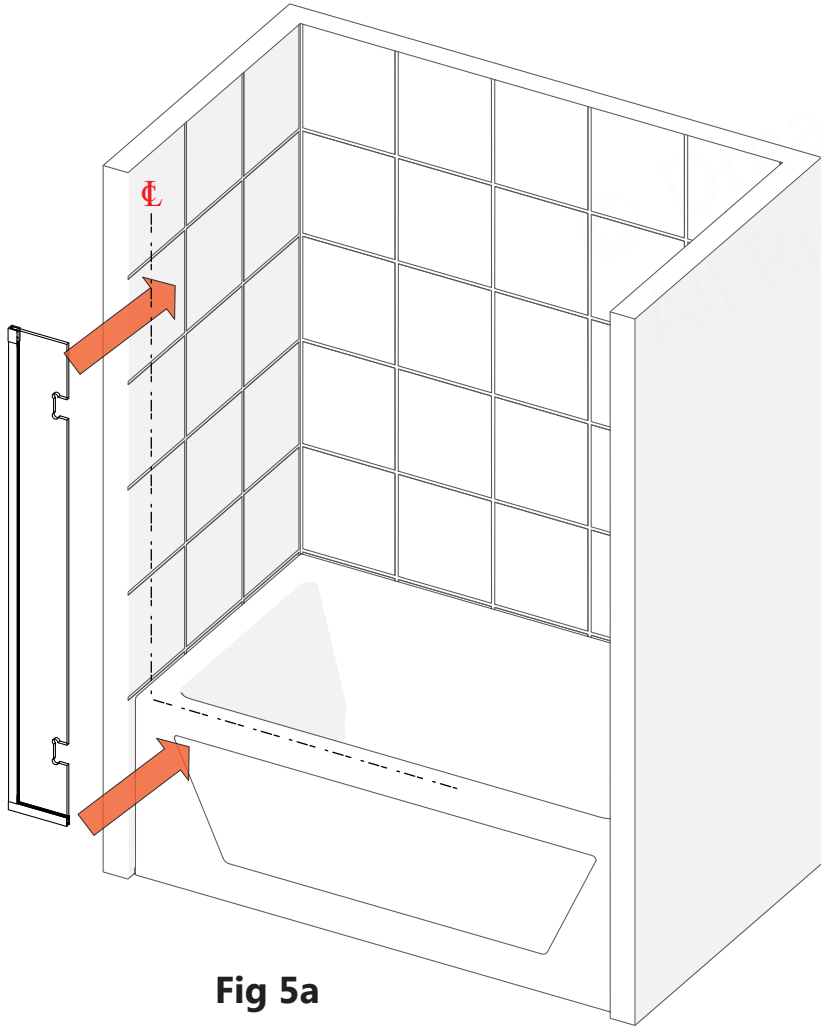
Parts Needed



Tools Needed



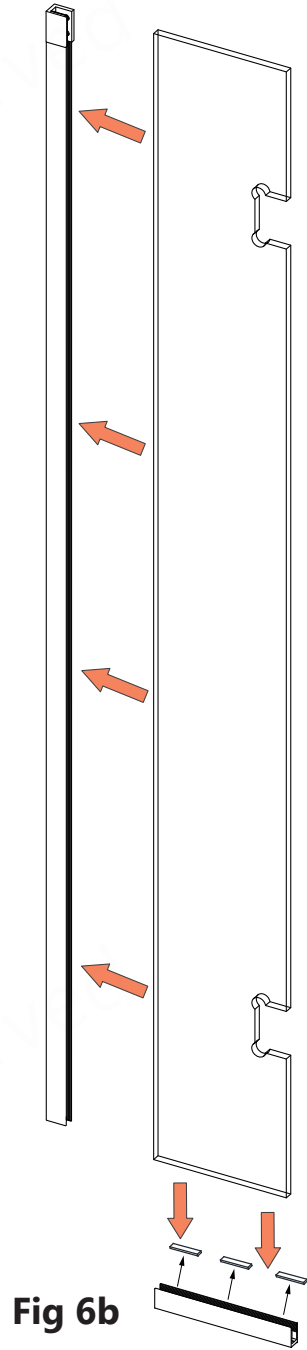
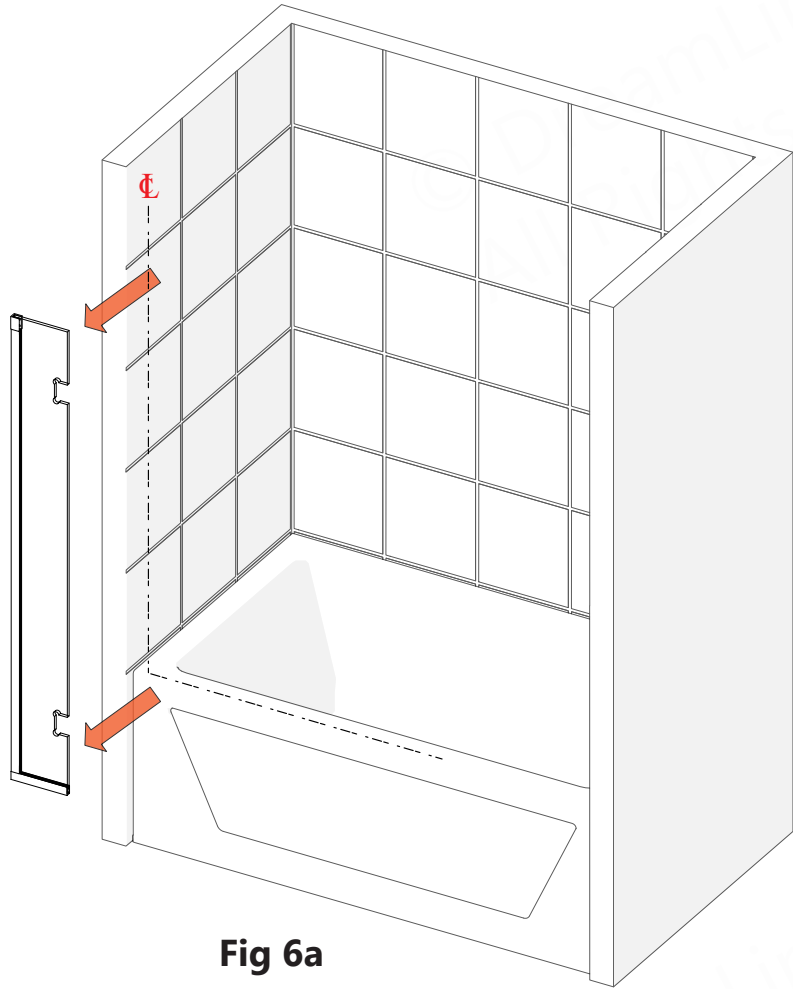
5



Tools Needed

A level and a pencil.

6



7

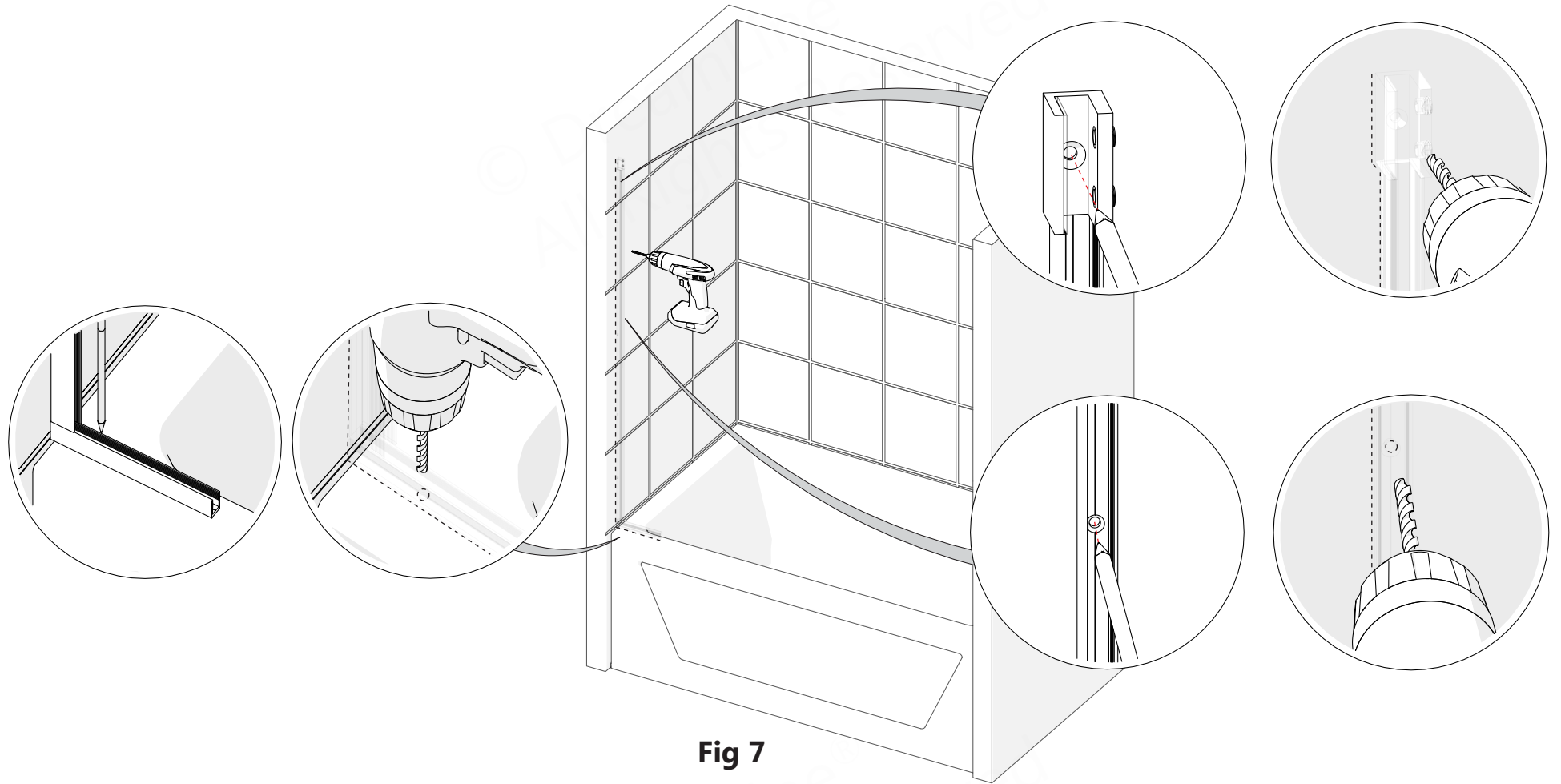


Fig 7

NOTE

▪ For installation into an **Acrylic Threshold**:
drill an $\text{Ø}1/8''$ (3mm) hole and use the
ST4.2 x 40mm Countersunk Screw (#23)

OR

▪ For installation into a **Tile Threshold**:
drill a $\text{Ø}3/16''$ (4.76mm) hole up to the stud,
drill an $\text{Ø}1/8''$ (3mm) pilot hole into the stud
and use the **ST4.2 x 40mm Countersunk Screw (#23)**

▪ **If a stud is present behind the wall:**

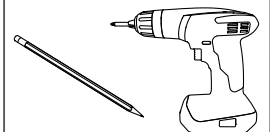
drill a $\text{Ø}3/16''$ (4.76mm) hole up to the stud,
drill an $\text{Ø}1/8''$ (3mm) pilot hole into the stud and use the
ST4.2 x 40mm Countersunk Screws (#23)

OR

▪ **If no stud is present behind the wall:**

drill a $\text{Ø}5/16''$ (8mm) hole and insert the **Wall Anchors (#13)**
and use the **ST4.2 x 40mm Countersunk Screws (#23)**.

Tools Needed



8

The **Vertical (#09) U-Channel** sits on top of the **Bottom (#29) U-Channel**.

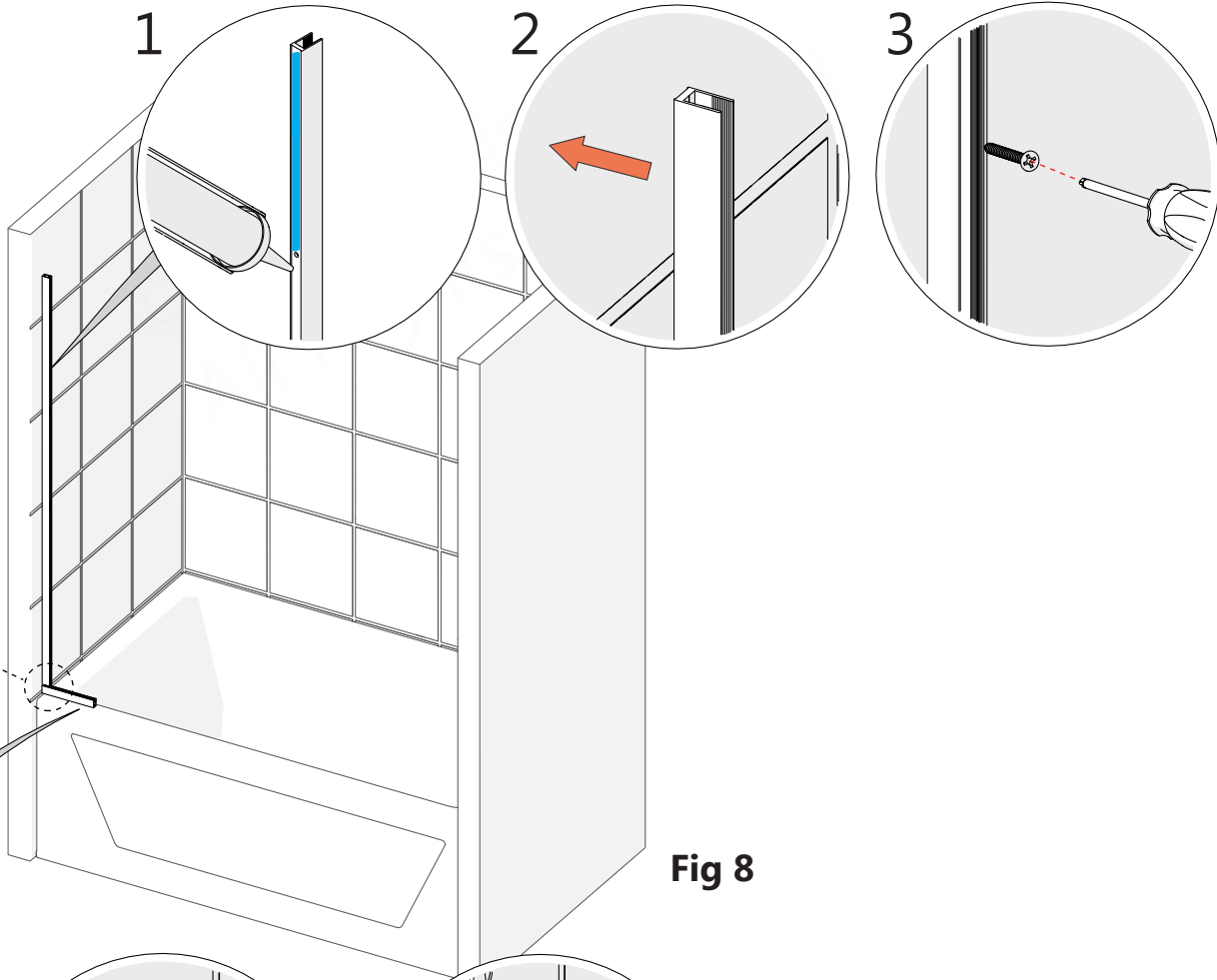
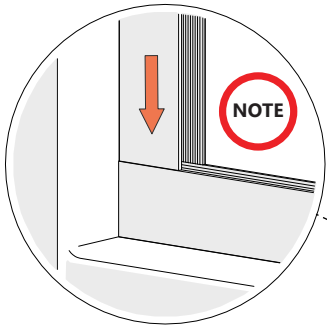
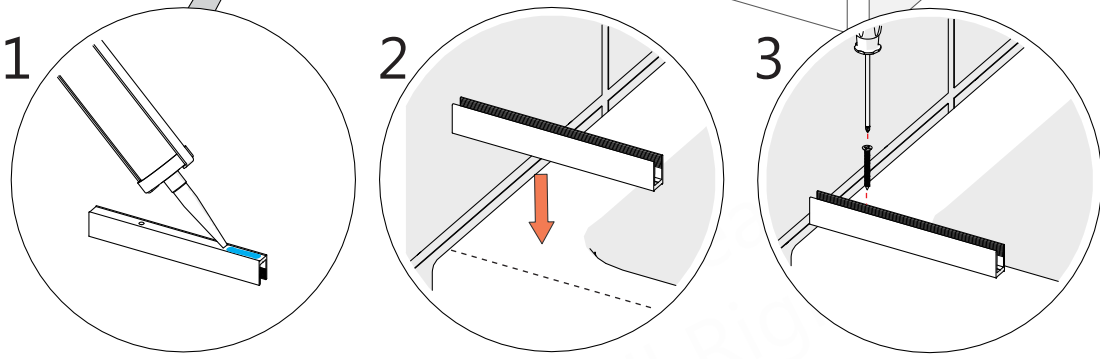
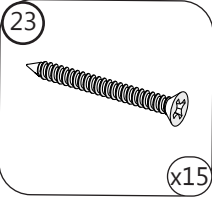


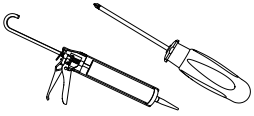
Fig 8



Parts Needed



Tools Needed



To prevent damage to the glass, be sure that the screws are fully countersunk and that the screw heads do not stick up above the surface of the u-channel

9

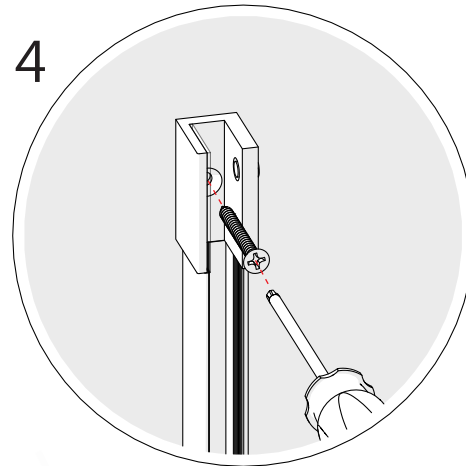
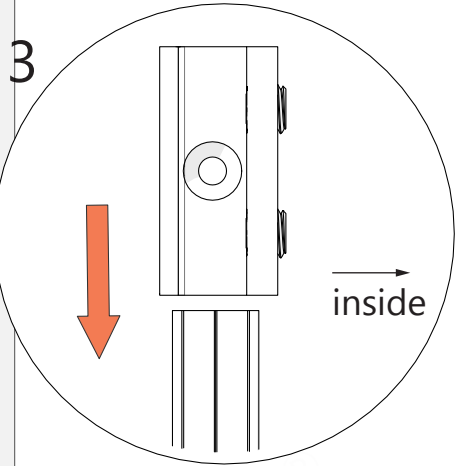
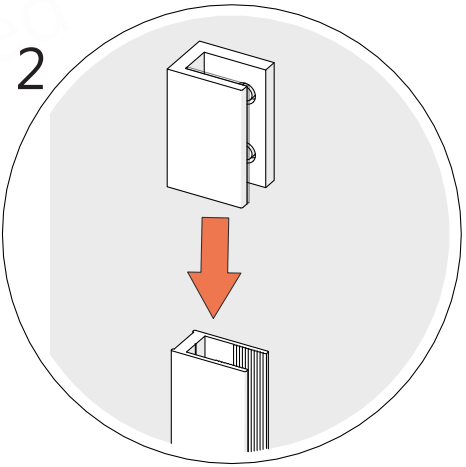
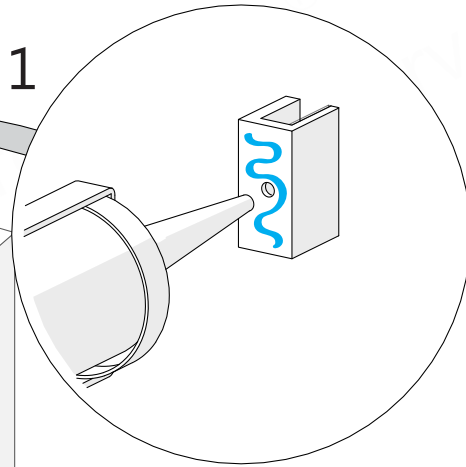
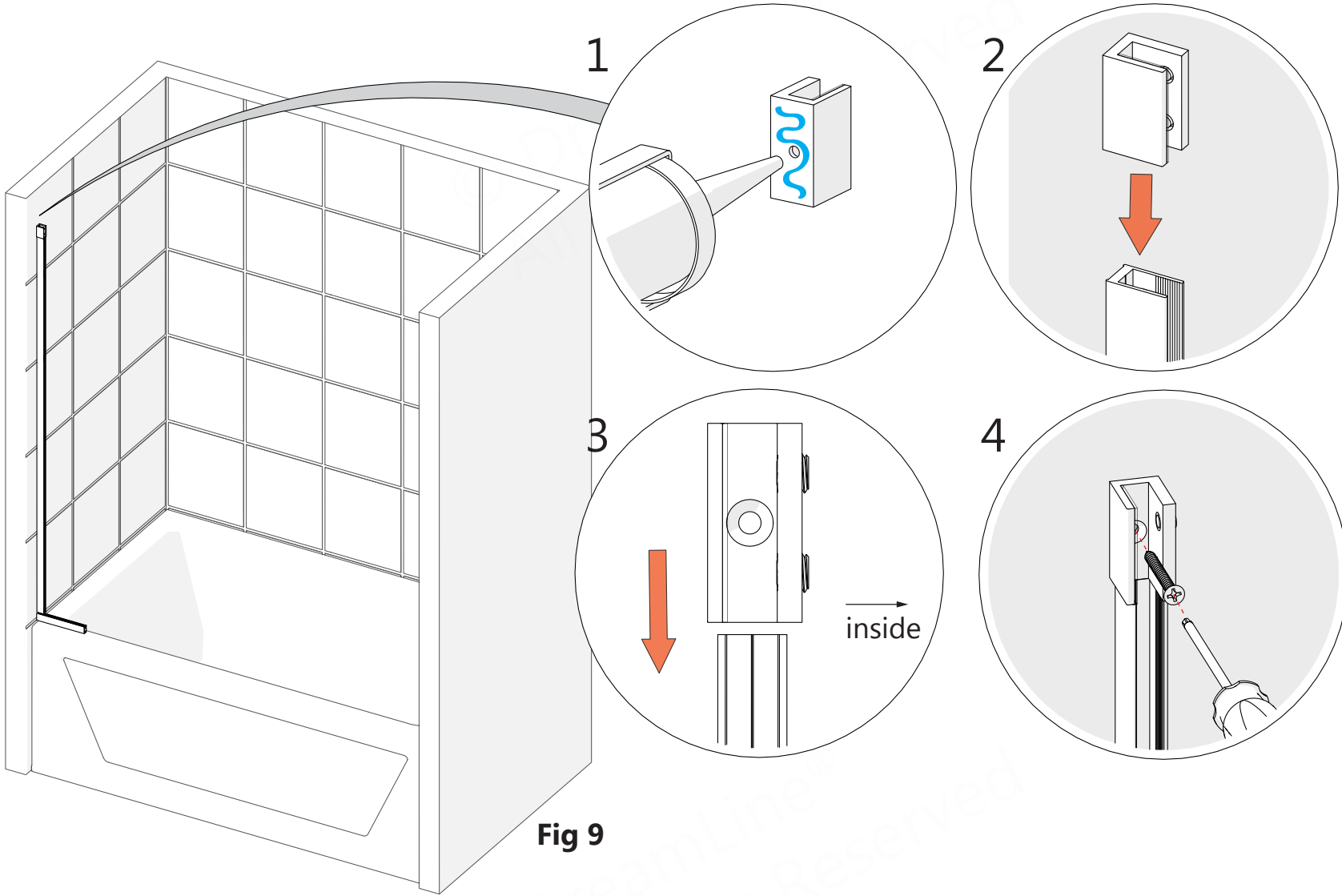
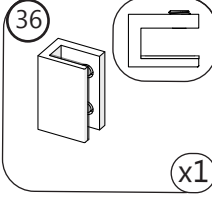
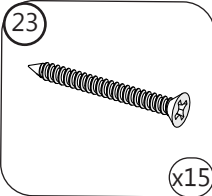
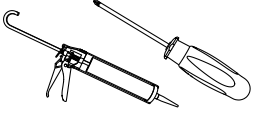


Fig 9

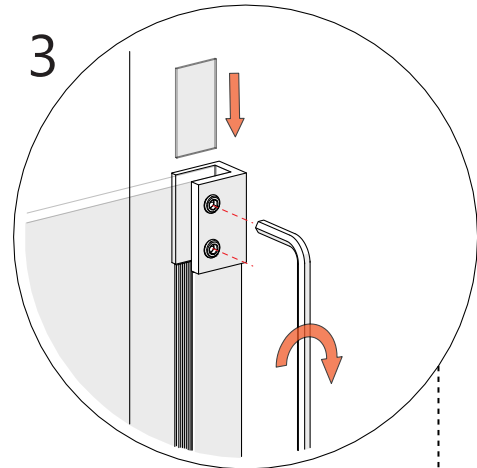
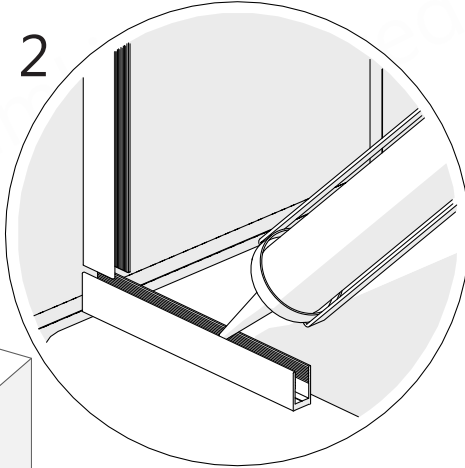
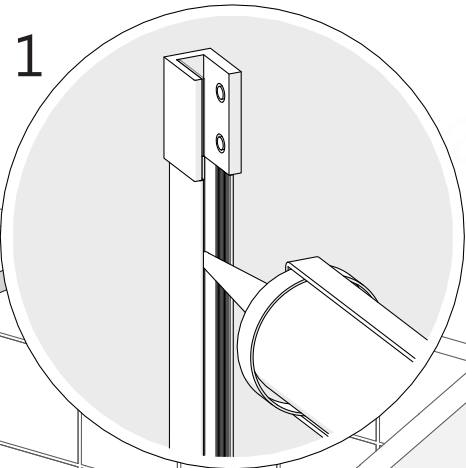
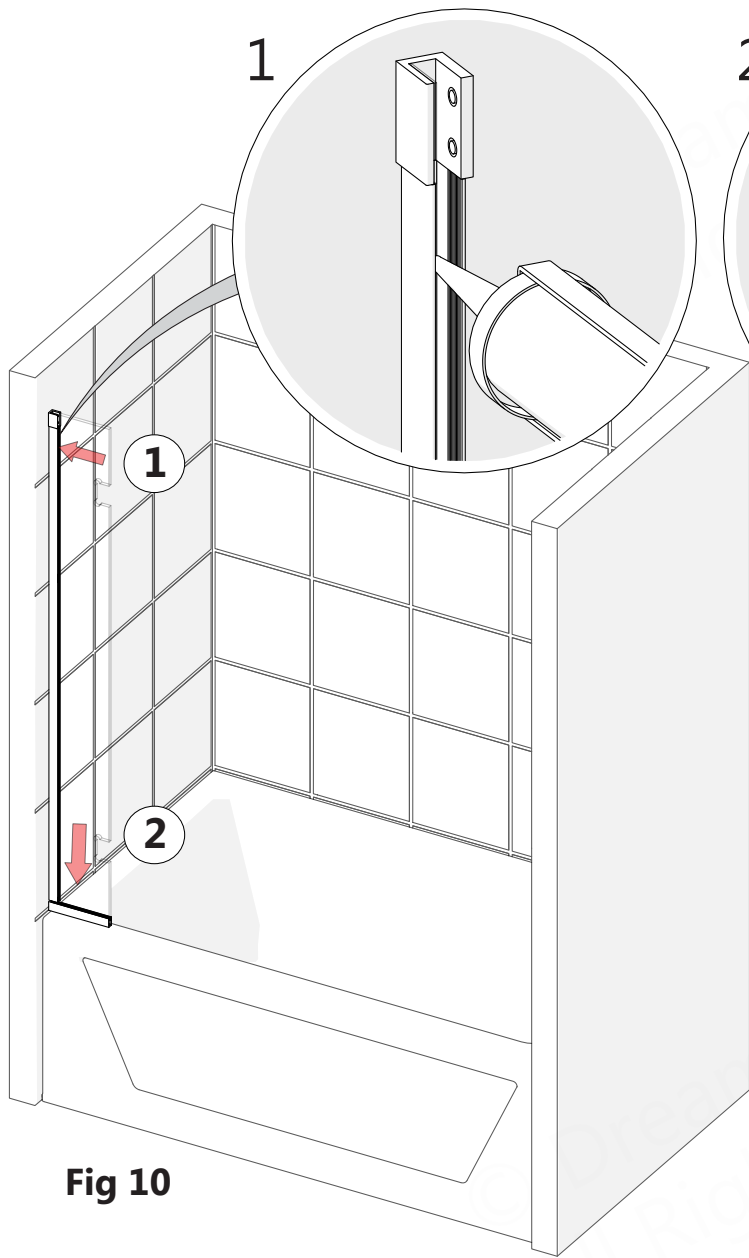
Parts Needed



Tools Needed



10



! Tighten the rubber-tipped set screws on the **Hinge Panel Glass Bracket (#36)** to secure the glass. **Do Not over-tighten! Confirm the vinyl gasket is present to prevent glass-to-metal contact!**

NOTE

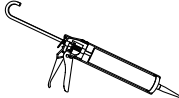
Slide the panel glass into the vertical u-channel first and then slide it down into the bottom u-channel.

Fig 10



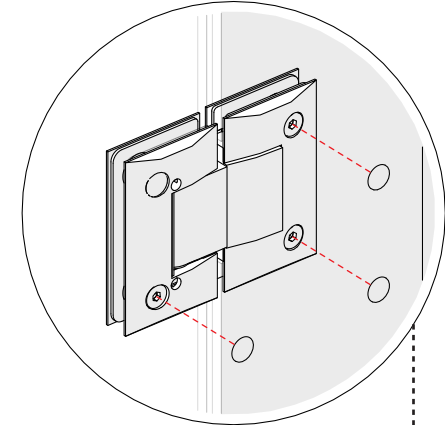
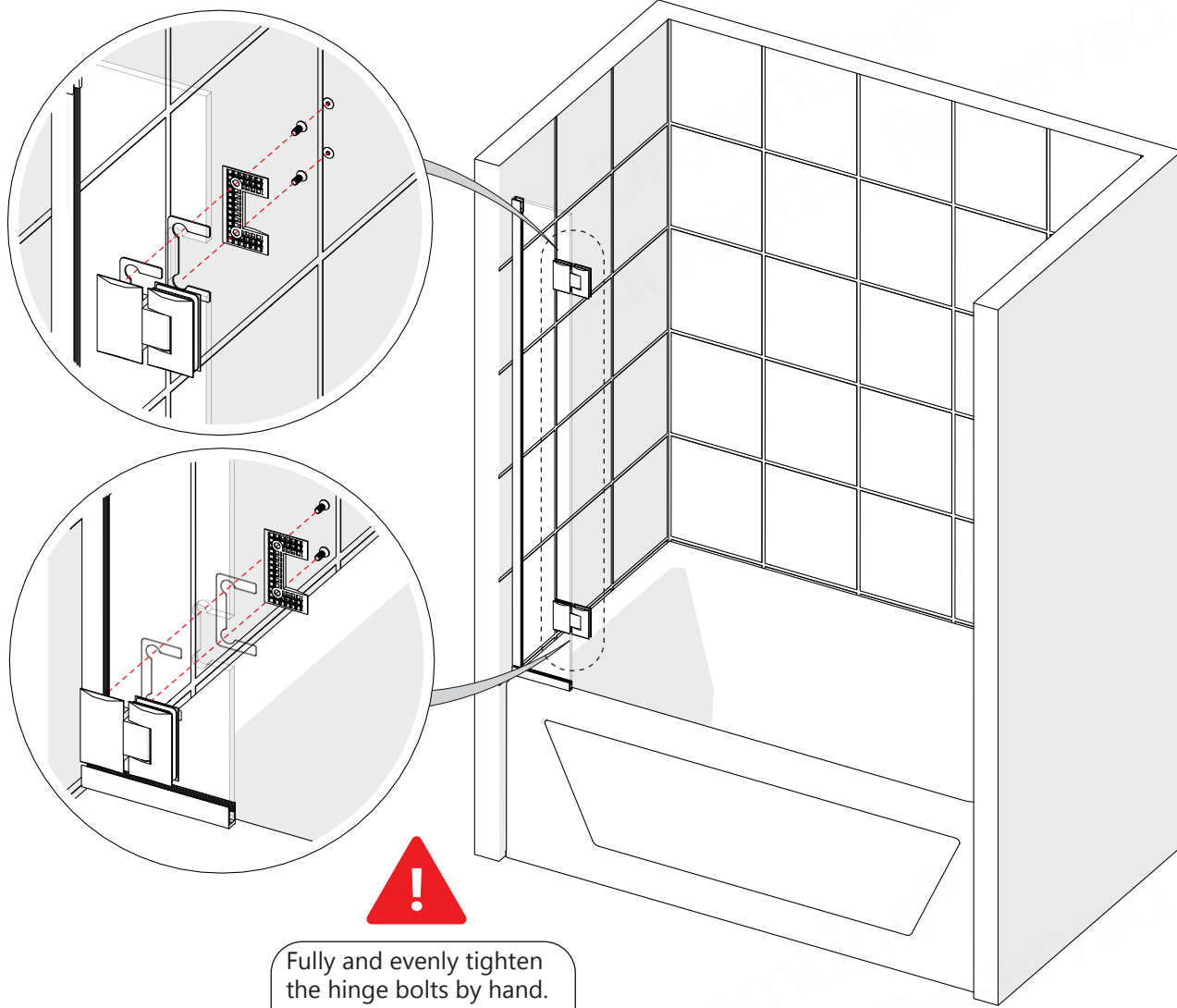
It is strongly recommended to allow the **Hinge Panel Glass (#32)** silicone to fully cure **before** hanging the **Door Glass (#01)**!

Tools Needed



11

Glass-to-Glass Hinge Assembly Installation



Do Not install the **Hinge Assembly (#05)** bolt decorative caps until final adjustments have been made. For more information on the **Hinge Assembly Adjustment Procedure**, see **Page X**.

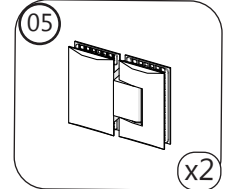


Fully and evenly tighten the hinge bolts by hand. It is normal to hear the gaskets compressing onto the glass.



It is strongly recommended to allow the **Hinge Panel Glass (#32)** silicone to fully cure **before** hanging the **Door Glass (#01)**!

Parts Needed

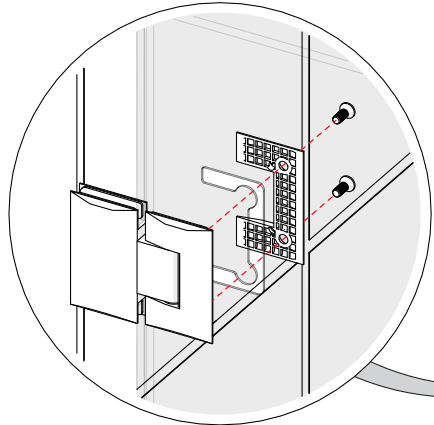


Tools Needed

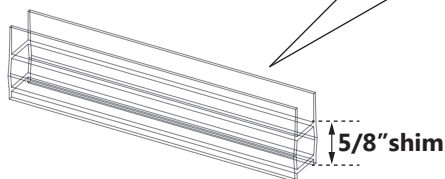
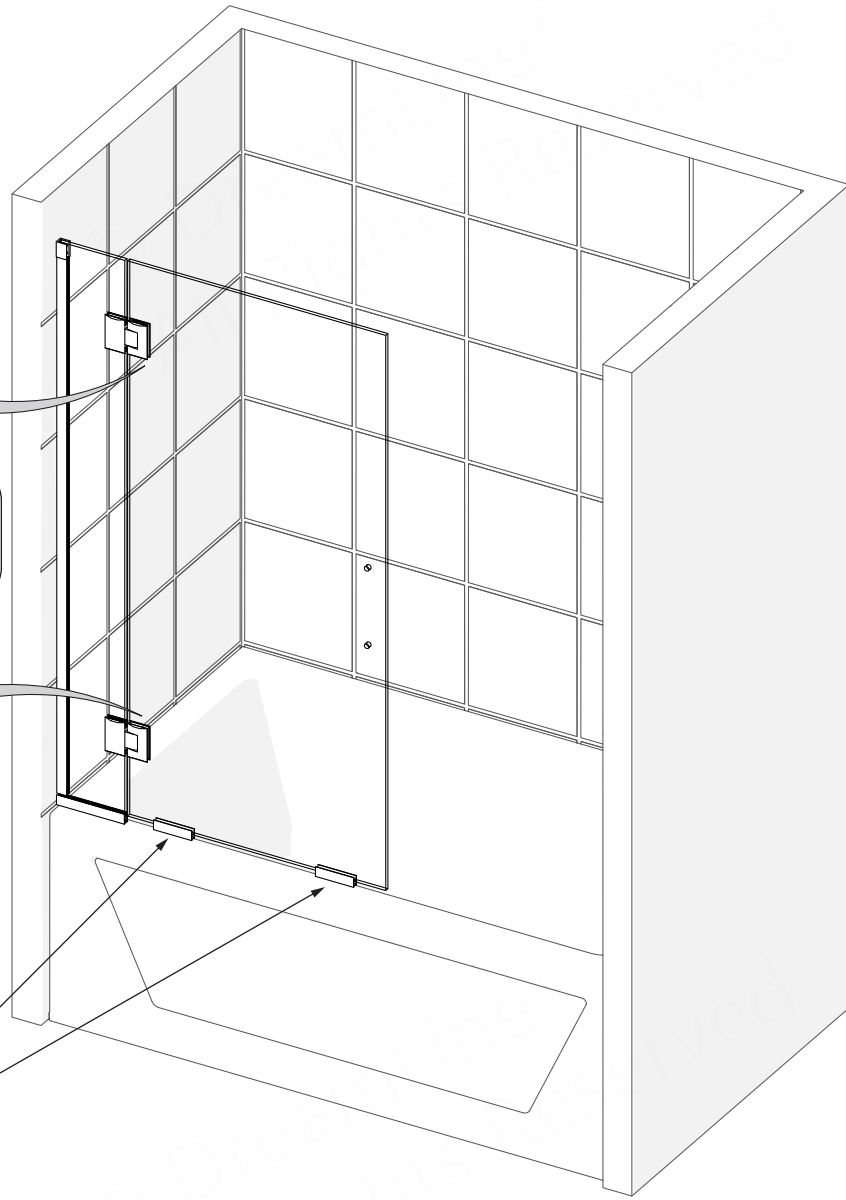
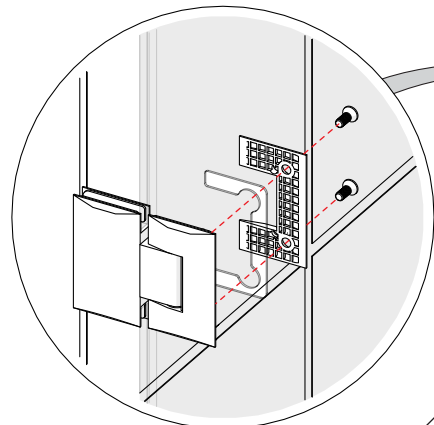


12

Door Glass Installation



! Fully and evenly tighten the hinge assembly bolts by hand. It is normal to hear the gaskets compressing onto the glass.

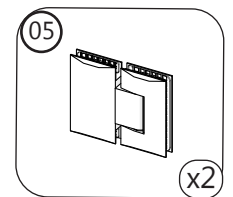
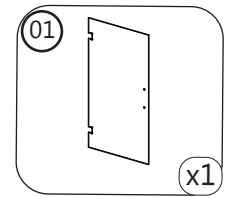


NOTE

Use the provided 5/8" (16mm) spacer shims when positioning the **Door Glass (#01)** to maintain the proper spacing between the bottom of the Door Glass and the threshold. Secure the spacers to the glass with tape if necessary. (5/8" (15.9 mm) wood or plastic shims may also be used on the threshold)

! **DO NOT** attach the Handle to the Door Glass until instructed. **DO NOT** use the handle to lift the glass during installation. This may result in damage to the glass and/or serious personal injury. Always use an assistant and/or a professional-grade glass suction cup when handling heavy glass panels.

Parts Needed

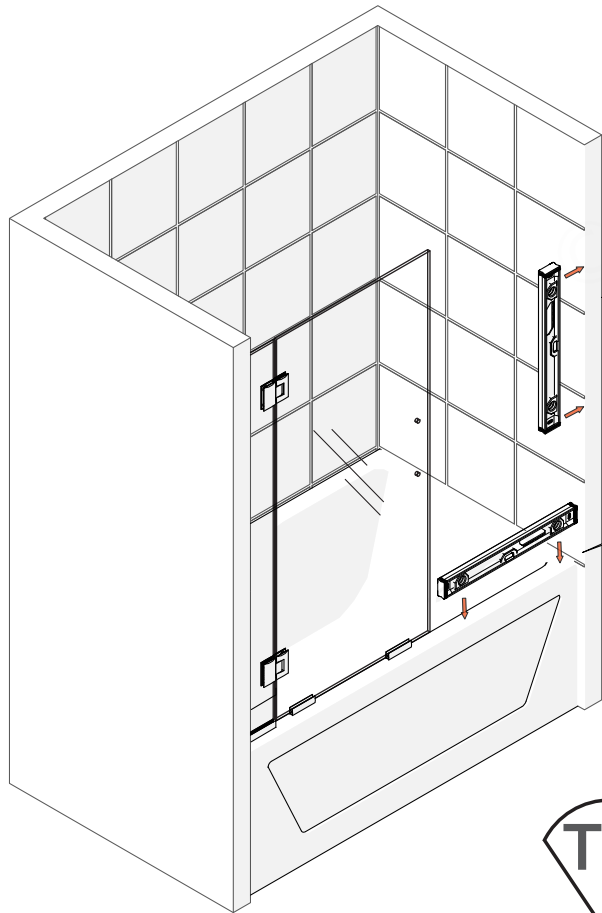


Tools Needed



13

Inline Panel Glass Installation



TIP Verify threshold and wall with a level before proceeding

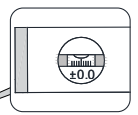
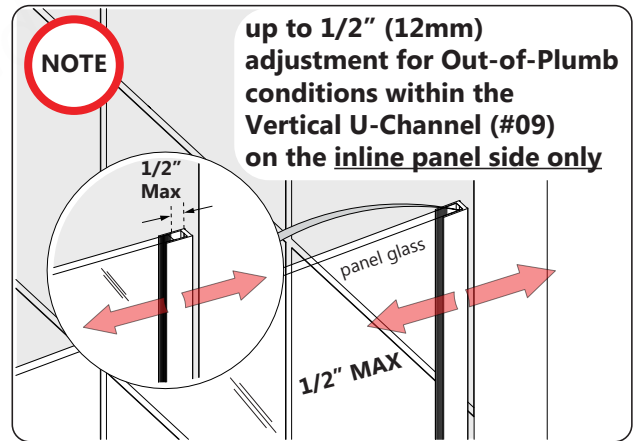


Fig 13a



right-hand inline panel glass installation shown

TIP

To assist with aligning the **Inline Panel Glass (#11)** with the pre-installed Door Glass, hold the door glass parallel with the outside of the threshold and mark a reference line on the threshold. **see Fig 13b**

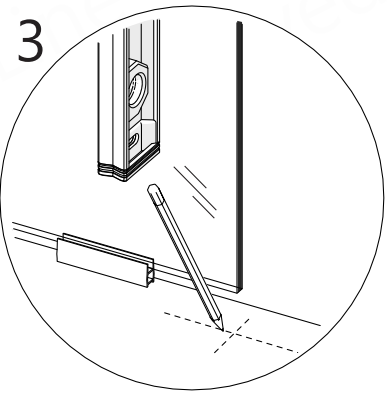
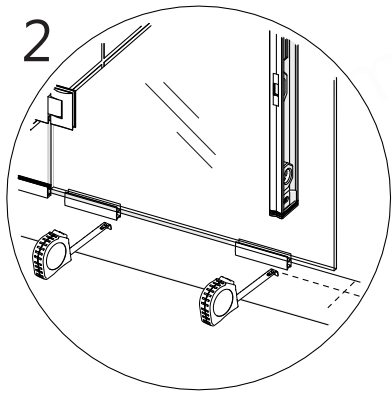
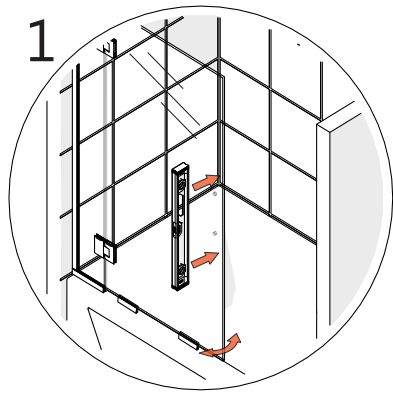


Fig 13b

Tools Needed

14

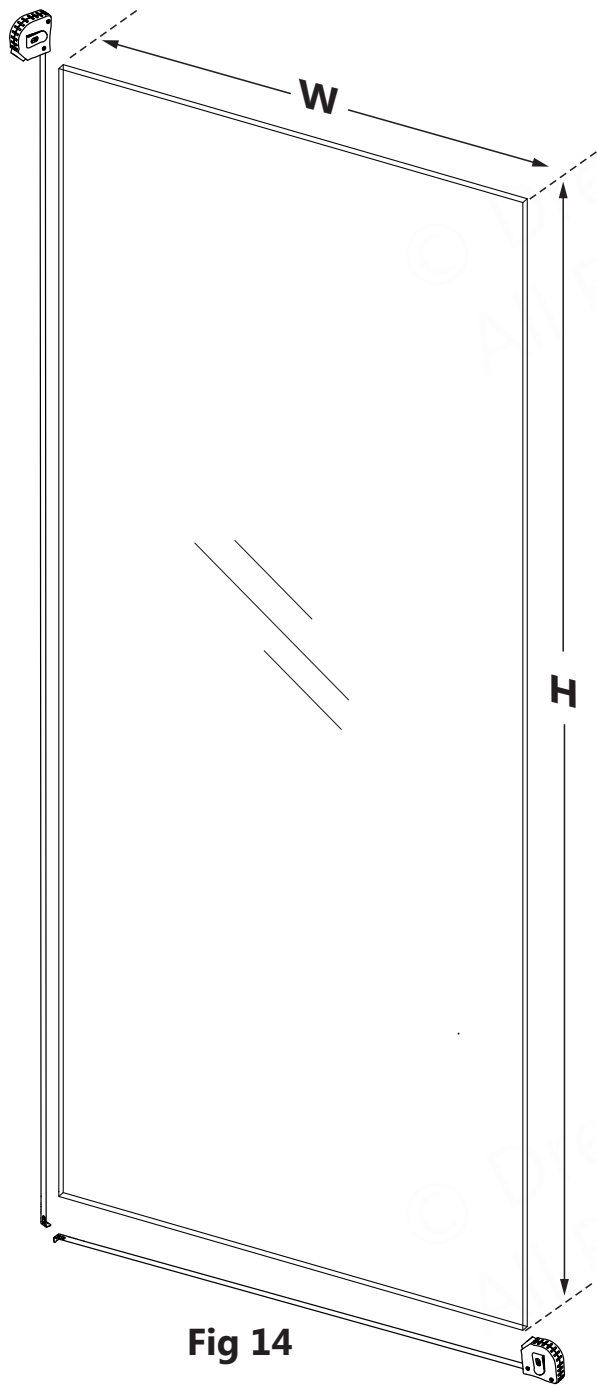
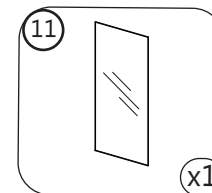


Fig 14

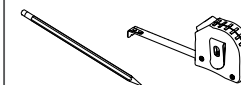
Inline Panel
Glass Width (W)

Inline Panel
Glass Height (H)

Parts Needed



Tools Needed

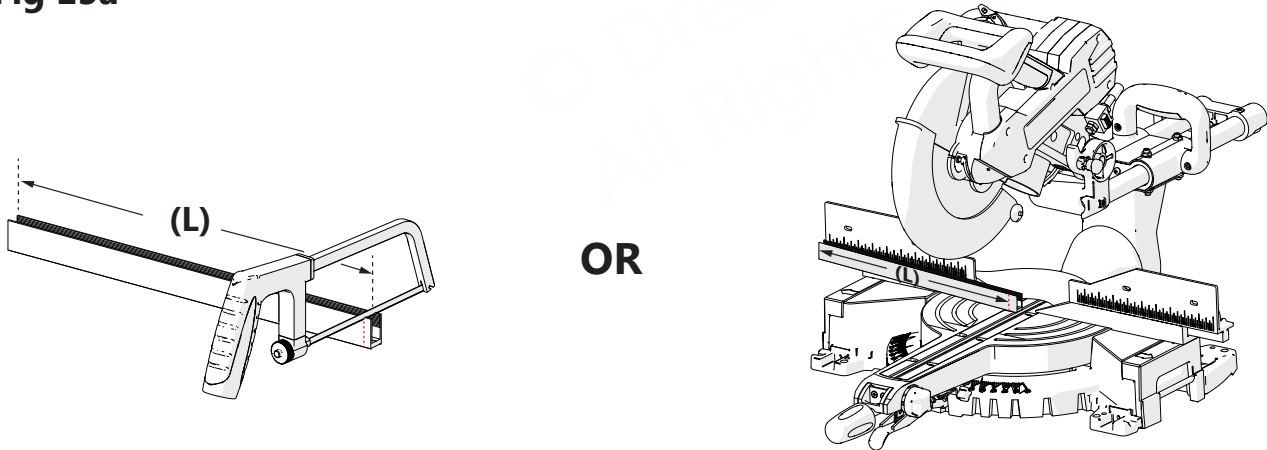


15

Cut the Bottom U-Channel to:

Glass Width (W) (+) 3/16" = 24" (609.6mm) = (L)** (see EXCEPTION)

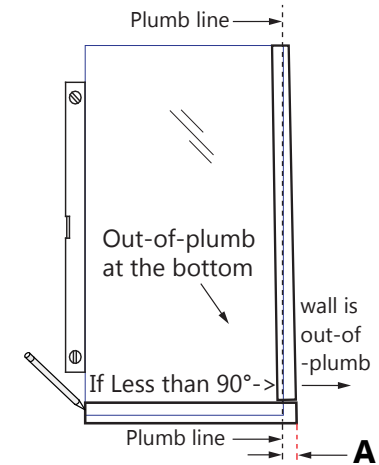
Fig 15a



OR

! **EXCEPTION: If the wall is out-of-plumb at the bottom, measure that dimension as (A) and add (A) to the finished cut length of the U-channel: (+1/2" (12.7mm) max):

Glass Width + 3/16" (4.7mm) + (A) = Finished Cut Length (L) for Bottom U-Channel



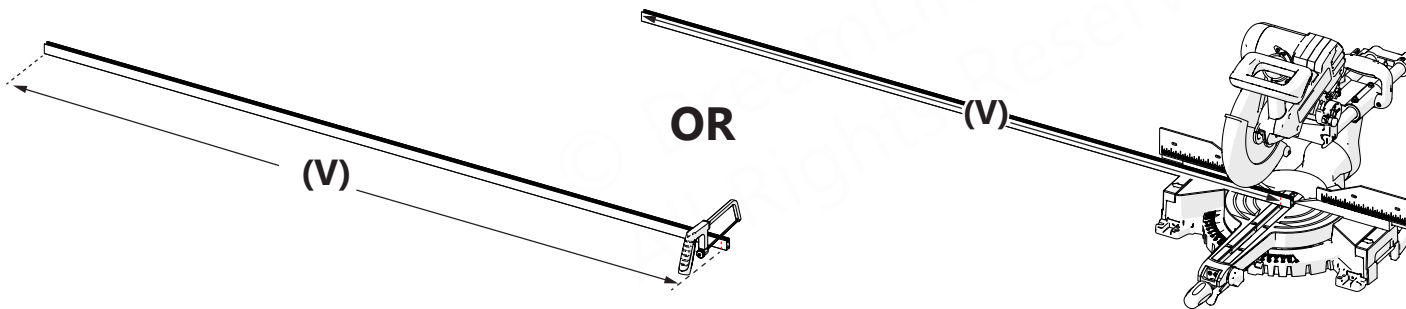
Cut the Vertical U-Channel to:

Glass Height (H) (-) 13/16" = (V) (for 58" model height, V= 57" (1447.8mm))

Fig 15b

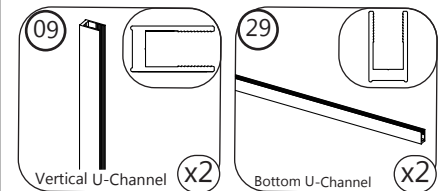


Cut the Vertical U-Channel to 57" (1447.8mm) for the standard 58" (1473.2mm) model height

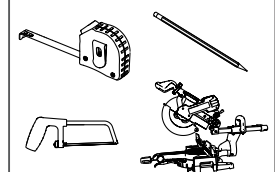


OR

Parts Needed



Tools Needed



16

Handle Assembly Installation

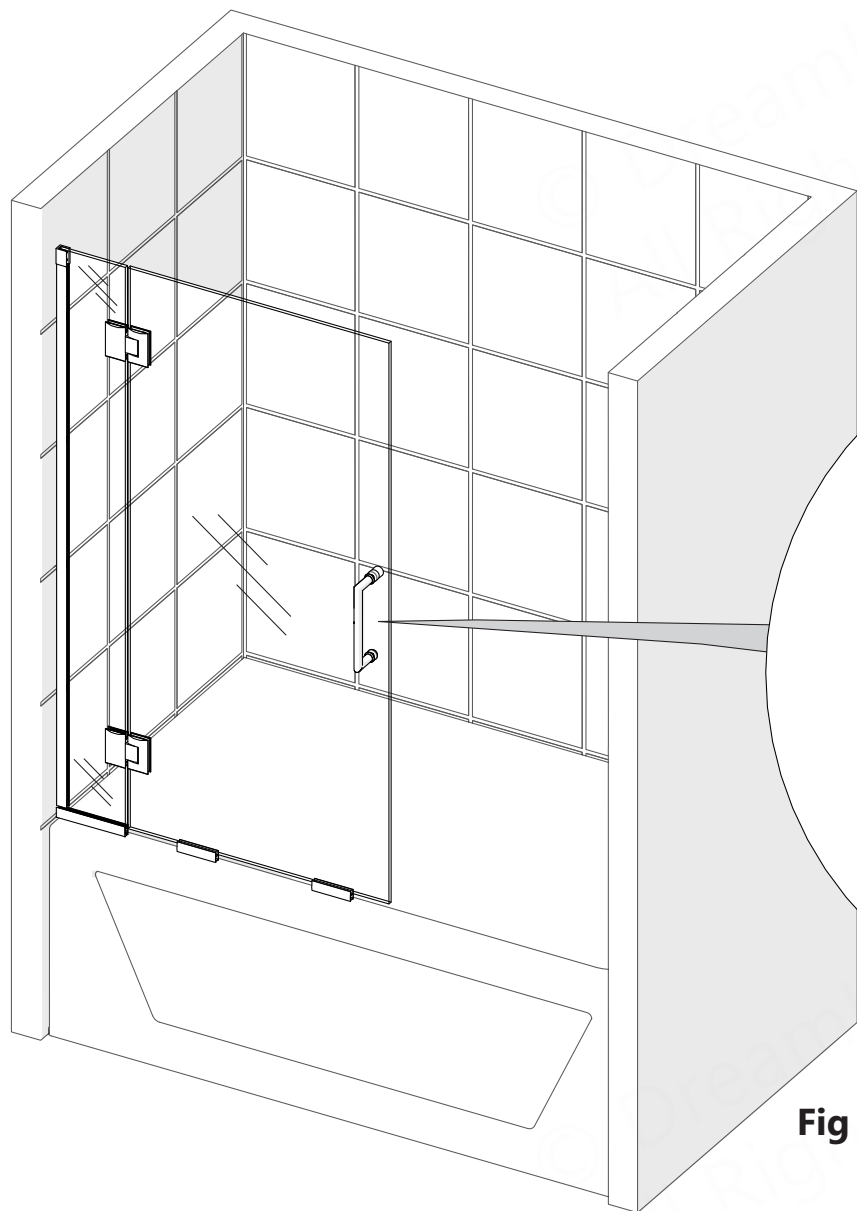
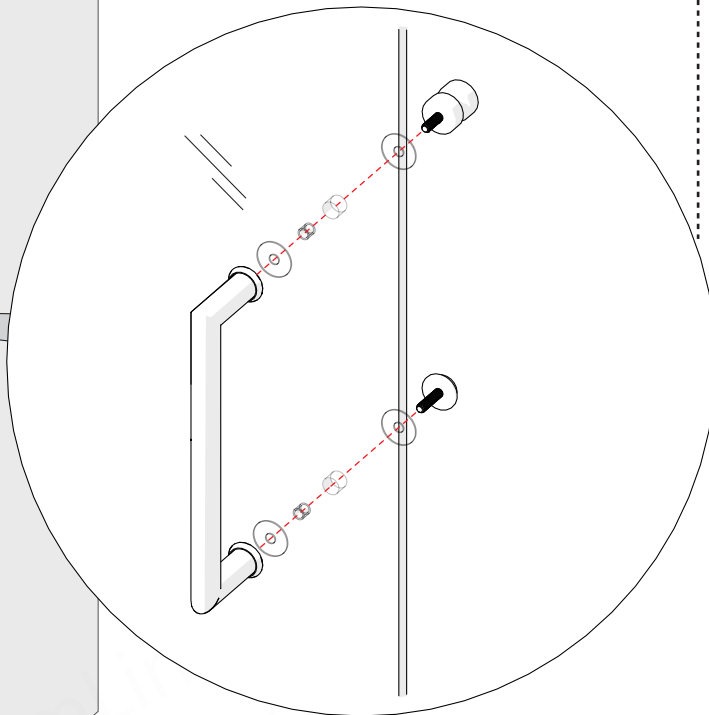
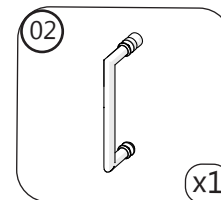


Fig 16

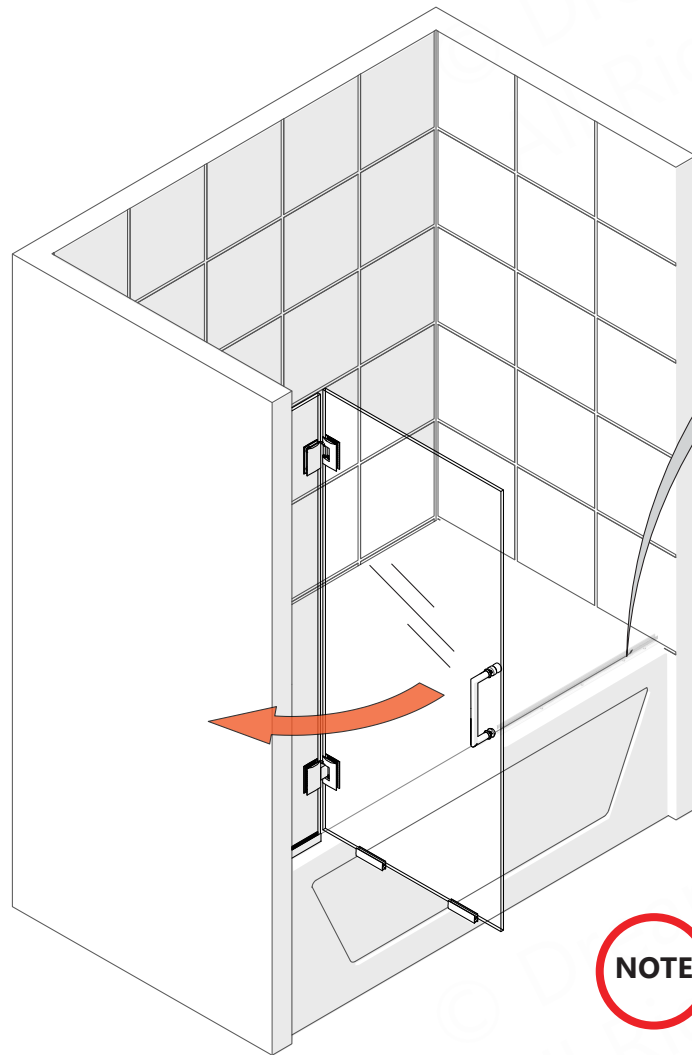


To prevent glass-to-metal contact, confirm the vinyl gaskets are present between the knobs.

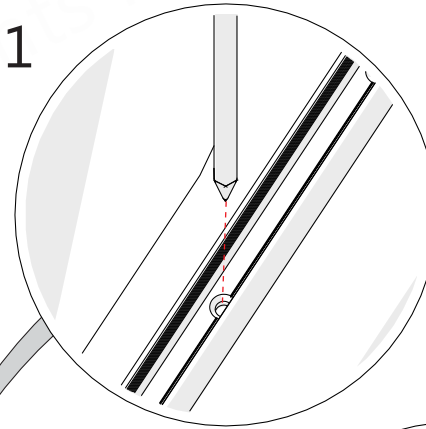
Parts Needed



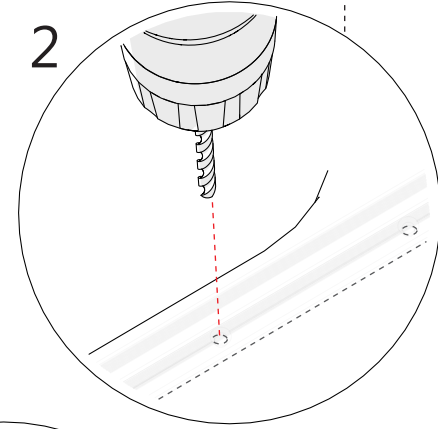
17



1



2



3

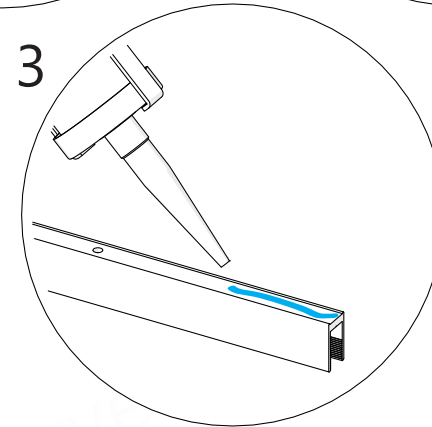


Fig 17

NOTE

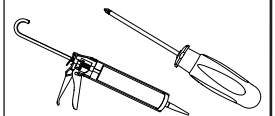
▪ For installation into an **Acrylic Threshold:**
drill an $\text{Ø}1/8''$ (3mm) hole and use the
ST4.2 x 40mm Countersunk Screw (#23)
OR

▪ For installation into a **Tile Threshold:**
drill a $\text{Ø}3/16''$ (4.76mm) hole up to the stud,
drill an $\text{Ø}1/8''$ (3mm) pilot hole into the stud
and use the **ST4.2 x 40mm Countersunk Screw (#23)**



For drilling into wall/threshold surfaces, use the appropriate drill bit for the type of surface material

Tools Needed



18

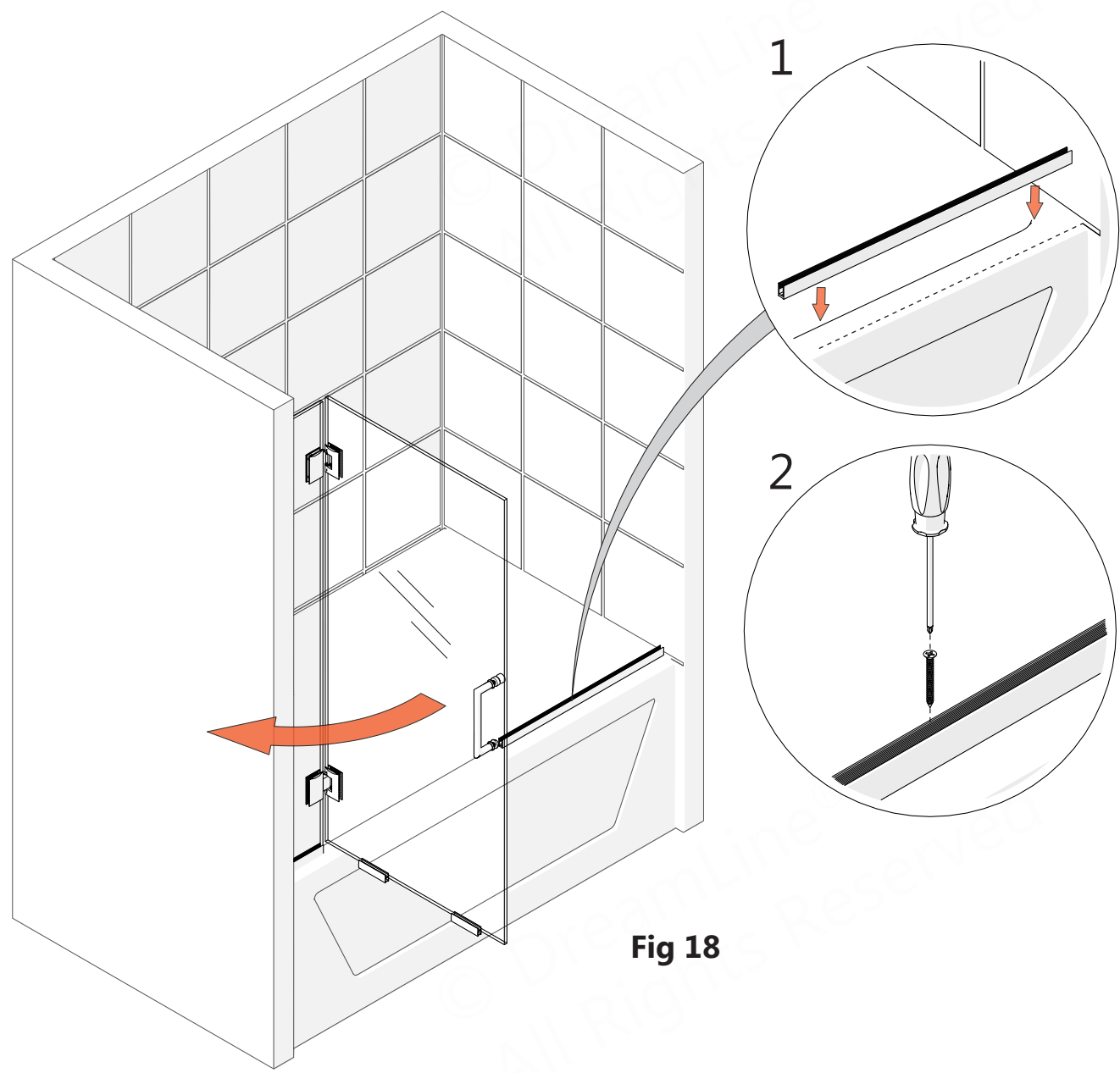
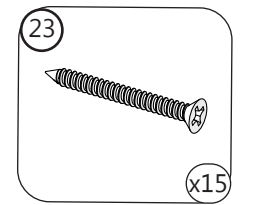
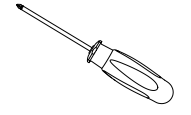


Fig 18

Parts Needed



Tools Needed



19

Fig 19a

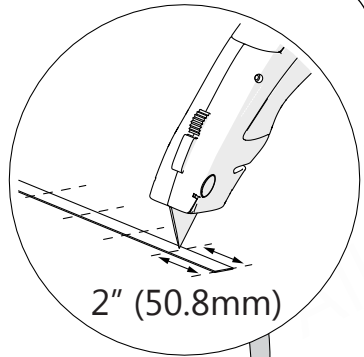
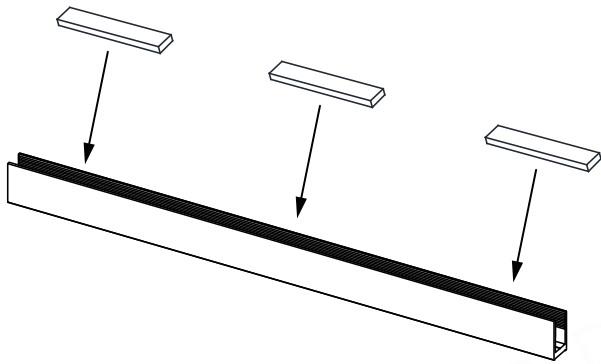


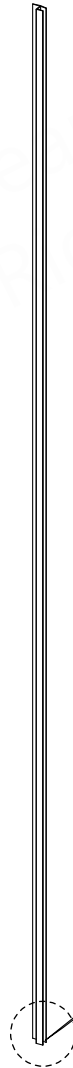
Fig 19b



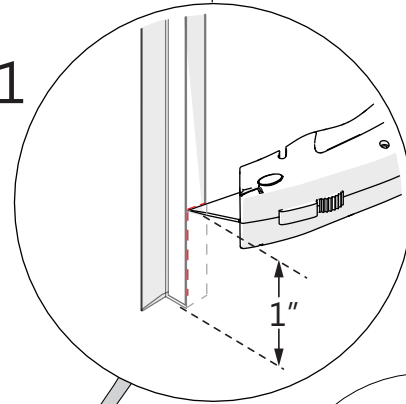
Cut several 2" - 3" (50.4mm-76.2mm) pieces of the PVC Glass Spacer 0.5mm (#28). **DO NOT** install one long continuous piece into the Bottom (#29) U-Channel!



Determine the proper orientation of the **180° Strike Vinyl (#19)**. Cut a 1" (25.4mm) notch into the bottom end to allow the vinyl to fit tight around the **Bottom U-Channel (#29)** for Step 20.



1



2

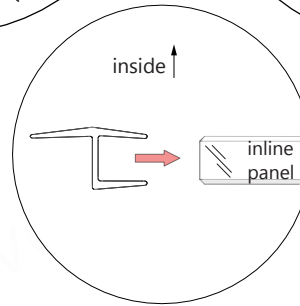
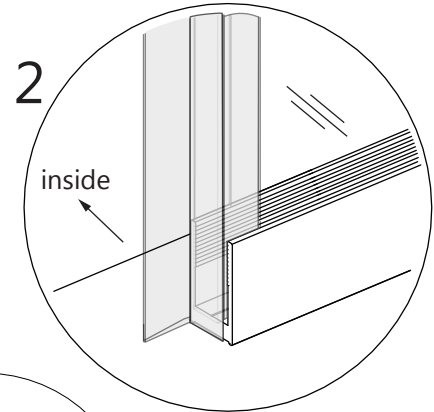
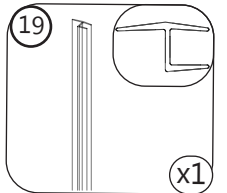


Fig 19c

right wall inline panel installation shown

Parts Needed



Tools Needed



20

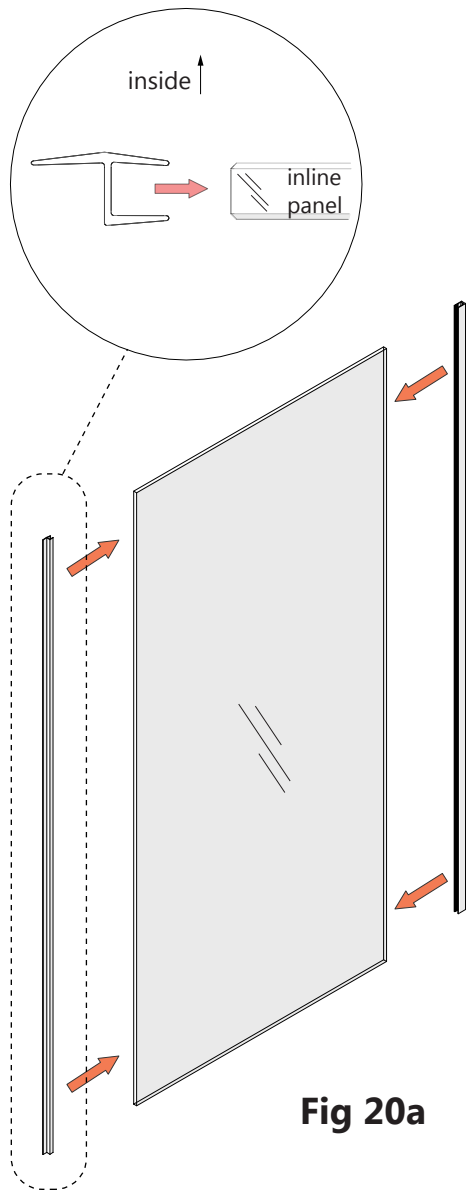


Fig 20a

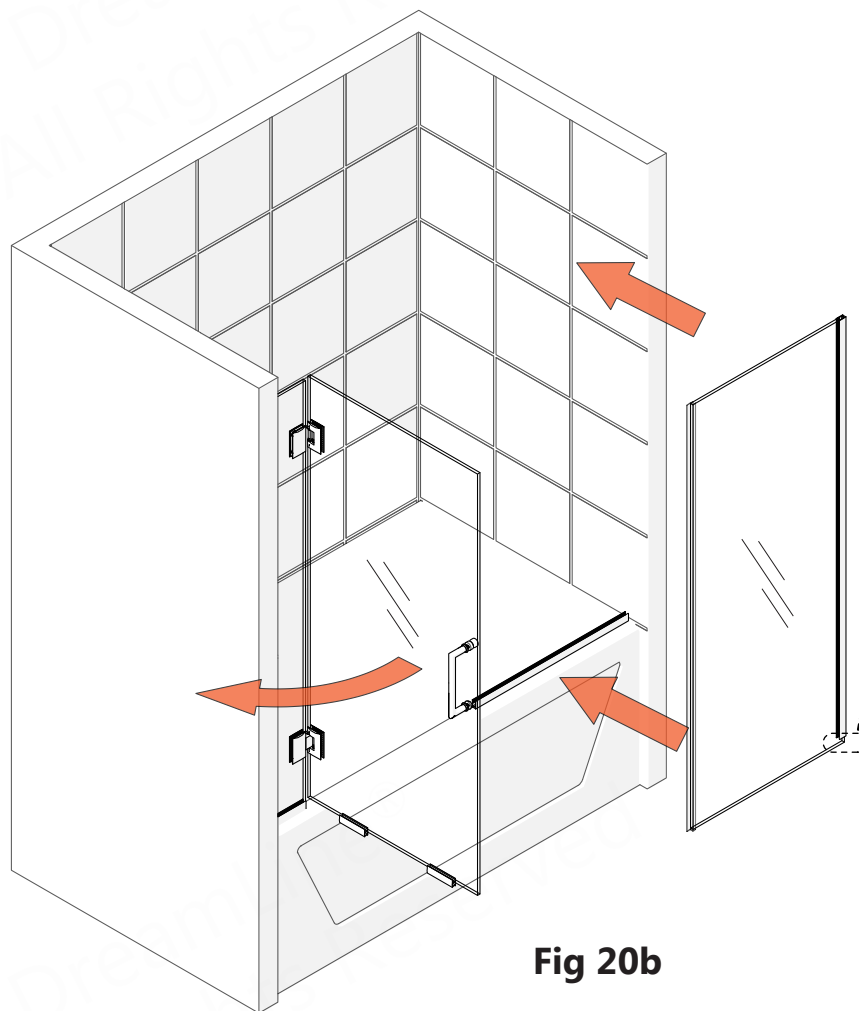
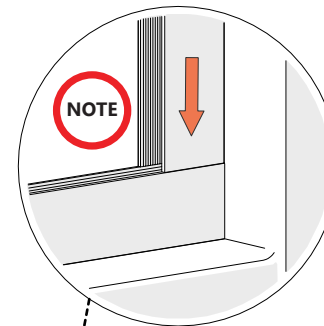
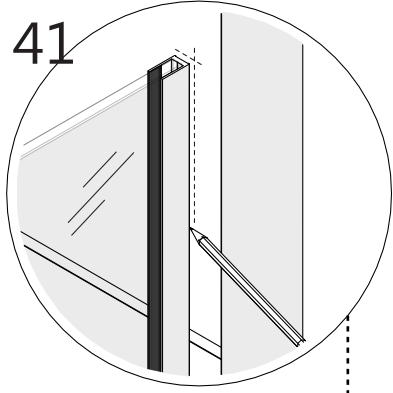
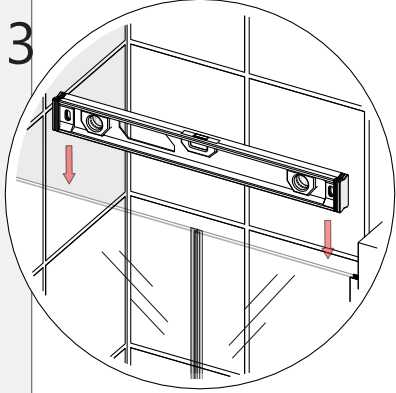
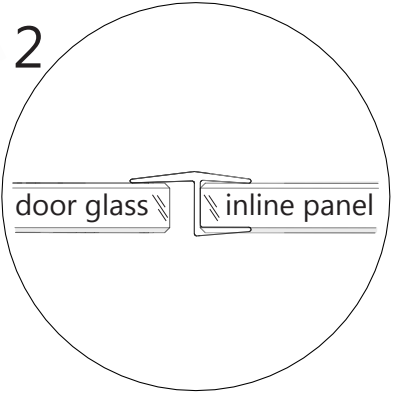
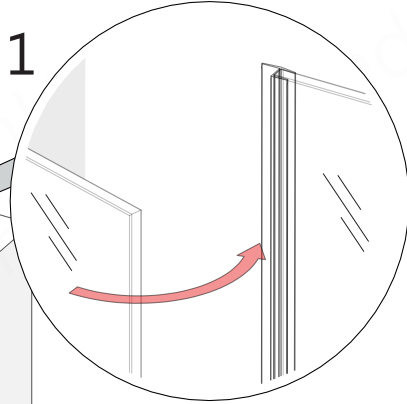
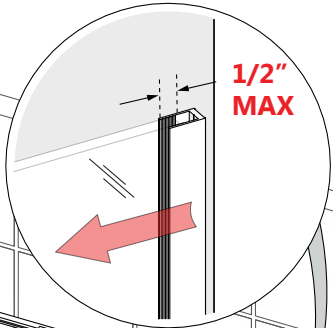
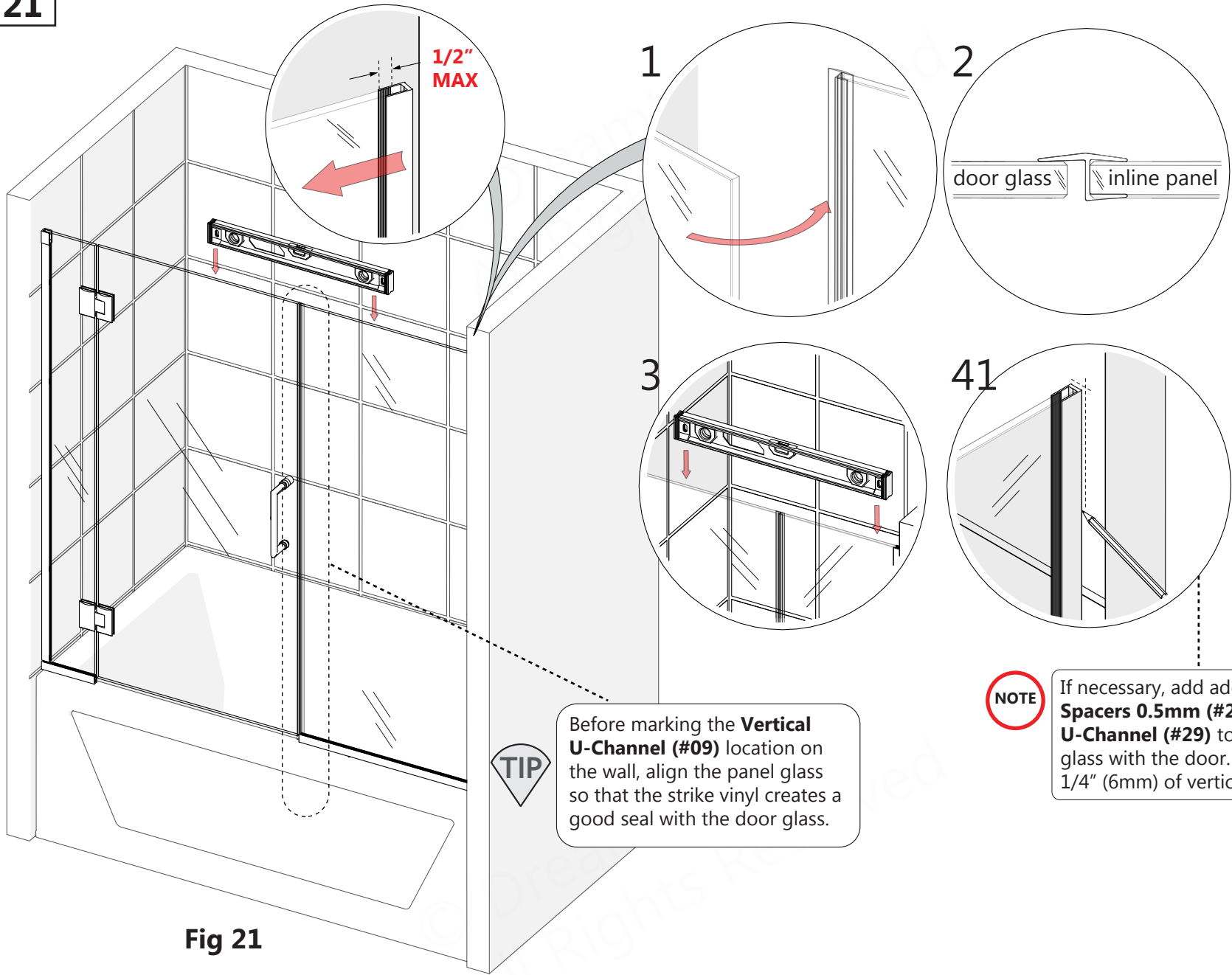


Fig 20b

The **Vertical (#09) U-Channel** sits on top of the **Bottom (#29) U-Channel**.



21



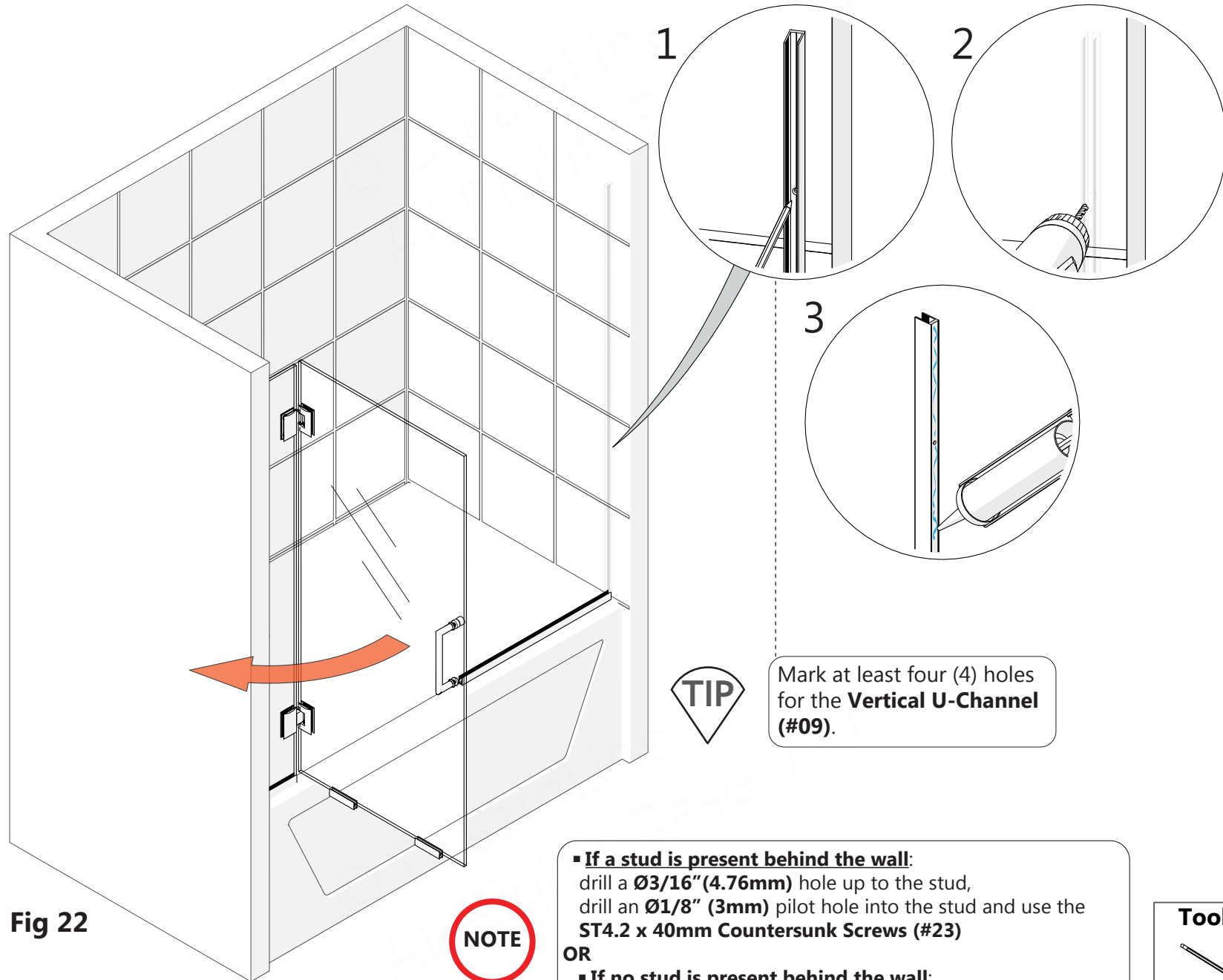
Before marking the **Vertical U-Channel (#09)** location on the wall, align the panel glass so that the strike vinyl creates a good seal with the door glass.



If necessary, add additional **PVC Glass Spacers 0.5mm (#28)** into the **Bottom U-Channel (#29)** to level the panel glass with the door. Do Not Exceed 1/4" (6mm) of vertical adjustment.

Fig 21

Tools Needed



TIP

Mark at least four (4) holes for the **Vertical U-Channel (#09)**.

NOTE

- **If a stud is present behind the wall:**
drill a $\text{Ø}3/16''$ (4.76mm) hole up to the stud, drill an $\text{Ø}1/8''$ (3mm) pilot hole into the stud and use the **ST4.2 x 40mm Countersunk Screws (#23)**
- OR
- **If no stud is present behind the wall:**
drill a $\text{Ø}5/16''$ (8mm) hole and insert the **Wall Anchors (#13)** and use the **ST4.2 x 40mm Countersunk Screws (#23)**.

Tools Needed

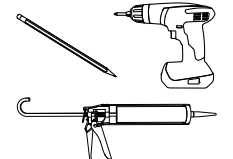


Fig 22

23

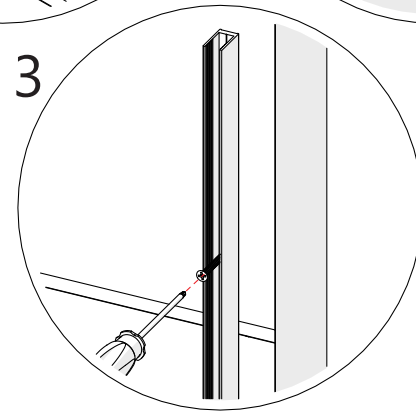
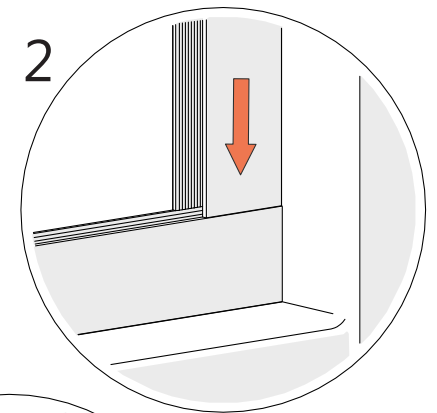
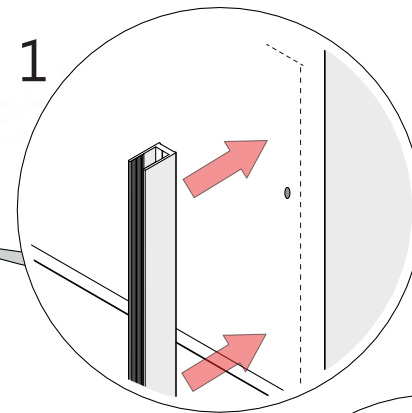
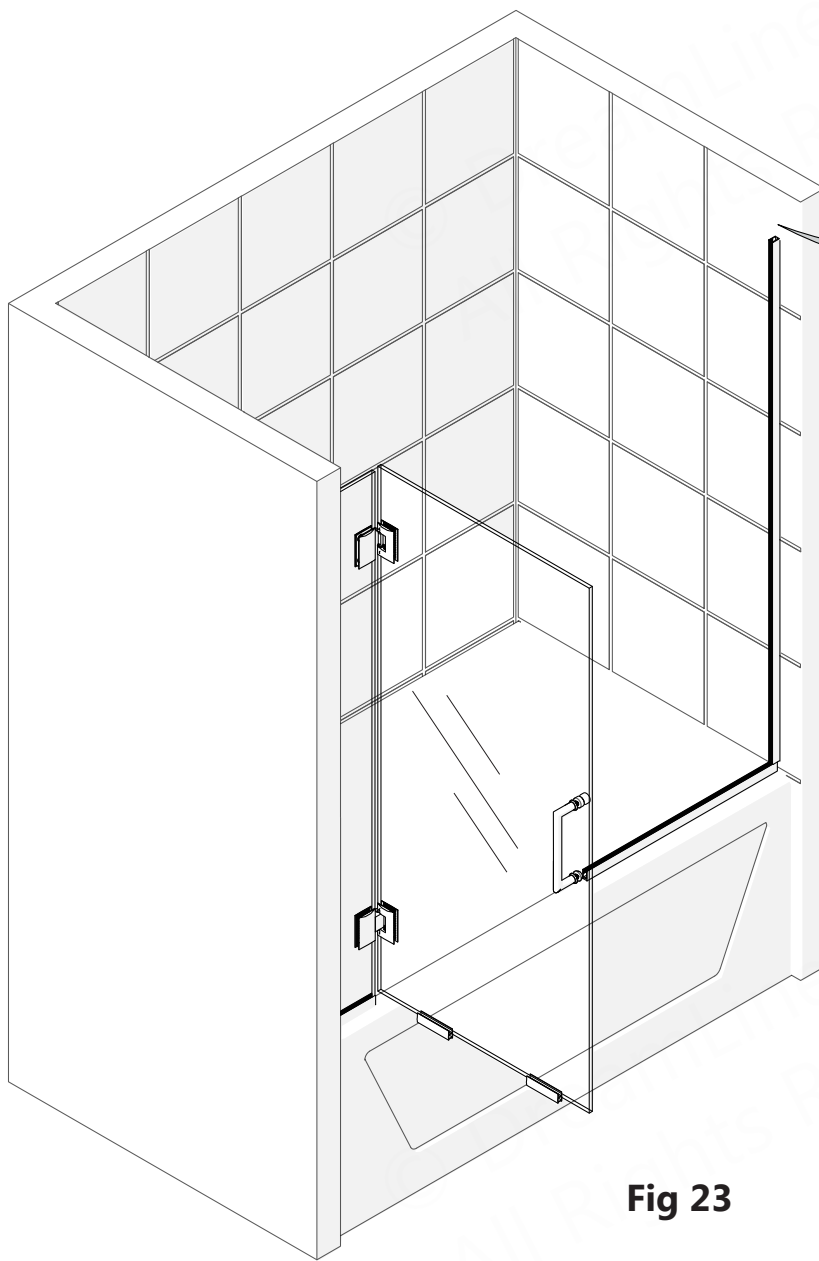
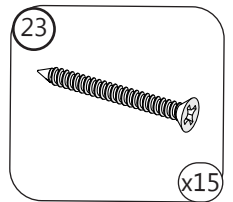
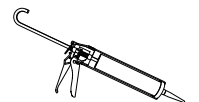


Fig 23

Parts Needed



Tools Needed



24

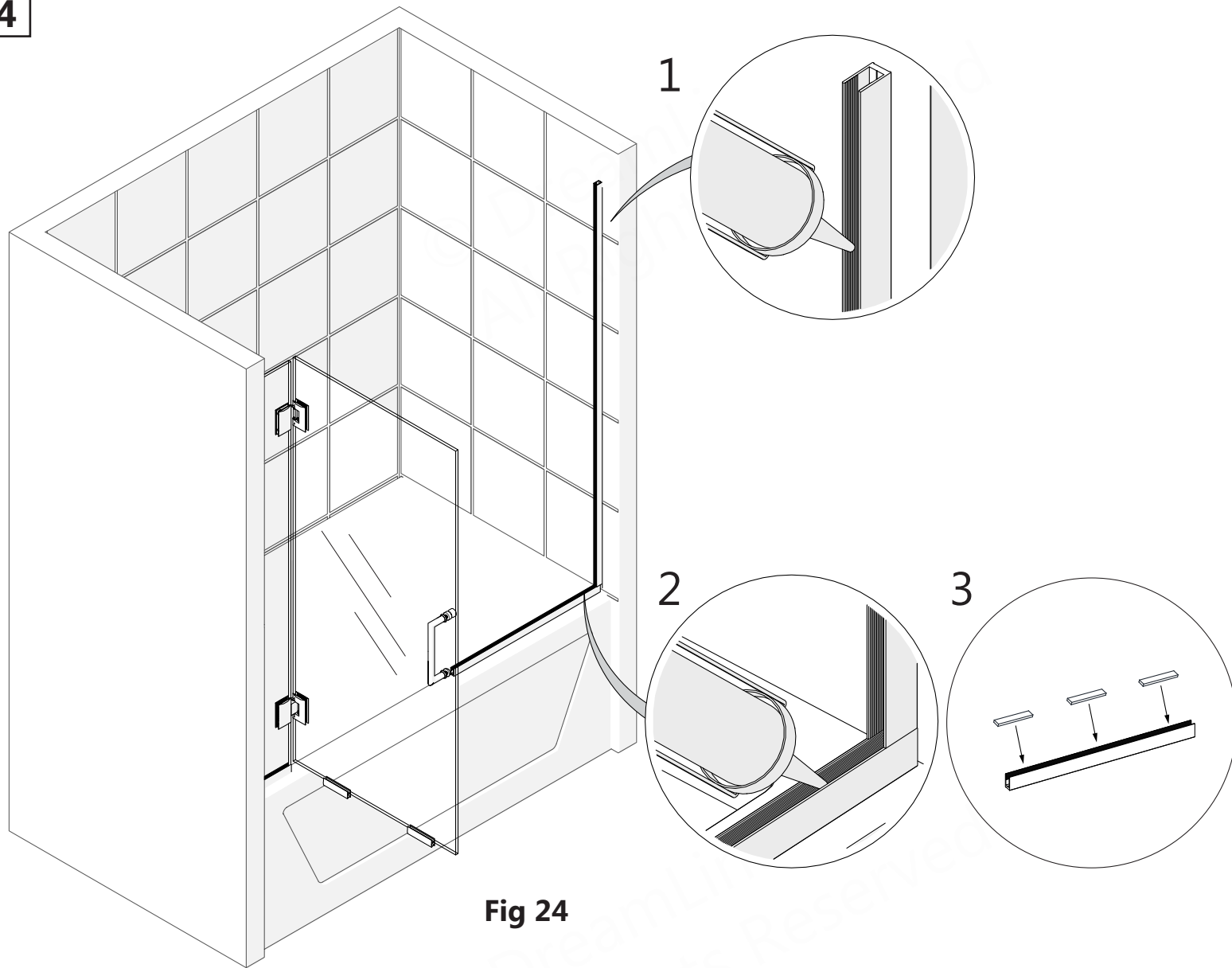


Fig 24

NOTE

After applying silicone into the Bottom U-Channel, install several 2" - 3" pieces of the PVC Glass Spacer 0.5mm (#28) into the Bottom U-Channel (#29) to protect the bottom edge of the glass. (Fig 11.3)

Tools Needed

A small illustration of a caulk gun, used for applying silicone to the tracks.

25

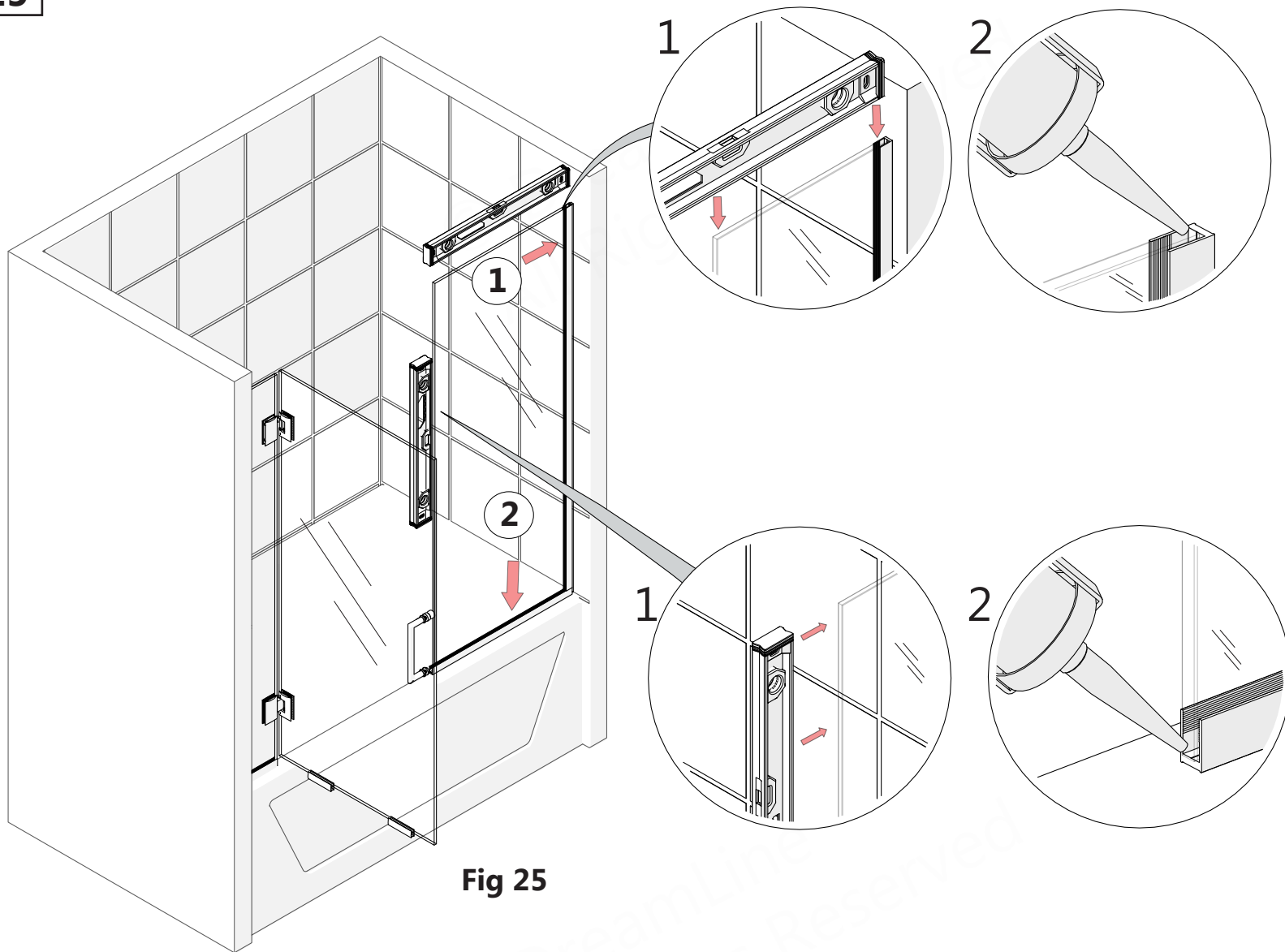
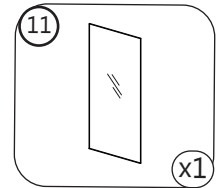


Fig 25

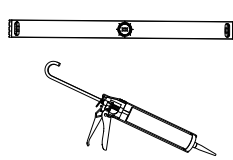


NOTE Slide the panel glass into the vertical u-channel first and then slide it down into the bottom u-channel.

Parts Needed



Tools Needed



26a

Hinge Side Vinyl Seal Installation

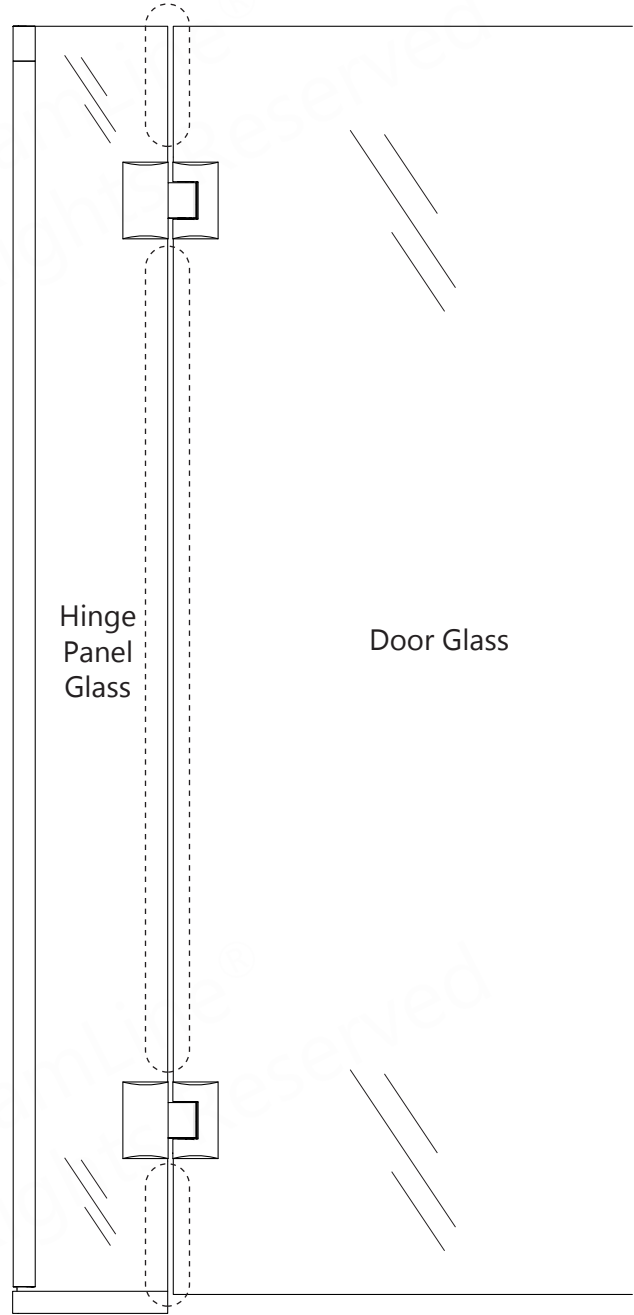
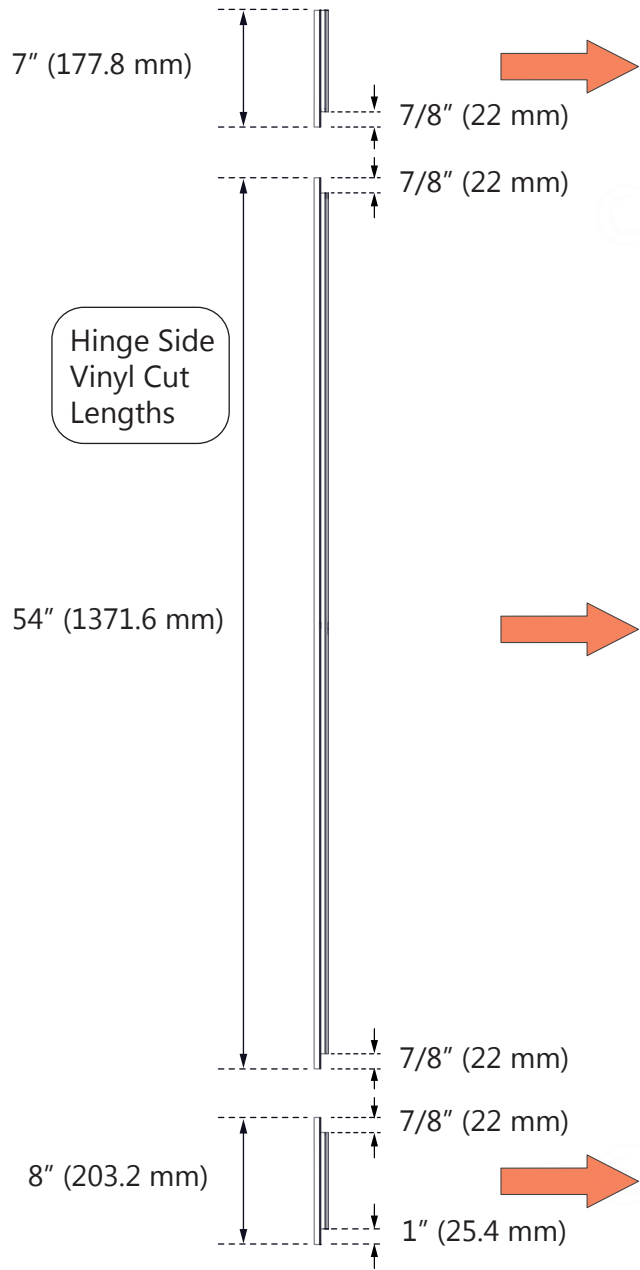
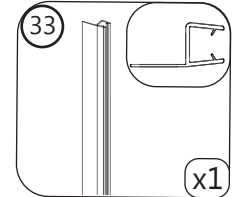
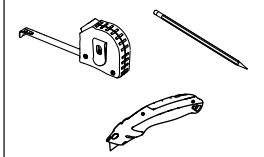


Fig 26a

Parts Needed



Tools Needed



26b

Hinge Side Vinyl Seal Installation

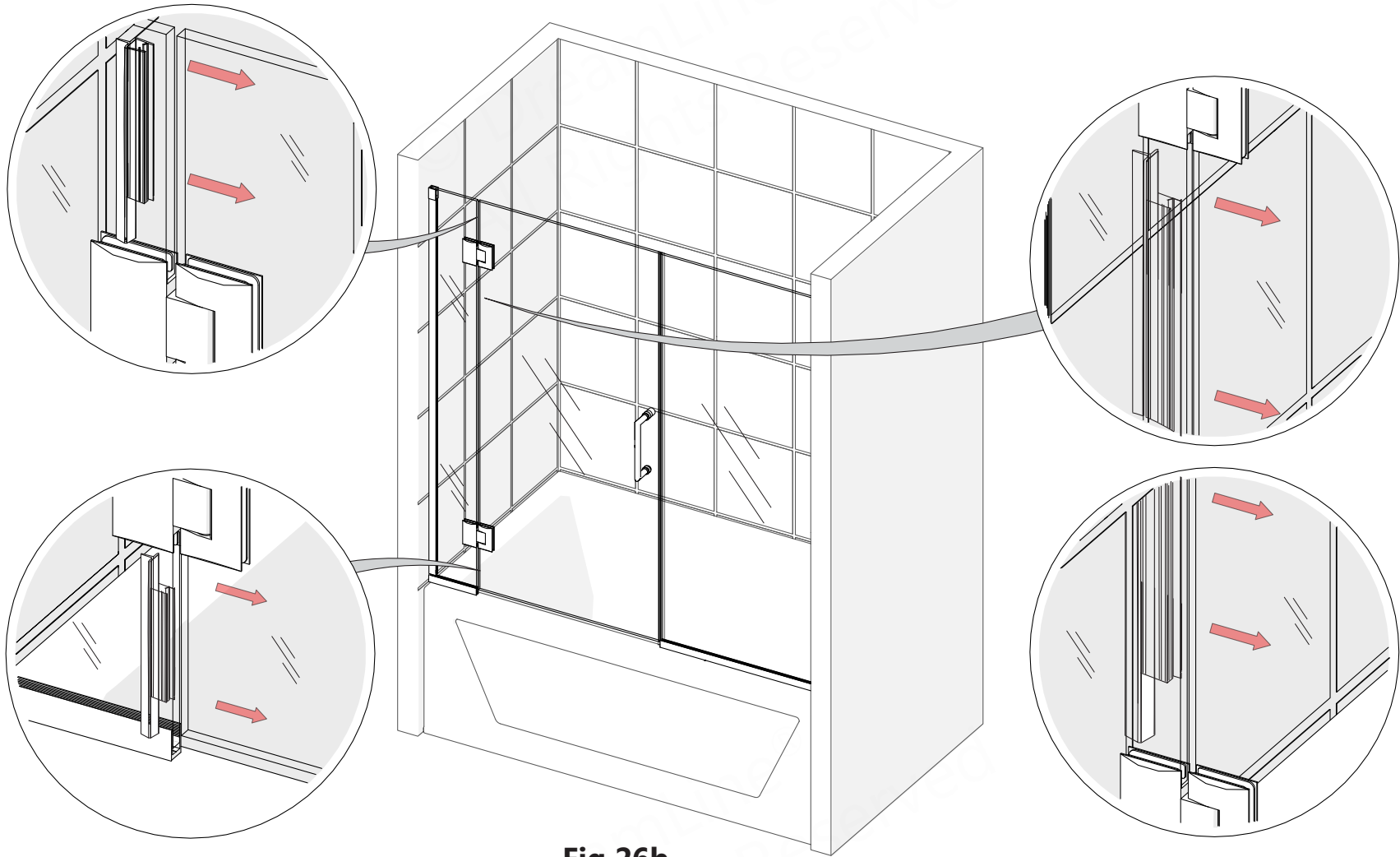


Fig 26b

27

Bottom Sweep Vinyl Seal Installation

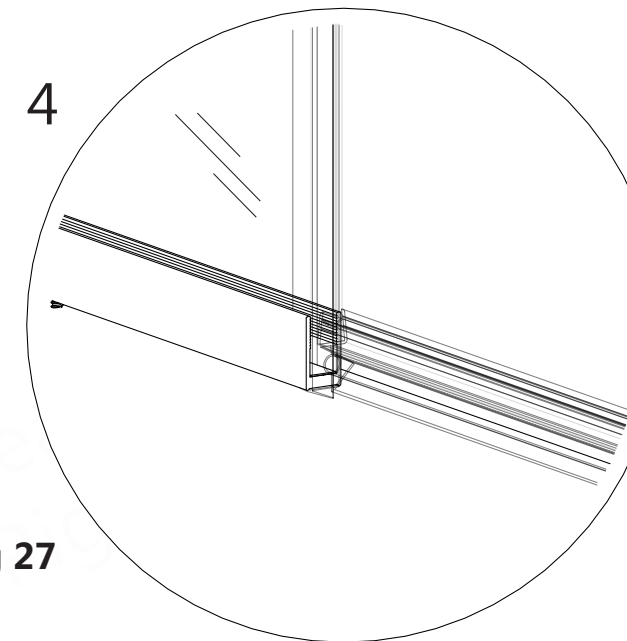
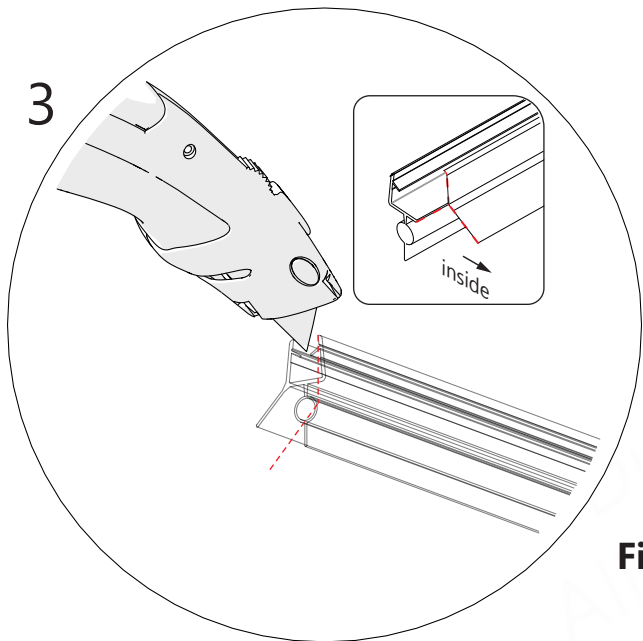
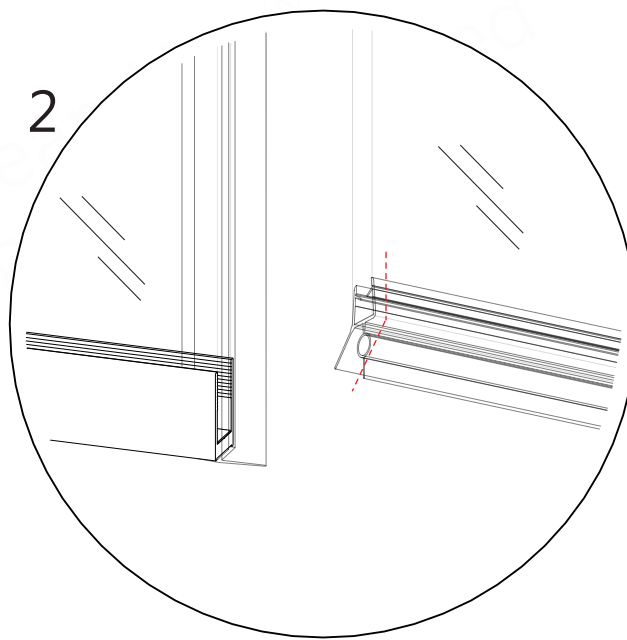
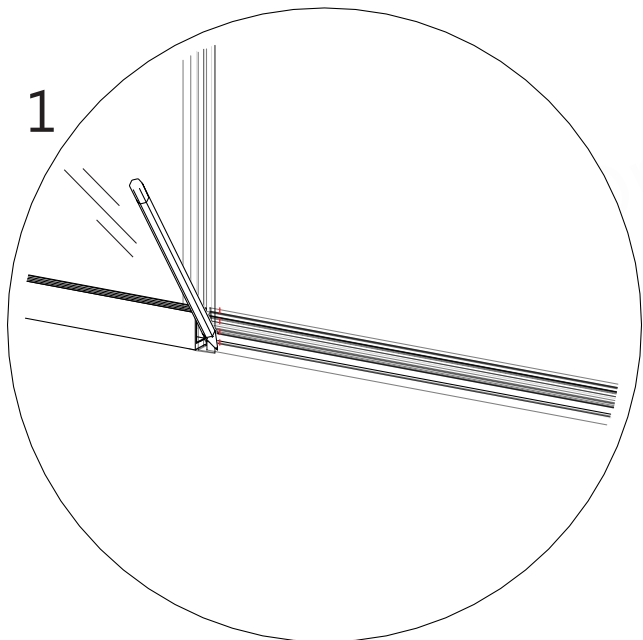
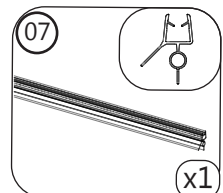


Fig 27

Parts Needed



Tools Needed



28



The surfaces need to be clean and free of debris before applying silicone

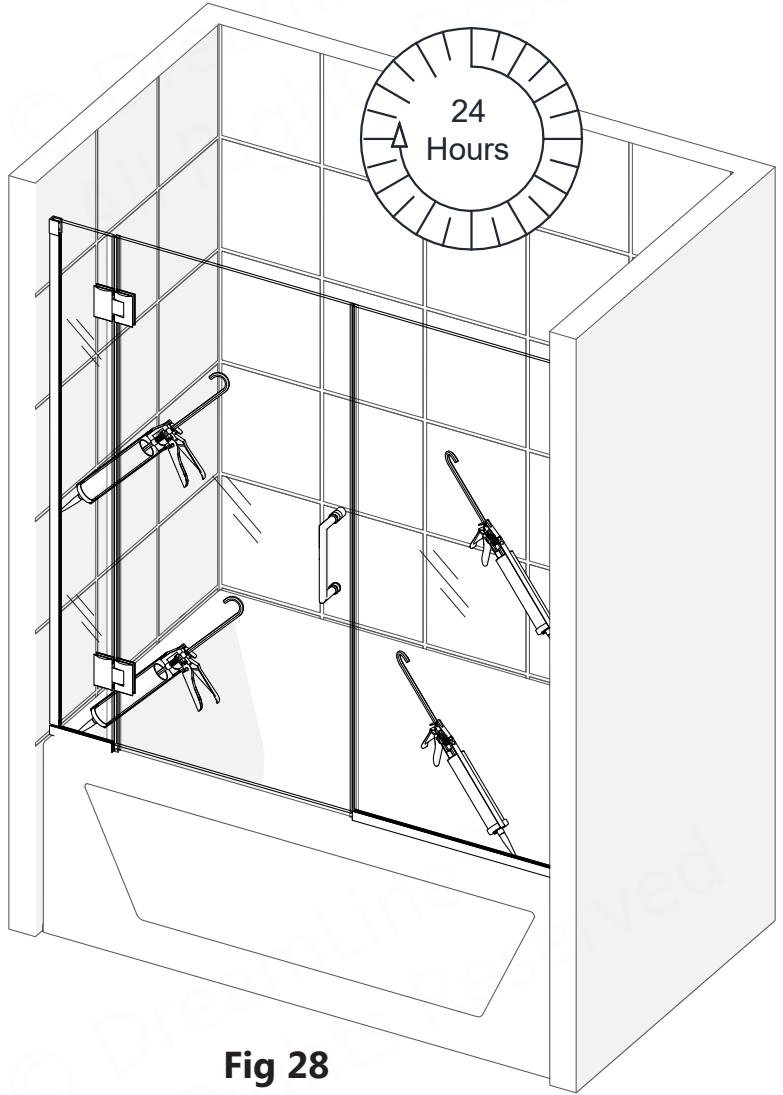


Fig 28



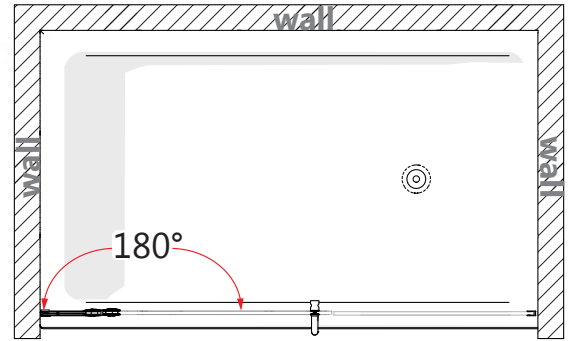
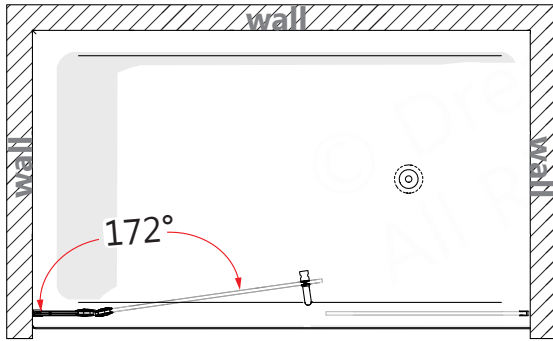
Allow 24 hours for the silicone to cure before using the shower

Tools Needed

Glass-to-Glass Hinge Assembly Adjustment Procedure



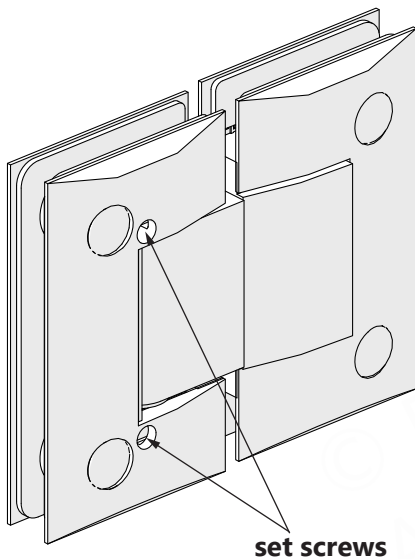
The glass-to-glass hinge assemblies are preset to overclose to 172° for a tight seal against the **180° Inline Strike Vinyl (#19)** installed on the **Inline Panel Glass (#11)**. The adjustment feature on the hinge assemblies is used to change the closing angle of the door only. Both the top and bottom Hinge Assemblies must be adjusted at the same time and to the same angle during adjustment.



Overview of UNIDOOR-X Tub left-swing installation shown

The Adjustable Glass-to-Glass Hinge Assemblies are factory pre-set to overclose to 172° to create a tight seal with the 180° Inline Strike Vinyl.

How to Adjust the Glass-to-Glass Hinge Assemblies



Once the **Door Glass (#01)** is installed:

- Hold the door in the closed position and loosen the adjustment set screws on **both** hinges with the supplied Allen Key
- Move the door to the new desired closed position
- While holding the door in the new closed position, retighten the set screws on **both** hinges
- The Door Glass will now close to the new closed position



Do not adjust the hinges separately or before installation. This could lead to problems with the hinges operating together correctly.



To prevent water leakage, adjust the **Hinge Assemblies (#05)** to overclose so the Door Glass creates a tight seal with the **L-Strike Vinyl Seal (#08)** (for single shower door models) or the **Strike Vinyl Seal** included with the Inline Panel or Return Panel Glass.

Tools Needed



Product Maintenance

BASES and BACKWALLS: To ensure long lasting life for your acrylic back walls: wipe them off after each use with a soft cloth. To clean the acrylic back walls use non-abrasive sprays or cream based cleaners. Avoid the use of aerosol spray cleaners. Never use abrasive cleansers, metal brushes or scrapers that could permanently scratch or dull the surface.

GLASS: To ensure long lasting life for your glass shower products: wipe them off after each use with a soft cloth. Rinse and wipe off the glass using either a soft cloth or a squeegee to prevent soap buildup and water spots (Hard water can etch the surface of the glass over time if left to dry). To prevent scratching the surface: never use abrasive cleaners or cleaning products that contain scouring agents. Never use bristle brushes or abrasive sponges that may scratch the surface of the glass.

HARDWARE: To ensure a long lasting finish: wipe off all metal parts after each use with a soft cloth. Do not use abrasive cleaners or cleaning products containing ammonia, bleach or acid. If accidentally used, rinse the surface as soon as possible to prevent damage to the finish (peeling or corrosion). After cleaning the polished finishes, rinse thoroughly and wipe dry with a soft clean-cloth.

Clean stainless steel surfaces at least once a week. When applying stainless steel cleaner or polish to stainless steel hardware, work with the grain (not across the grain). Never use an abrasive sponge or cloth, steel wool or wired brush as these may permanently scratch the surfaces.



To maximize the life of your door, it is important to regularly inspect the glass and other hardware for misalignment, proper attachment, and/or damage. Contact DreamLine® with any questions or concerns.

UNIDOOR-X 58×58 Tub Maintenance Checklist

- Check that the unit is stable, operates smoothly and that installation is secure.
- Confirm that all screws/bolts are tight.
- Confirm that all vinyl seals are intact (replace if missing or damaged to prevent water leakage.)
- Inspect exposed and concealed glass edges for damage
 - Damaged glass must be replaced!**
- Inspect silicone caulk for gaps. Replace silicone as necessary to prevent water leakage.

Troubleshooting

Problem/Symptom	Suggested Solution	Page(s)
Missing Parts	<ul style="list-style-type: none"> •Check all shipping/packaging material for missing parts/components. •If not found, contact DreamLine Customer Support [1-866-731-2244] to order factory part replacement. 	—
Door Glass (#01) does not close flush with the 180° Strike Vinyl (#19) and Inline Panel Glass (#11)	<ul style="list-style-type: none"> •Inspect the 180° Degree Strike Vinyl (#19) and ensure the orientation of the vinyl is installed correctly. •Check that the 180° Degree Strike Vinyl (#19) is installed correctly so the Door Glass closes flush with the vinyl. •Check that the reveal between the door and the strike vinyl is consistent/even. Use a level and adjust the assembly as necessary 	29
Top of Inline Panel Glass (#11) is not flush with the top of the Door Glass	<ul style="list-style-type: none"> • Measure that the height of the Door and Inline Panel Glass is at 58 inches (1473.2mm). • Confirm the Hinge Assemblies (#05) are tightly secured to the Door Glass. •Inspect the Inline Panel Glass and ensure it is placed properly within the U-Channels. 	29
Water Leakage: beneath the Bottom U-Channel (#29) and Inline Panel (#11)	<ul style="list-style-type: none"> •Confirm that all screws are tightly secured to the threshold •Inspect the silicone caulk and ensure that a complete application of silicone caulk has been applied. Allow 24 hours to cure the silicone before attempting to use the shower. 	—
Door Glass (#01) dropping or making contact with tub deck	<ul style="list-style-type: none"> •Confirm the Hinge Panel Glass Bracket (#36) rubber-tipped set screws are tight and secure the Hinge Panel Glass into position •Ensure the Glass-to-Glass Hinge Assembly (#05) bolts are tight and square to the Door Glass (#01) 	18



Prior to contacting DreamLine® Customer Service, please have the following information readily available:

- Purchase Order Information:
 - Name, PO Number, Dealer/Vendor Name, etc.
- SKU/Model Number (see Page 41)
- Factory Part Information (see Page 41)

Factory Parts Information

UNIDOOR-X Tub 58×58 {D58580-##}		FACTORY PARTS INFORMATION	
ITEM #	FACTORY PART NUMBER	ITEM DESCRIPTION	QTY
01	010013018	Door Glass	1 pc
02	0722 1 041 / 0722 4 041 / 0722 6 041 / 0722 9 041	Single-Sided 8in. Tubular Handle Assembly with Knob for 10mm (3/8in.) Glass	1 pc
05	0741 1 028 / 0741 4 028 / 0741 6 028 / 0741 9 028	180 Degree Glass-to-Glass Hinge Assembly for 10mm (3/8in.) Glass	2 pcs
07	063015100-0682	Bottom Sweep Vinyl for 10mm (3/8in.) Glass	1 pc
09	041540 1 1-1930 / 041540 4 1-1930 / 041540 6 1-1930 / 041540 9 1-1930	U-Channel 1" Aluminum for 10mm (3/8in.) Glass	2 pcs
11	010013017	Inline Panel Glass	15 pcs
13	07552148	Wall Anchor 8mm (5/16in.)	1 pc
19	063010100-1473	Inline Strike Vinyl	15 pcs
23	092108	ST4.2×40mm Countersunk Screw	1 pc
29	041540 1 1-1118 / 041540 4 1-1118 / 041540 6 1-1118 / 041540 9 1-1118	U-Channel 1" Aluminum for 10mm (3/8in.) Glass	1 pc
32	010013016	Hinge Panel Glass	1 pc
33	063014100-1473	180 Degree Strike Vinyl for 10mm (3/8in.) Glass	1 pc
34	07550094	PVC Glass Spacer 0.5mm	1 pc
36	0702 1 149 / 0702 4 149 / 0702 6 149 / 0702 9 149	Hinge Panel Glass Bracket for 10mm for (3/8in.) Glass	1 pc

BOLD digit indicates finish: **1** = Chrome; **4** = Brushed Nickel;
6 = Oil Rubbed Bronze; **9** = Satin Black

Contact Support@DreamLine.com for Part replacement, installation assistance or additional information.
 Complete **Warranty** information is available on DreamLine.com.



TEL: 866-731-2244
FAX: 866-857-3638
DREAMLINE.COM



For more information on DreamLine® Shower Doors and Enclosures please visit **DreamLine.com**