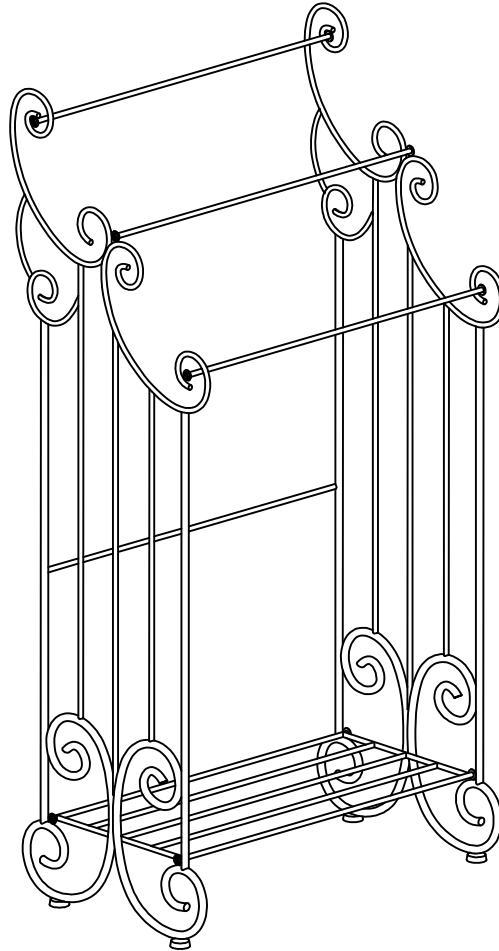


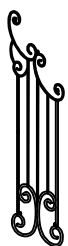
ASSEMBLY INSTRUCTIONS



NOTE TO CUSTOMERS:

- For ease and speed of assembly we recommend that before you commence each step of the assembly that you identify all the parts required to complete that step.
- We recommend that where possible you allow sufficient space to assemble the item as close as possible to the place where it will be once assembled.
- For the protection of your furniture we recommend that the product is placed on protected surfaces during assembly to prevent any damage.
- During assembly do not over tighten, as this may damage the product.
- Please ensure you retain all the product packaging until the item completely assembled.
- Please periodically check all fittings and re-tighten as necessary.
- It is recommended that this item should be assembled by two adults.

Part List



A: Left Side Frame
1PC



B: Right Side Frame
1PC



C: Bottom Frame
1PC



D: Connect Bar
4PCS

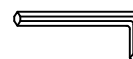
Hardware List



a: Bolt 12PCS





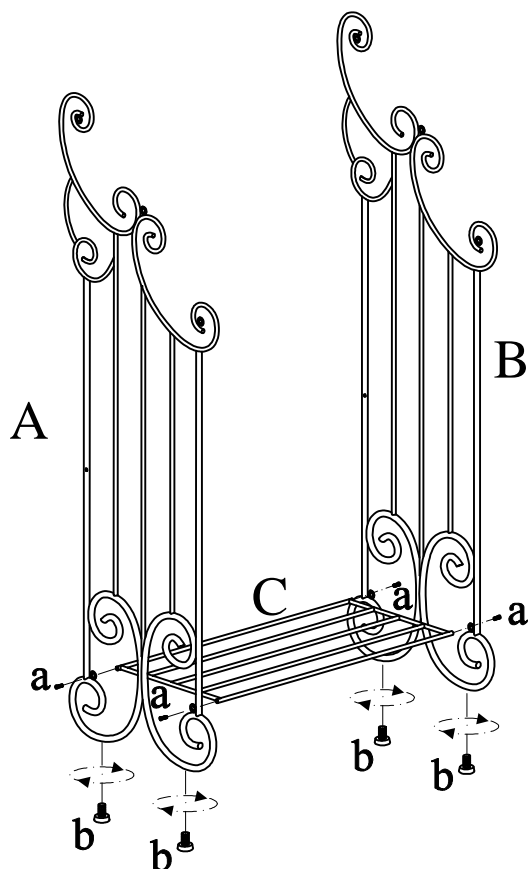
b: Adjustable Leveler 4PCS



d: Allen Wrench 1PC

STEP 1

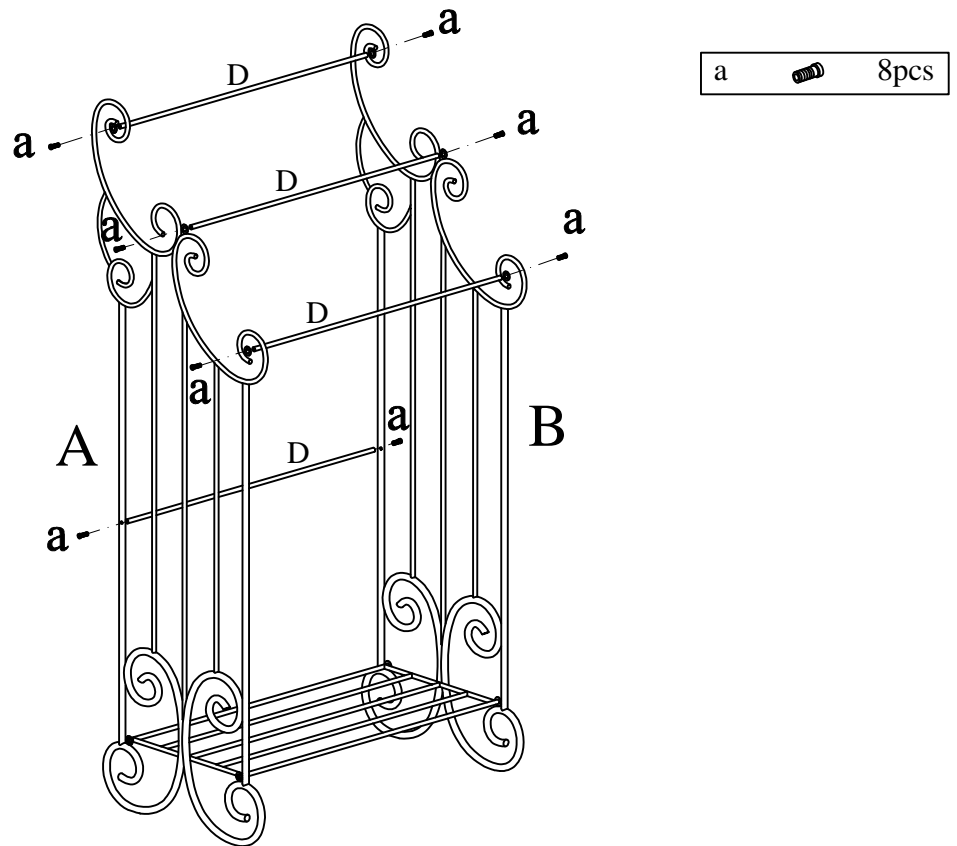
a		4pcs
b		4pcs



Tighten Adjustable Levelers (b) to bottom of Side Frames (A&B).

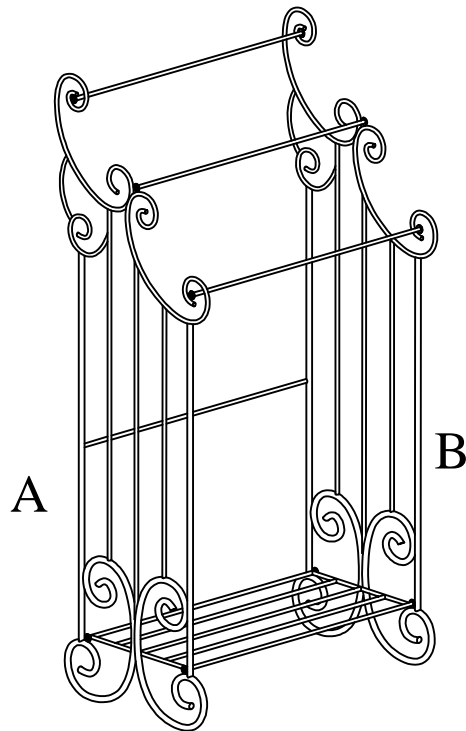
Assemble Bottom Frame (C) to Side Frames (A&B) using Bolts (a). Please do not tighten Bolts (a) until step 3.

STEP 2



Assemble Connect Bars (D) to Side Frames (A&B) using Bolts (a). Please do not tighten Bolts (a) until step 3.

STEP 3



Place this rack on the floor and check if it is stable before tightening all bolts.
Note: Please adjust Levelers (b) if this unit is not stable.