

## CARE AND MAINTENANCE

Spot clean using a mild water-free solvent. Only a professional cleaner should undertake a complete overall cleaning.

The use of steam or water-based cleaners may cause excessive shrinking or staining.




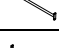
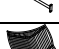

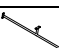




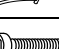
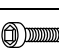




## NOTICE

\* Please make sure that you have all parts indicated before you begin assembly of this item

\* This item should be assembled on a soft surface to prevent scratching the finish during assembly

\* This item may require periodic tightening

## Part List and Hardware List

PIECE	DESCRIPTION	PICTURE	QUANTITY
1	Chair Body		2X
2	Right Chair/Sofa Leg		3X
3	Left Chair/Sofa Leg		3X
4	Front Chair Bar		2X
5	Back Chair Bar		2X
6	Sofa Body		1X
7	Back Sofa Bar		1X
8	Front Sofa Bar		1X
9	Sofa Cushion		2X
10	Chair Cushion		2X
11	Table Top		1X
12	Table Glass Top		1X
13	Table Leg		2X
A	Allen Bolt(M6x40 mm)		12X
B	Allen Bolt(M6x20 mm)		34X
C	Flat washer		46X
D	Allen key		1X

 **SAFAVIEH**  
O U T D O O R

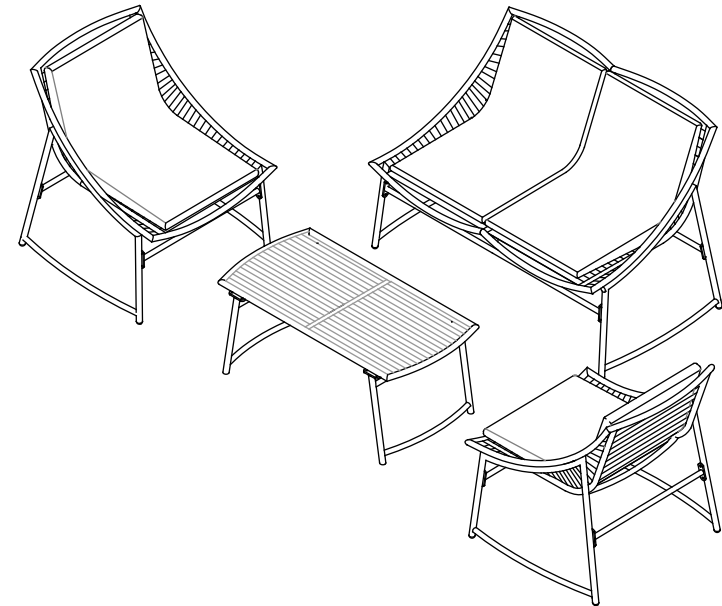
Model# PAT2009

Product Dimensions:

26.4" W x 28.3" D x 29.9" H (Chair)

50" W x 28.3" D x 29.9" H (Sofa)

36.2" W x 18.1" D x 13.8" H (Table)



# PREPARATION

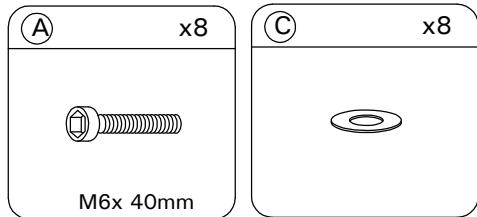
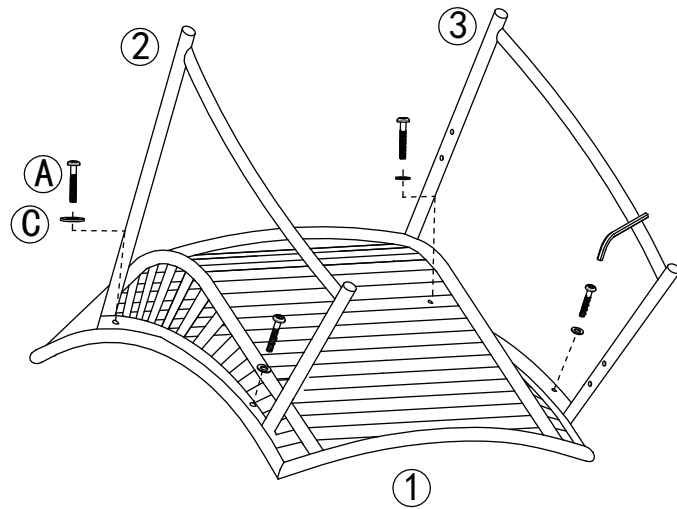
Before beginning assembly of product, make sure all parts are present. Compare parts with package contents list and hardware contents list.

If any part is missing or damaged, do not attempt to assemble the product.

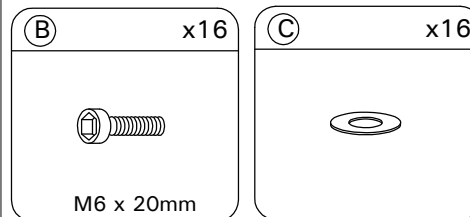
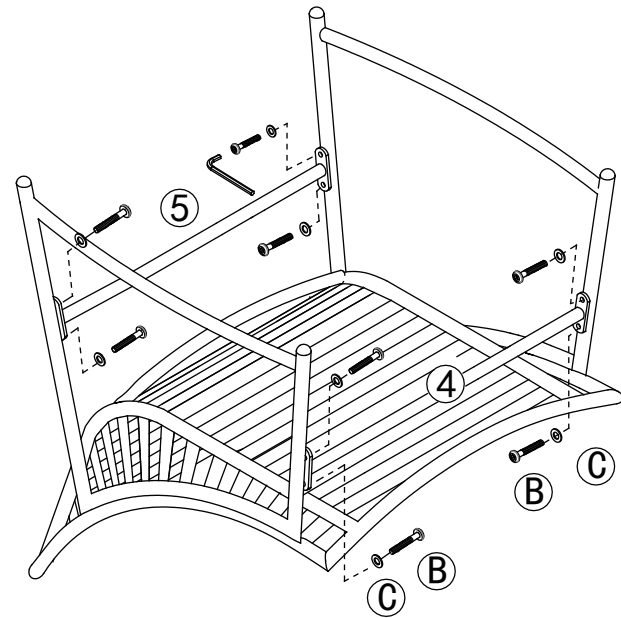
Estimated Assembly Time: 45 minutes.

Tools Required for Assembly (included): Allen Key

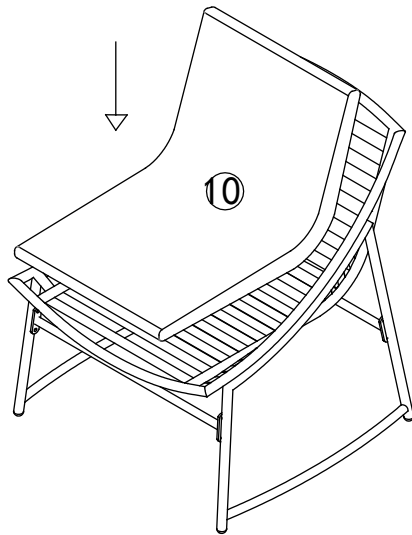
1 X2



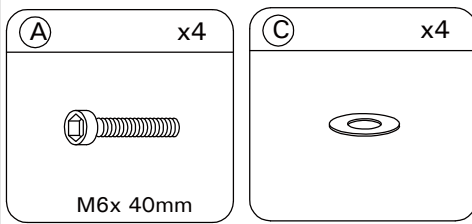
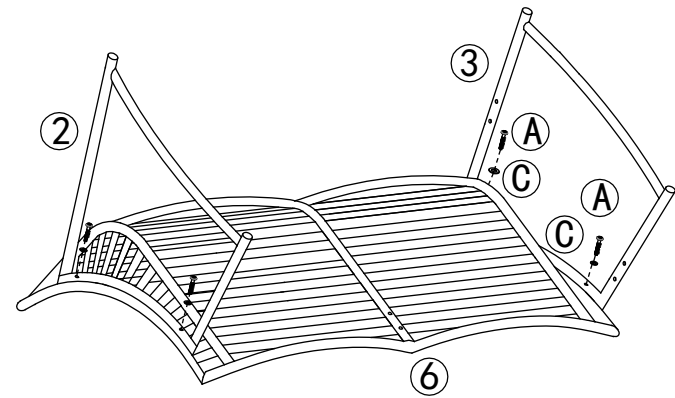
2 X2



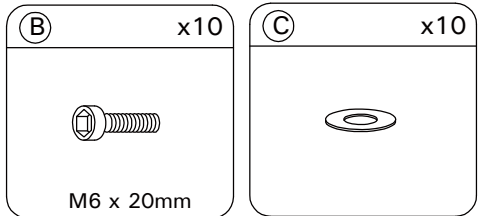
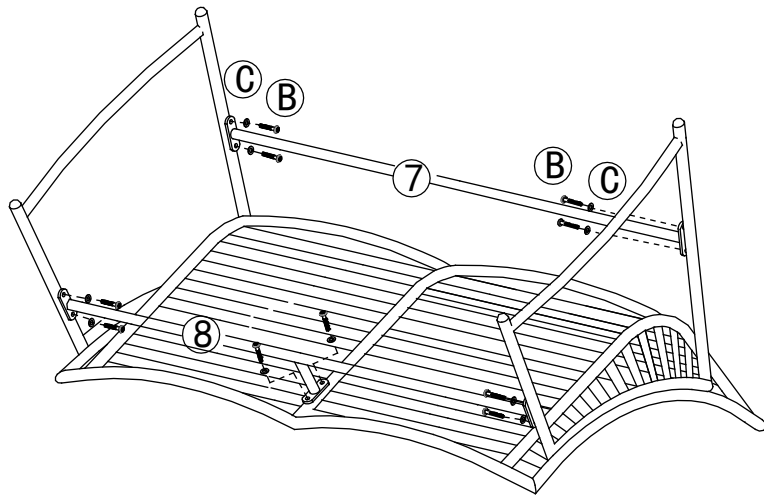
3 x 2



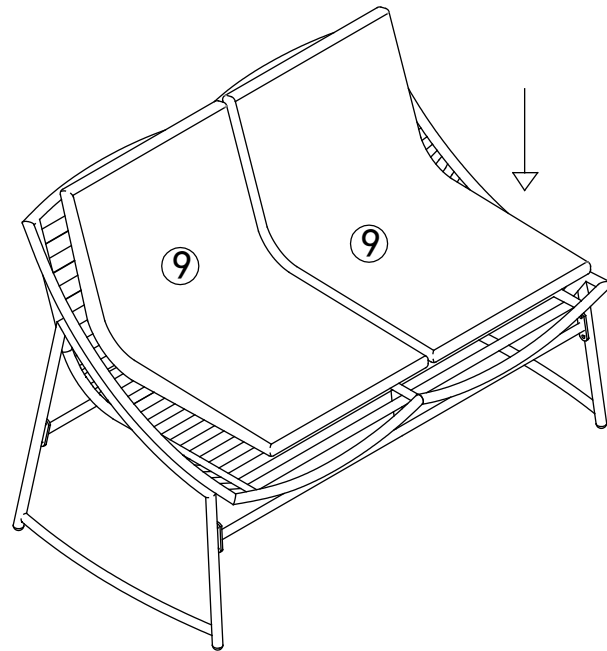
4



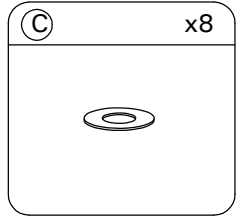
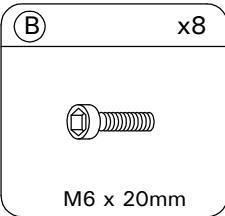
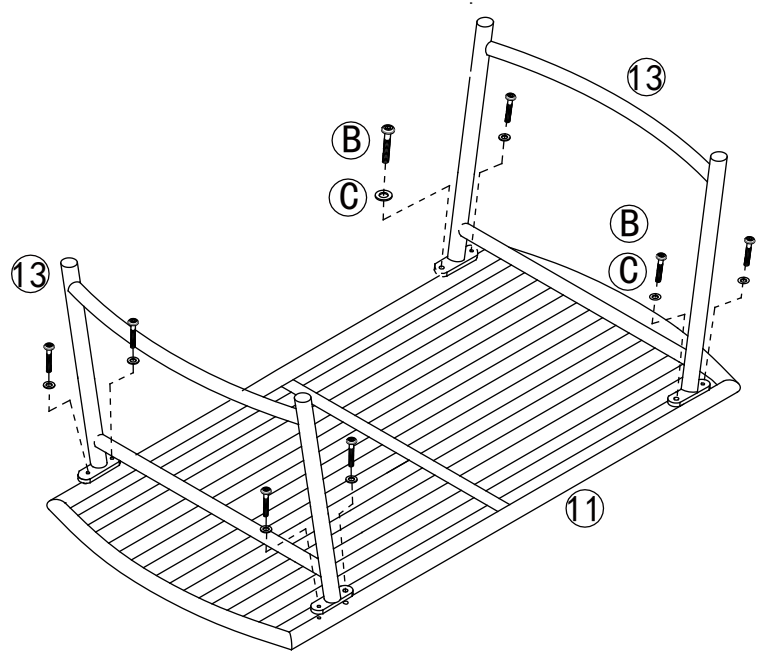
5



6



7



8

