

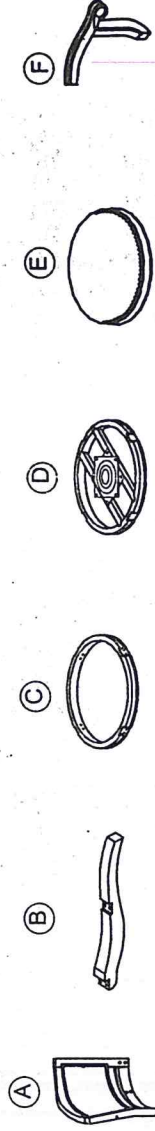
ASSEMBLY INSTRUCTIONS

MODEL: TA-2125-24-CHY-GG TA-2125-29-CHY-GG

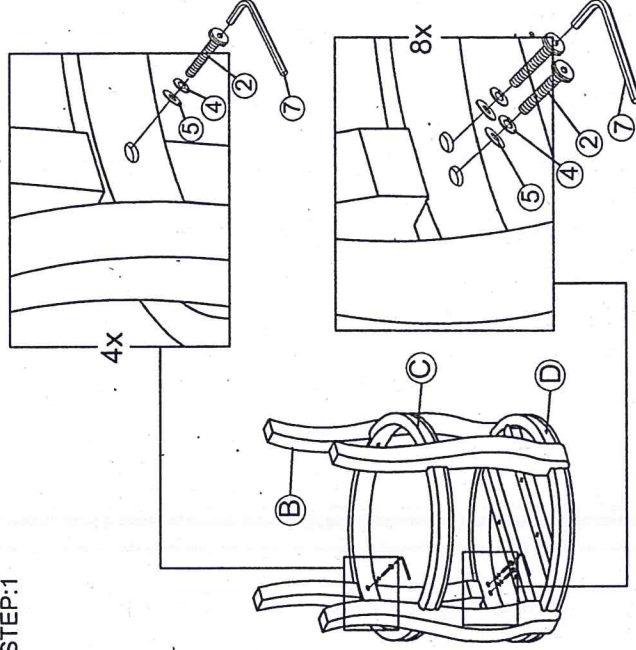
Please read this instruction carefully. Refer to hardware and furniture parts list for guidance. Be sure all parts are complete before assembling. Place all wooden furniture part on a clean and flat soft surface to prevent scratches. Do not tighten all screws until the stool is fully set up.

ITEM	DESCRIPTION	QTY
A	Backrest	1pc
B	Chair Leg	4pcs
C	Footrest	1pc
D	Apron with swivel plate	1pc
E	Cushion seat	1pc
F	(Left/Right) Armrest	2pcs

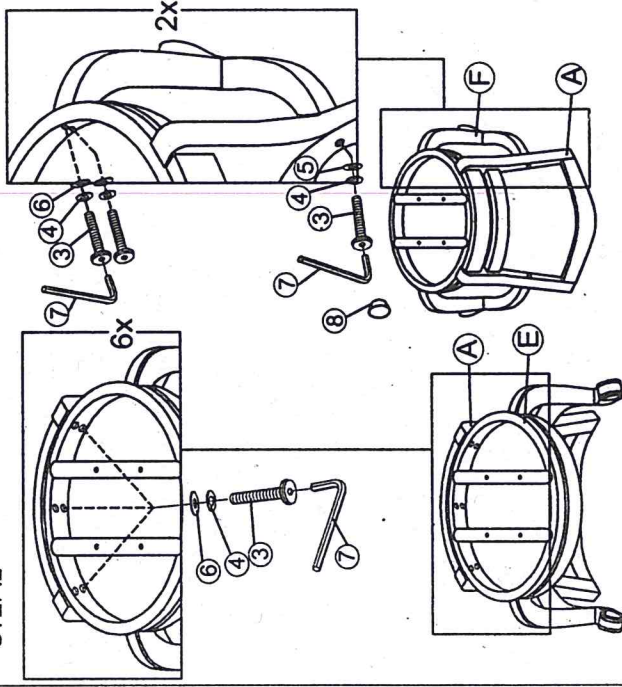
ITEM	DESCRIPTION	QTY
1	JCBC Screw M6x30mm	4pcs
2	JCBC Screw M6x35mm	12pcs
3	JCBC Screw M6x45mm	12pcs
4	Lock Washer M6x10mm	24pcs
5	Flat Washer M6x13mm	14pcs
6	Flat Washer M6x16mm	14pcs
7	Small Allen Key M4	1pc
8	Wooden plug Ø14	2pcs



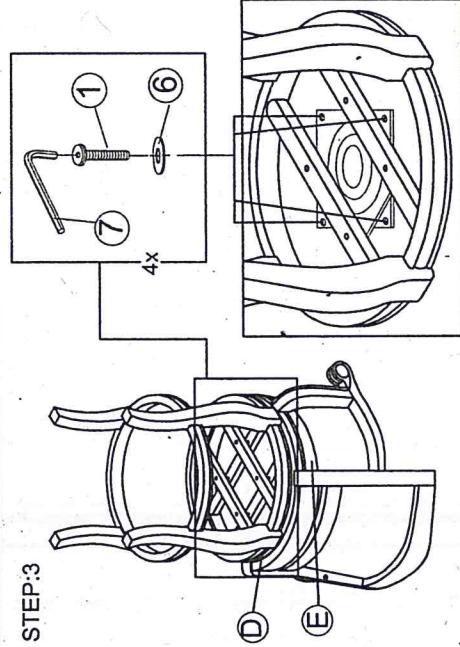
STEP:1



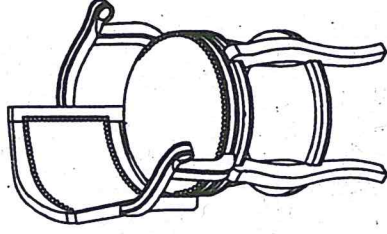
STEP:2



STEP:3



STEP:4



NOTICE: Before assembly screws, have to make sure that legs were keep in a stable position, and then tightening screws, if not, the