

Thank you for choosing a **PALACE IMPORTS** product.
Your total satisfaction is our #1 priority.

Customer Service and Warranty Information

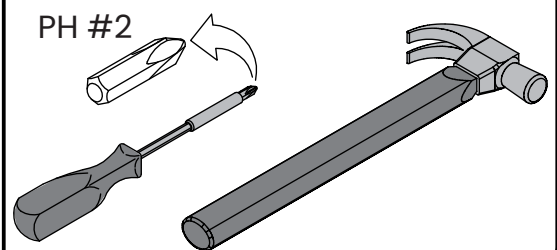
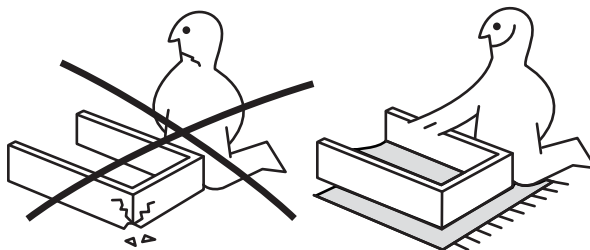
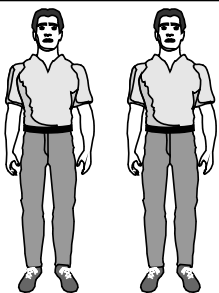
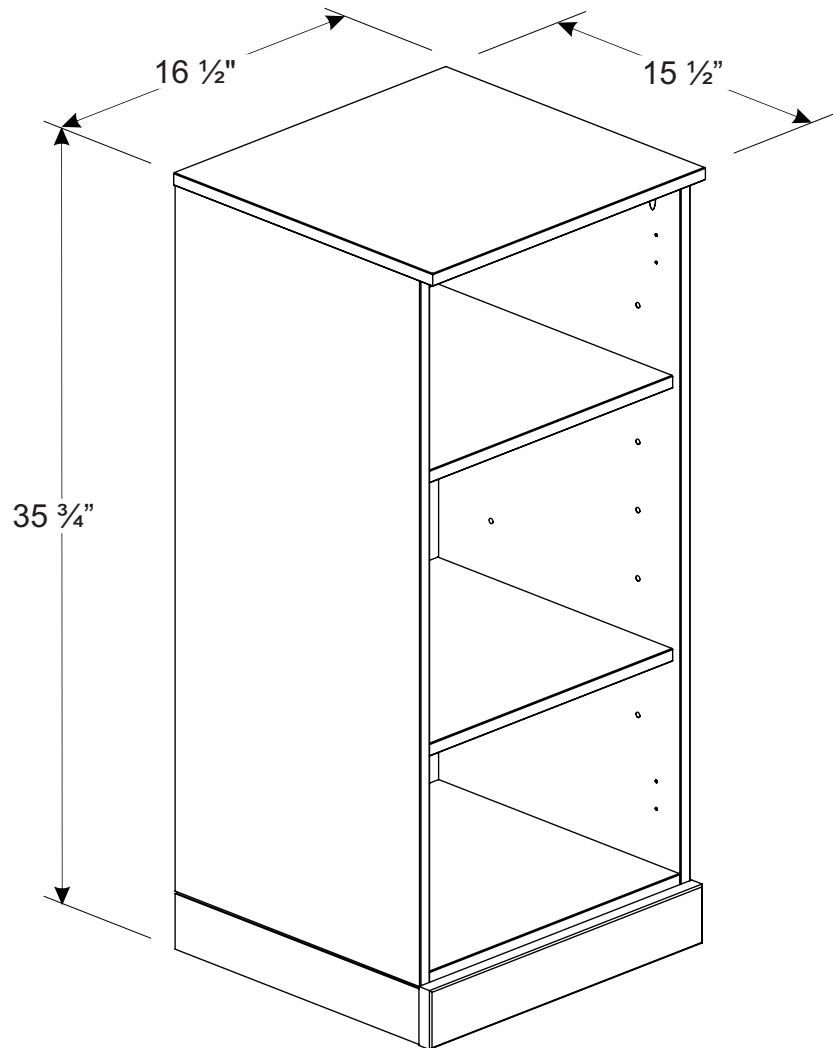
- Should you have a problem or need more information concerning the warranty, **do not contact the place of purchase. Please email our customer service department for immediate assistance at info@palaceimportsinc.com or go to www.palaceimportsinc.com**
- PALACE IMPORTS products are warranted to the original purchaser against defects in material or workmanship in the furniture. Defects as mentioned in this warranty refer to any imperfections which may impair the use of the product. Our warranty is expressly limited to the replacement of furniture parts and components for one year following the date of purchase.
- PALACE IMPORTS will replace any part that is defective. This warranty applies under conditions of normal use. Our furniture products are not intended for outdoor use. The warranty does not cover defects caused by improper assembly or disassembly, defects occurring after purchase due to product modifications, intentional damage, accident, misuse, exposure to the elements and labor or assembly costs.
- PALACE IMPORTS reserves the right to request proof of purchase to document a warranty claim. In no event shall PALACE IMPORTS be liable for incidental or consequent damages resulting from the misuse of the product.



ASSEMBLY GUIDE

PANTRY 1-DOOR CABINET

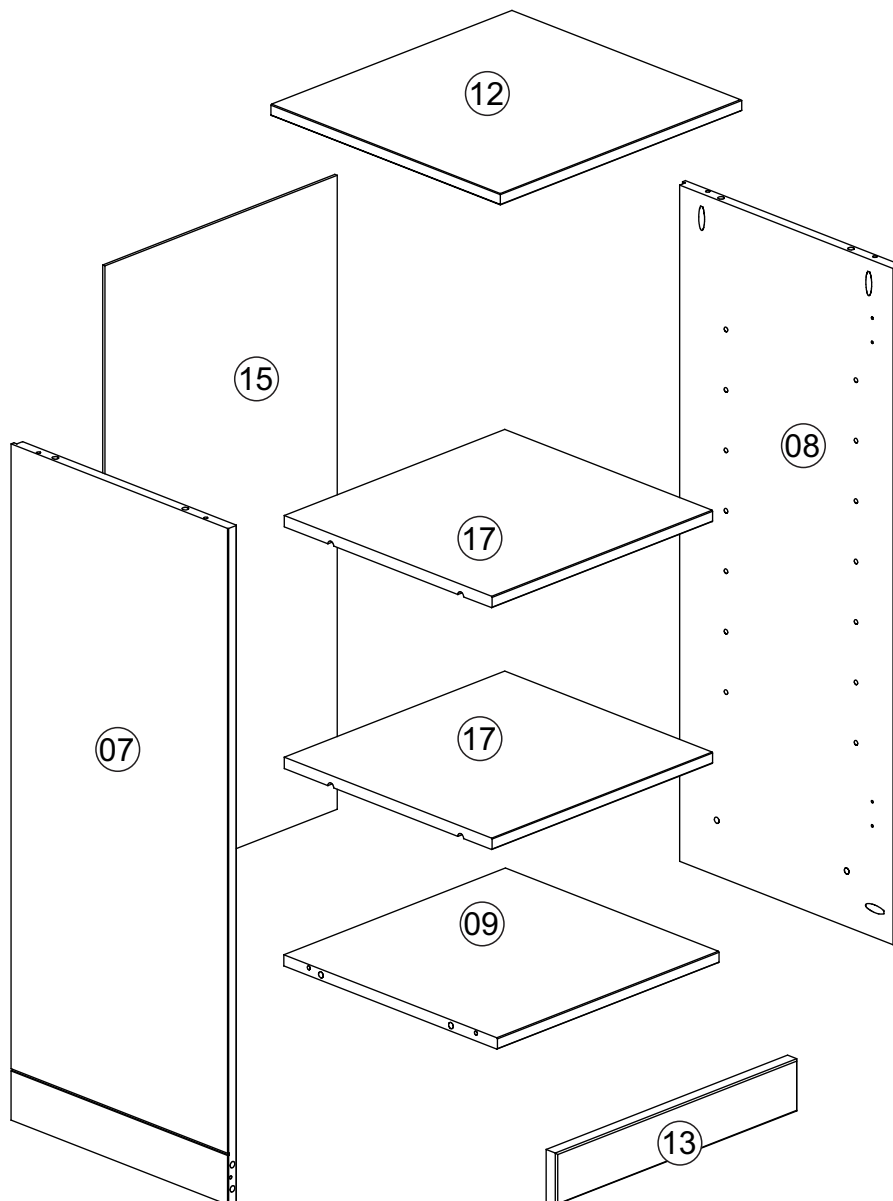
SKU 9101 - White
SKU 9107 - Black




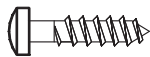
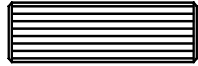
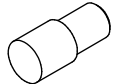
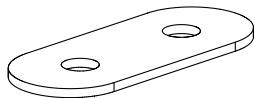
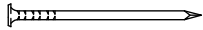
PRE-ASSEMBLY PREPARATION

- Please check the contents before assembling. A full checklist of parts is provided below
- If any parts are missing or damaged, please contact us at info@palaceimportsinc.com
- Assemble on a flat, smooth surface on top of a blanket
- Use only low-speed power drill setting
- Assemble as near as possible to the point of use
- The hardware pack contains SMALL ITEMS which should be KEPT AWAY FROM YOUNG CHILDREN

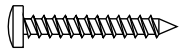
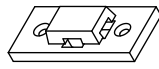

PARTS DIAGRAM



SCREWS ARE SHOWN IN ACTUAL SIZE

A1	 4,0x30	10+1
A9	 3,5x16	4+1
C2	 8,0x25	12+1
D4		08+1
D48	 31x13	02
G1	 10x10	30

FURNITURE TIP-OVER RESTRAINT

A8	 3,0x20	02+1
F8		02
F9		01

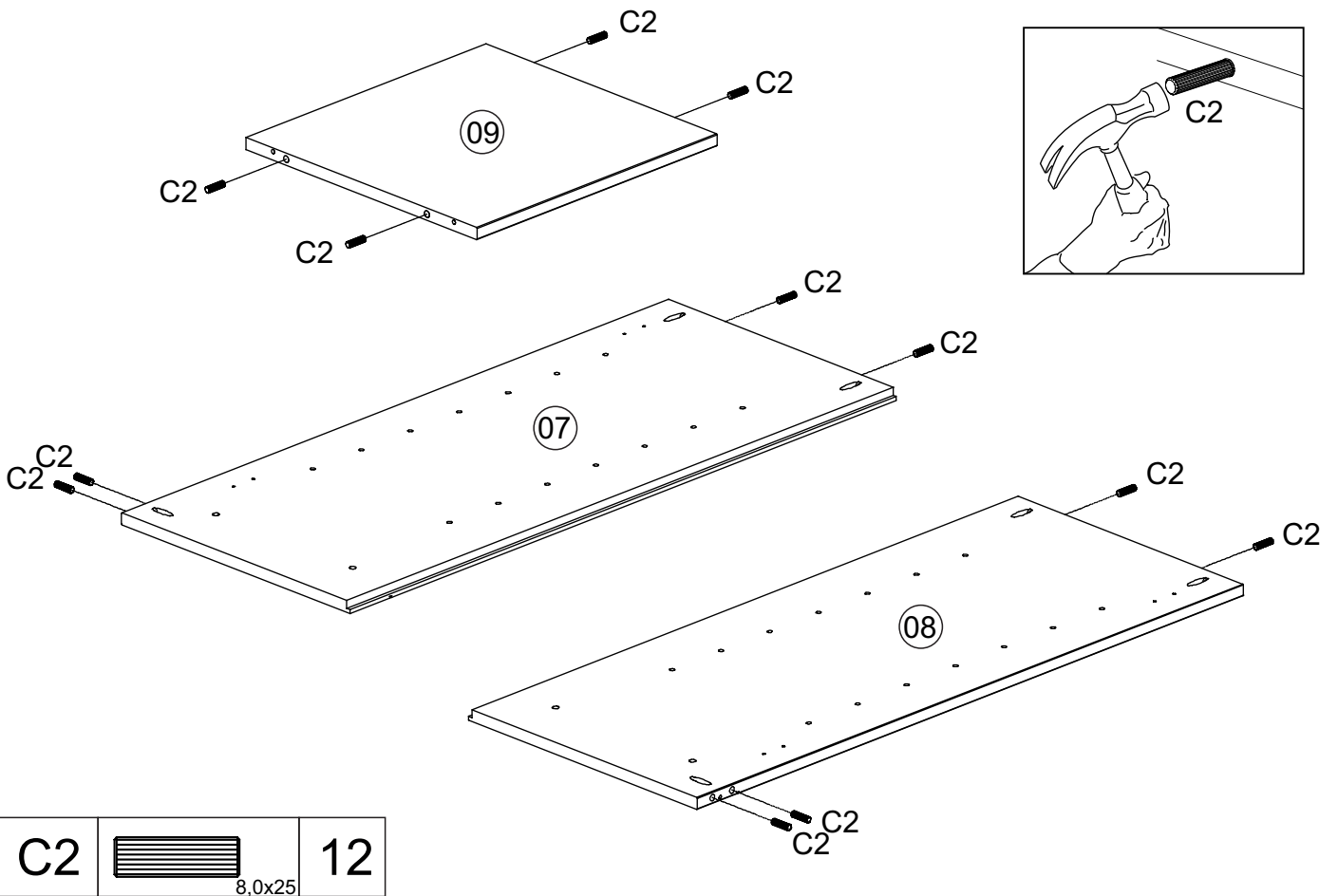
! WARNING:
CHOKING HAZARD
 Small Parts
 Adult Supervision Required
 Not for children under 3 years old

! WARNING:

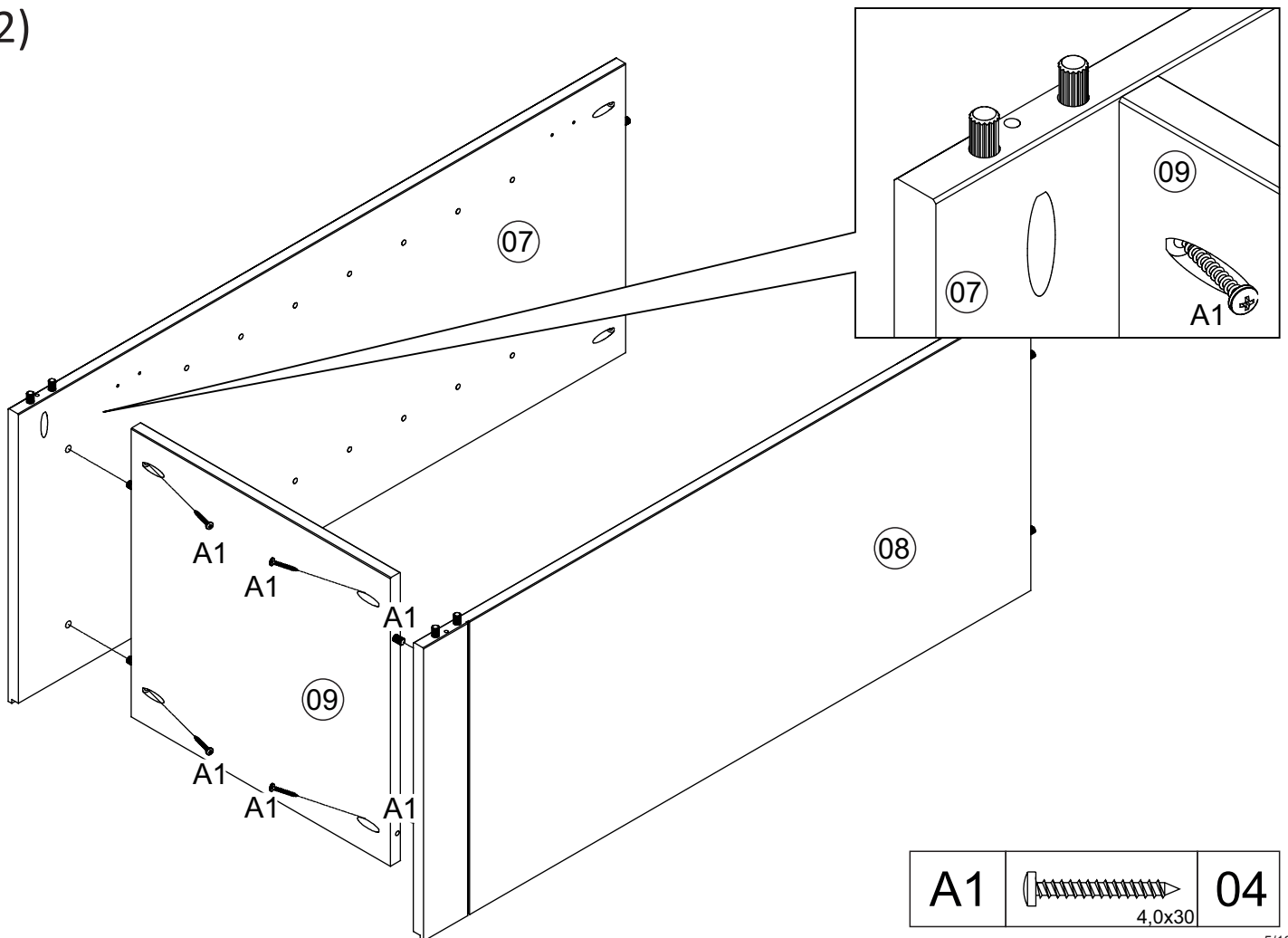
**FURNITURE TIP-OVER CAN
 RESULT IN SERIOUS INJURY OR
 DEATH**

This wardrobe includes
 tip-over restraint that
MUST BE ATTACHED TO THE WALL
 per the assembly instructions.

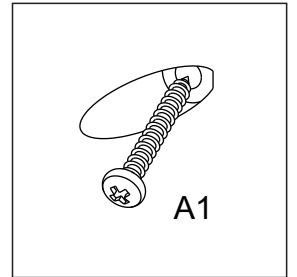
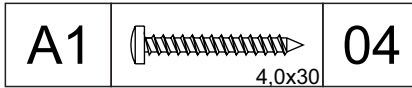
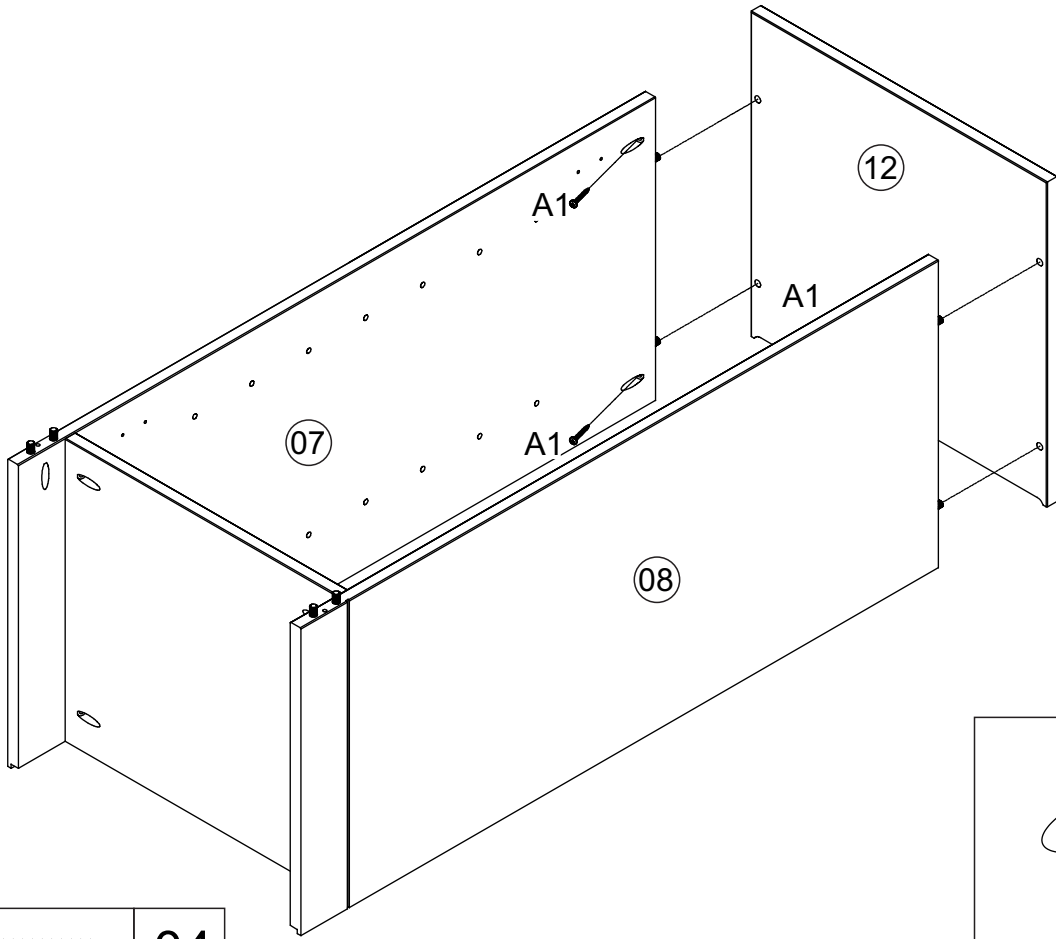
01)



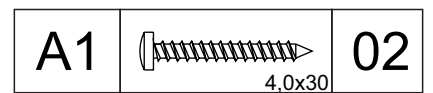
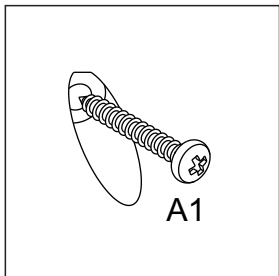
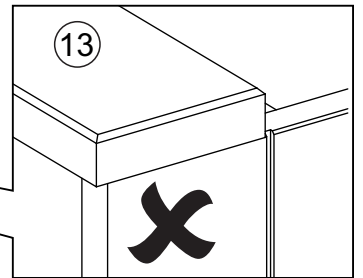
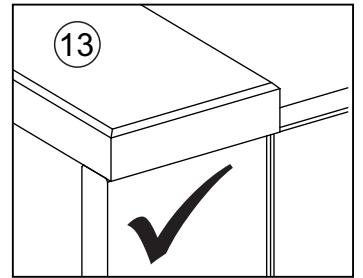
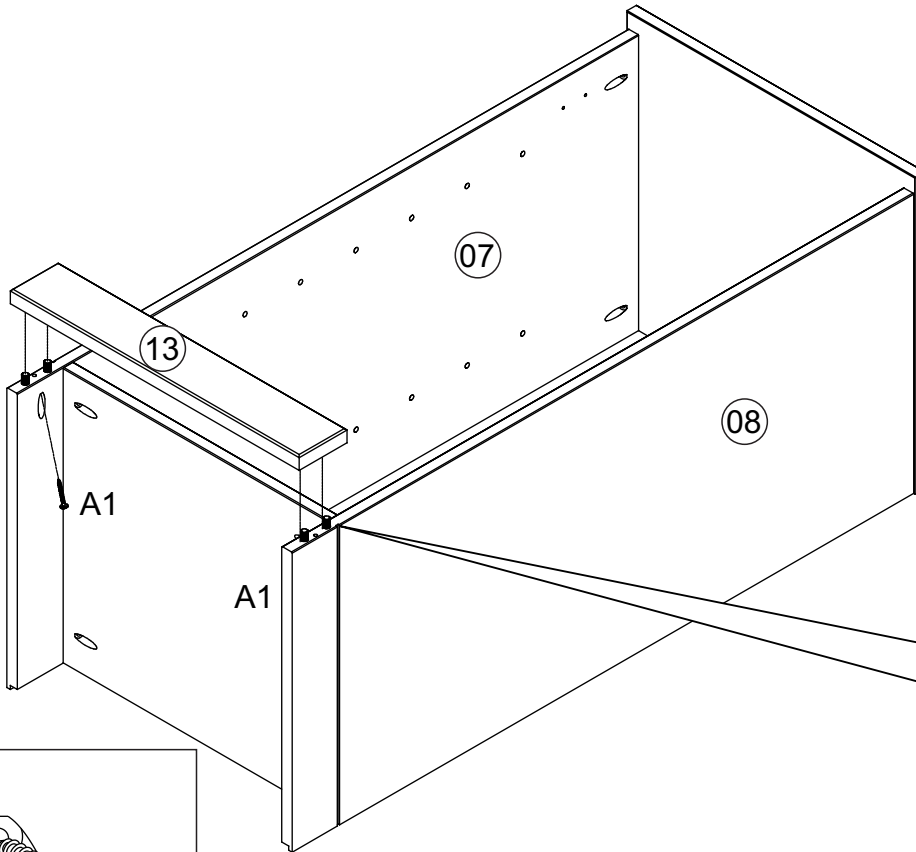
02)



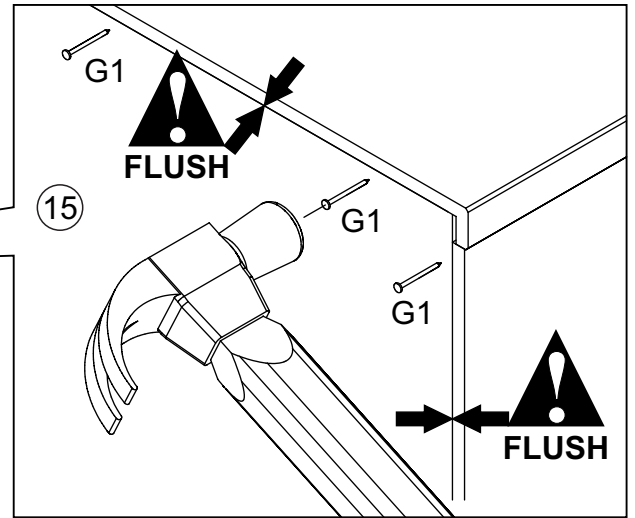
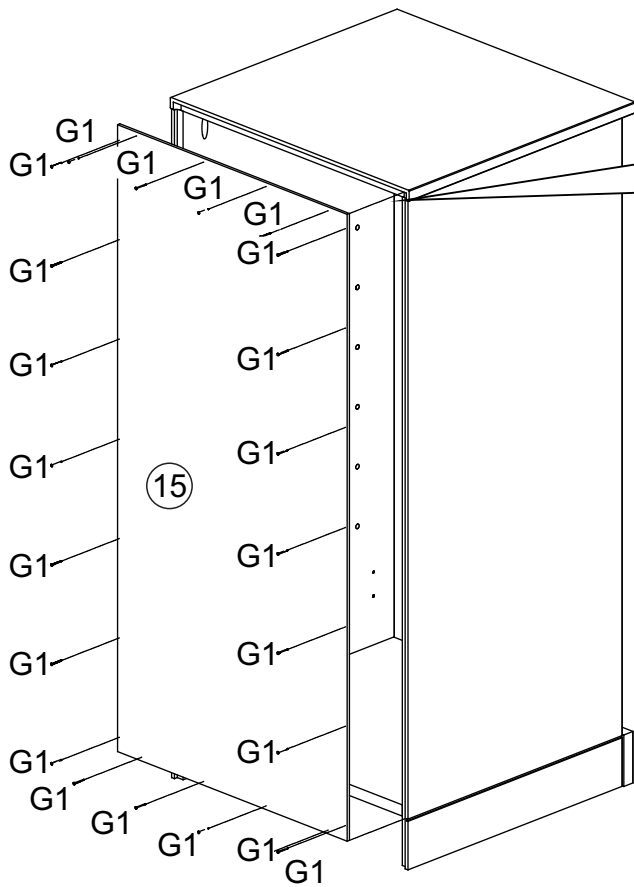
03)



04)

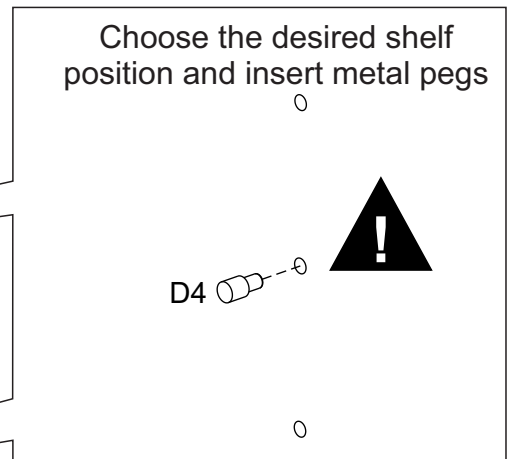
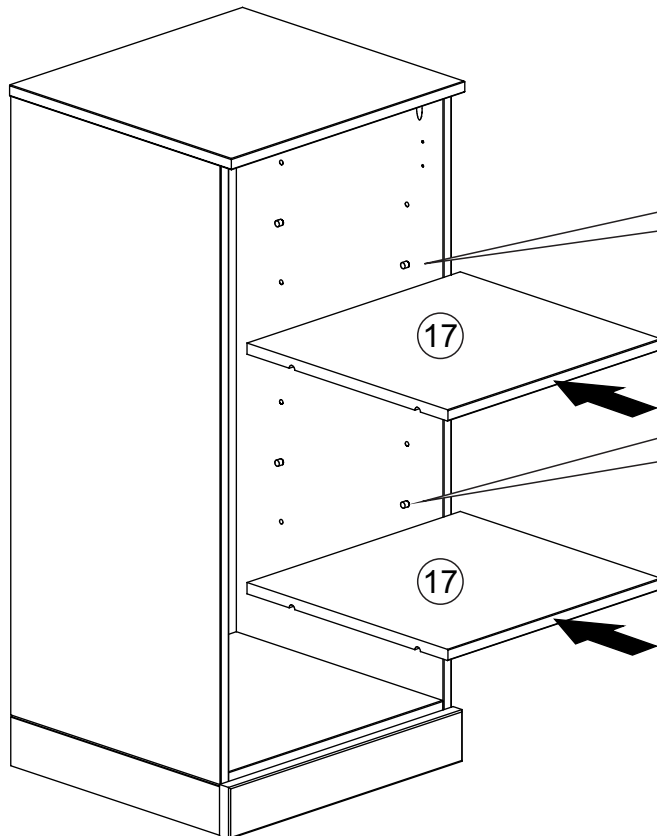



05)



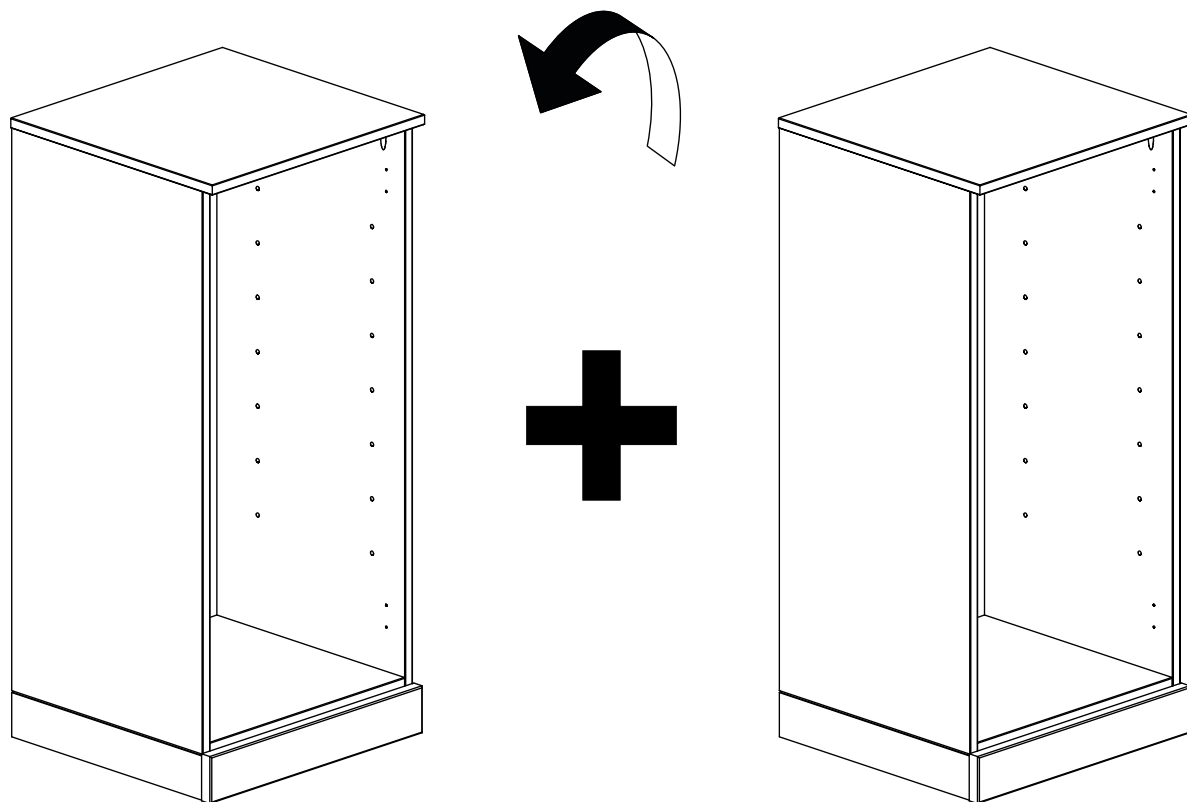
G1		22
	10x10	

06)

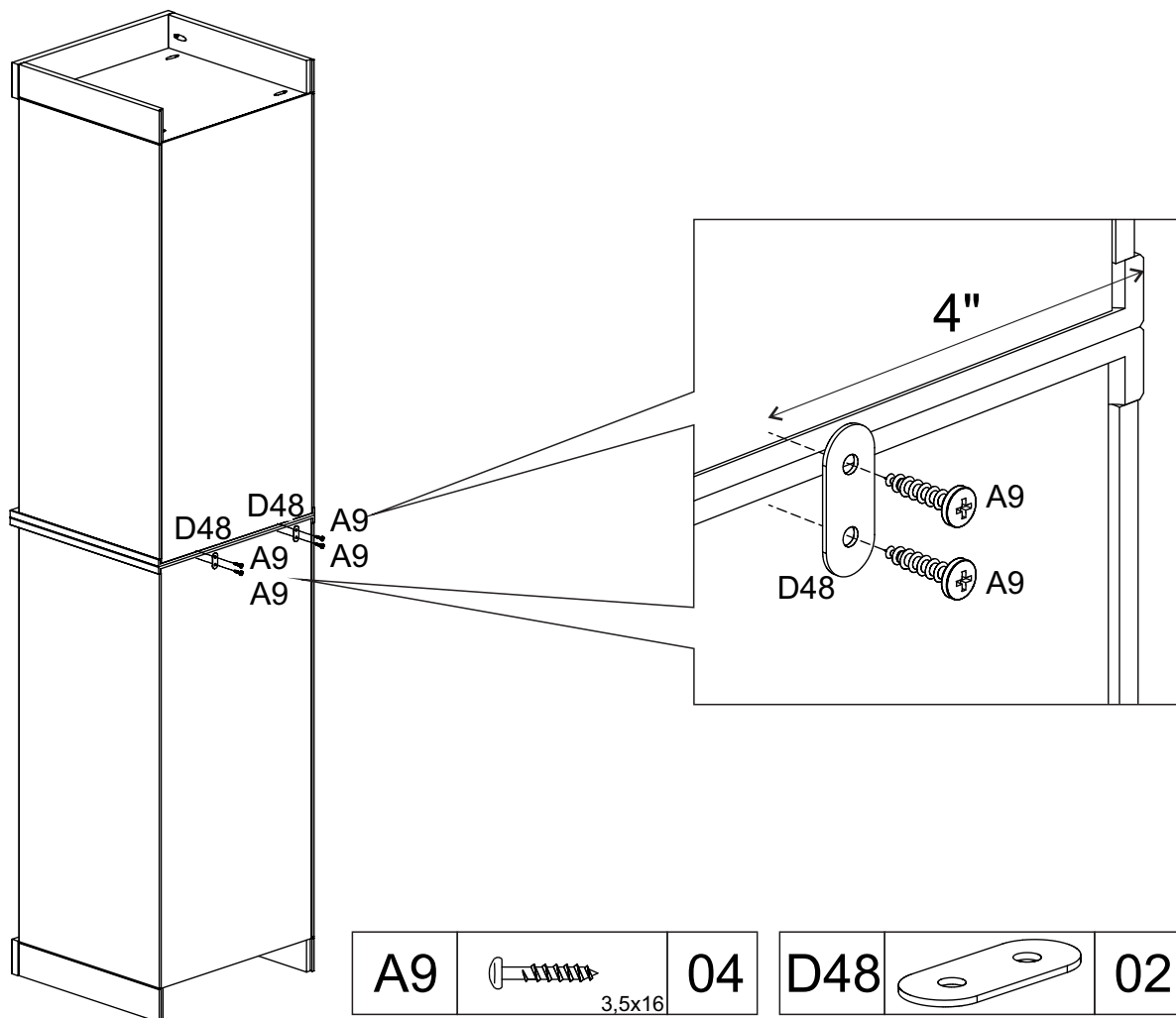


D4		08
----	---	----

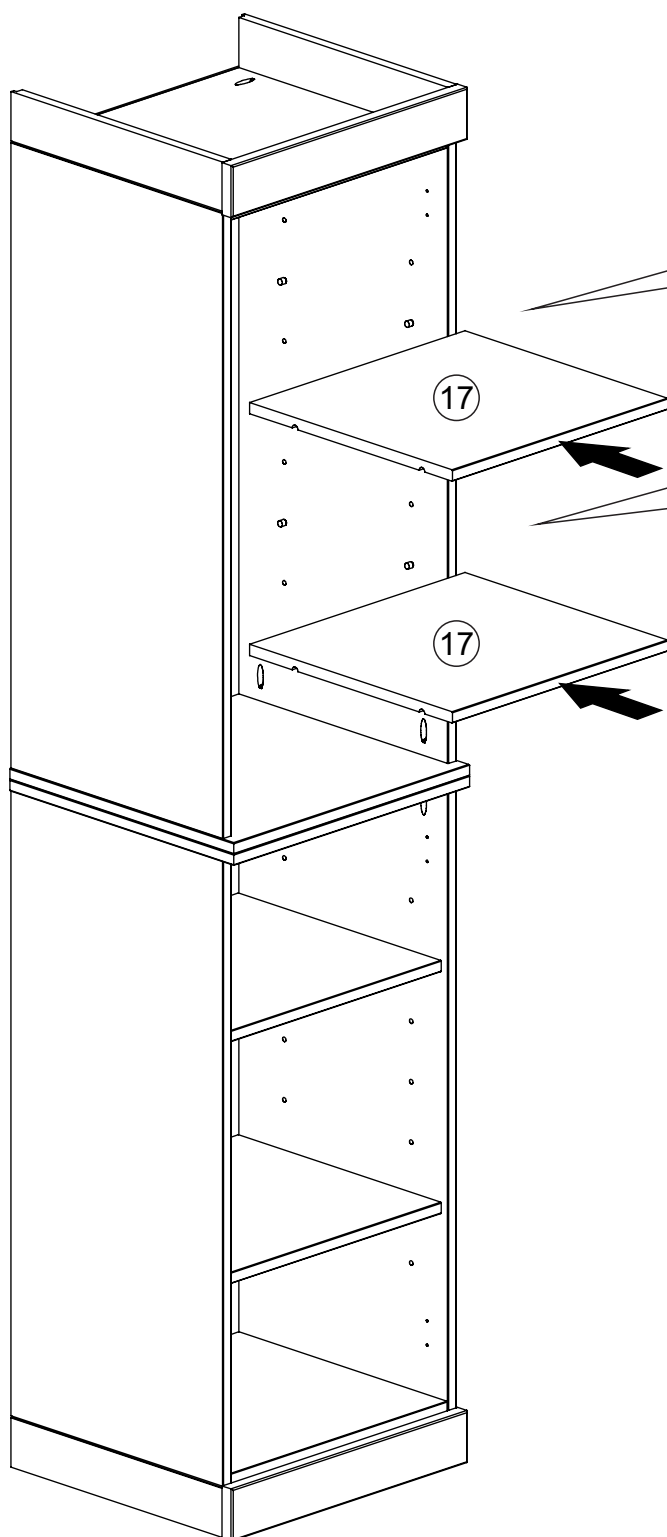
07) Connecting top and bottom cabinets (2 cabinets must be purchased)



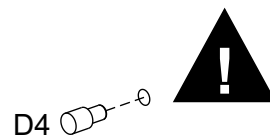
08)



09)



Choose the desired shelf position and insert metal pegs.

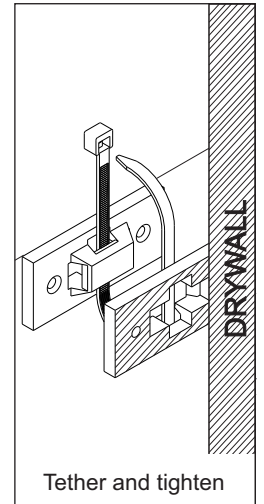
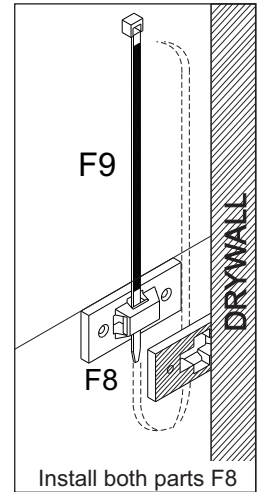
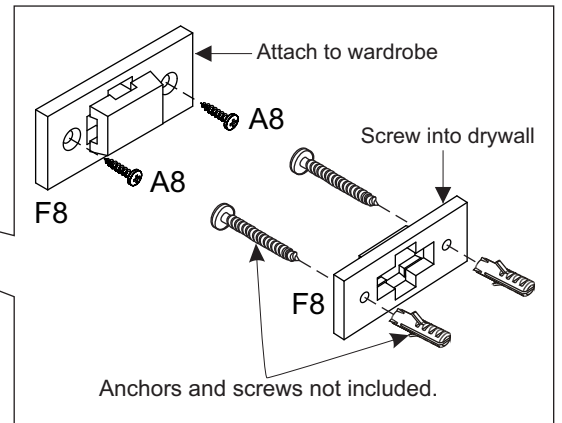
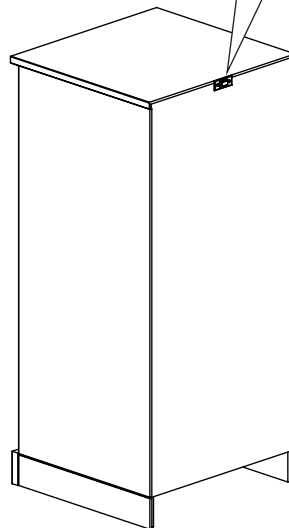
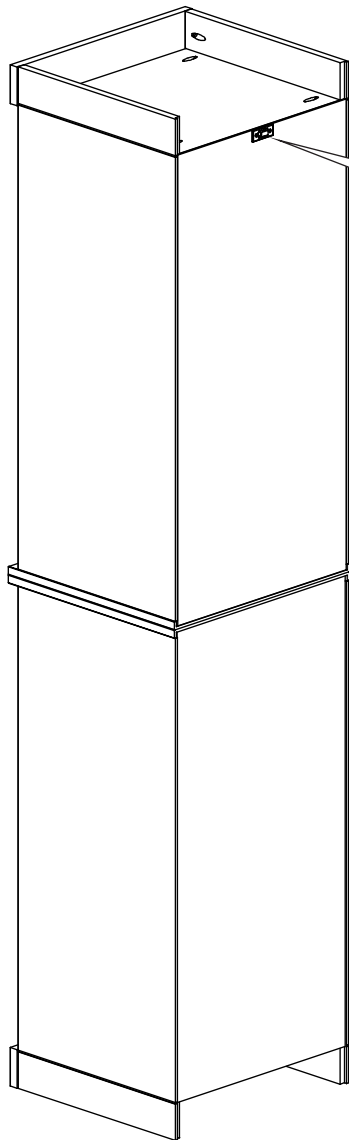
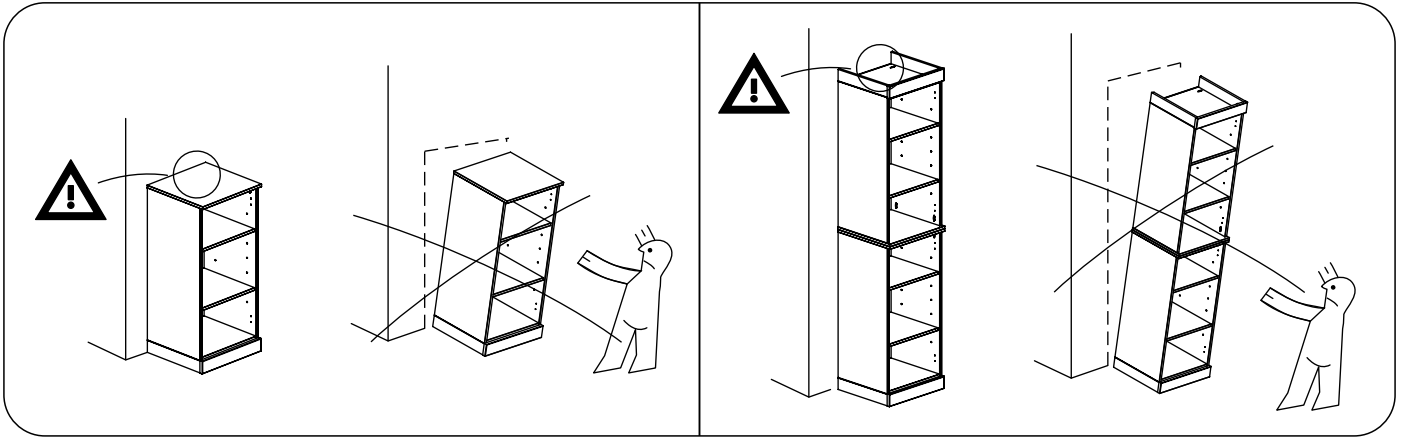


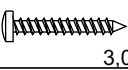
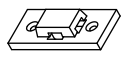

D4



08

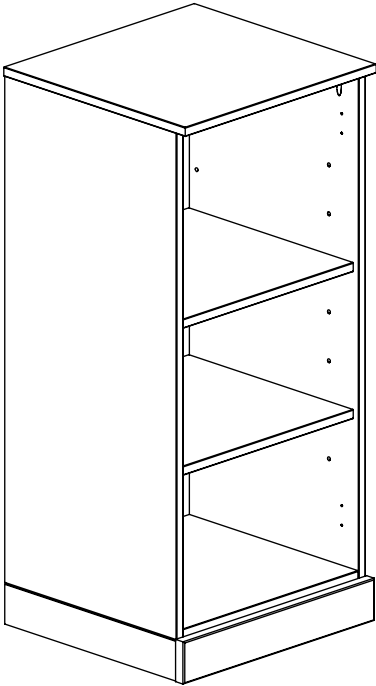
10) FURNITURE TIP-OVER RESTRAINT INSTALLATION



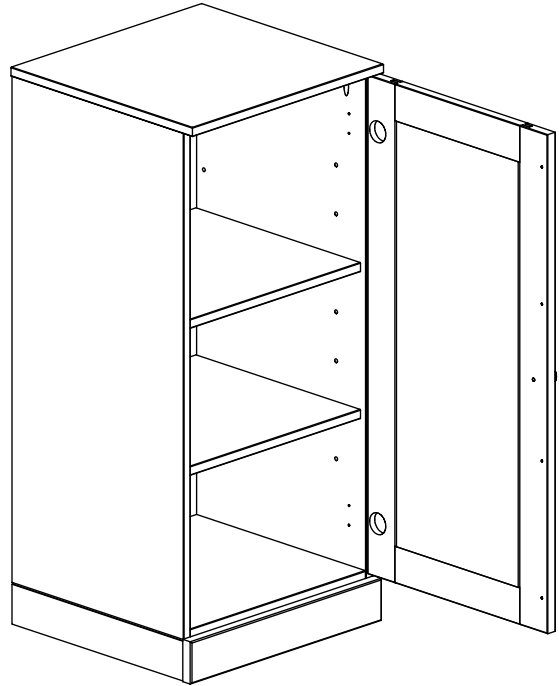
A8	 3.0x20	02
F8		02
F9		01

11) Multiple configurations are possible by purchasing additional

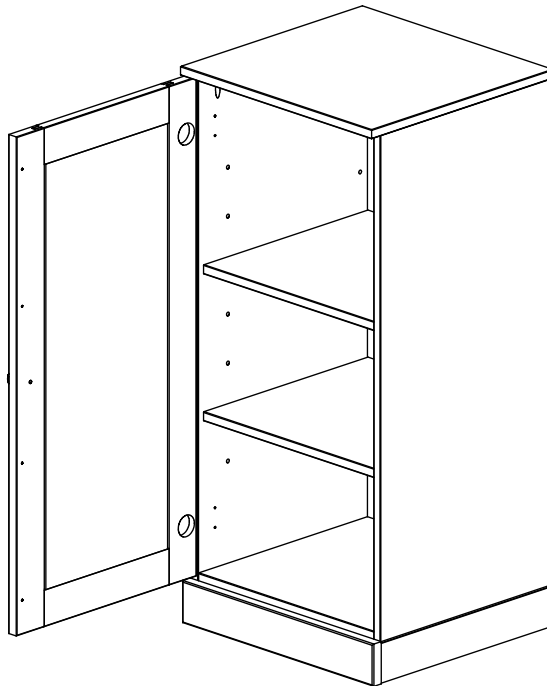
- cabinets
- raised panel doors
- clear glass doors



Cabinet

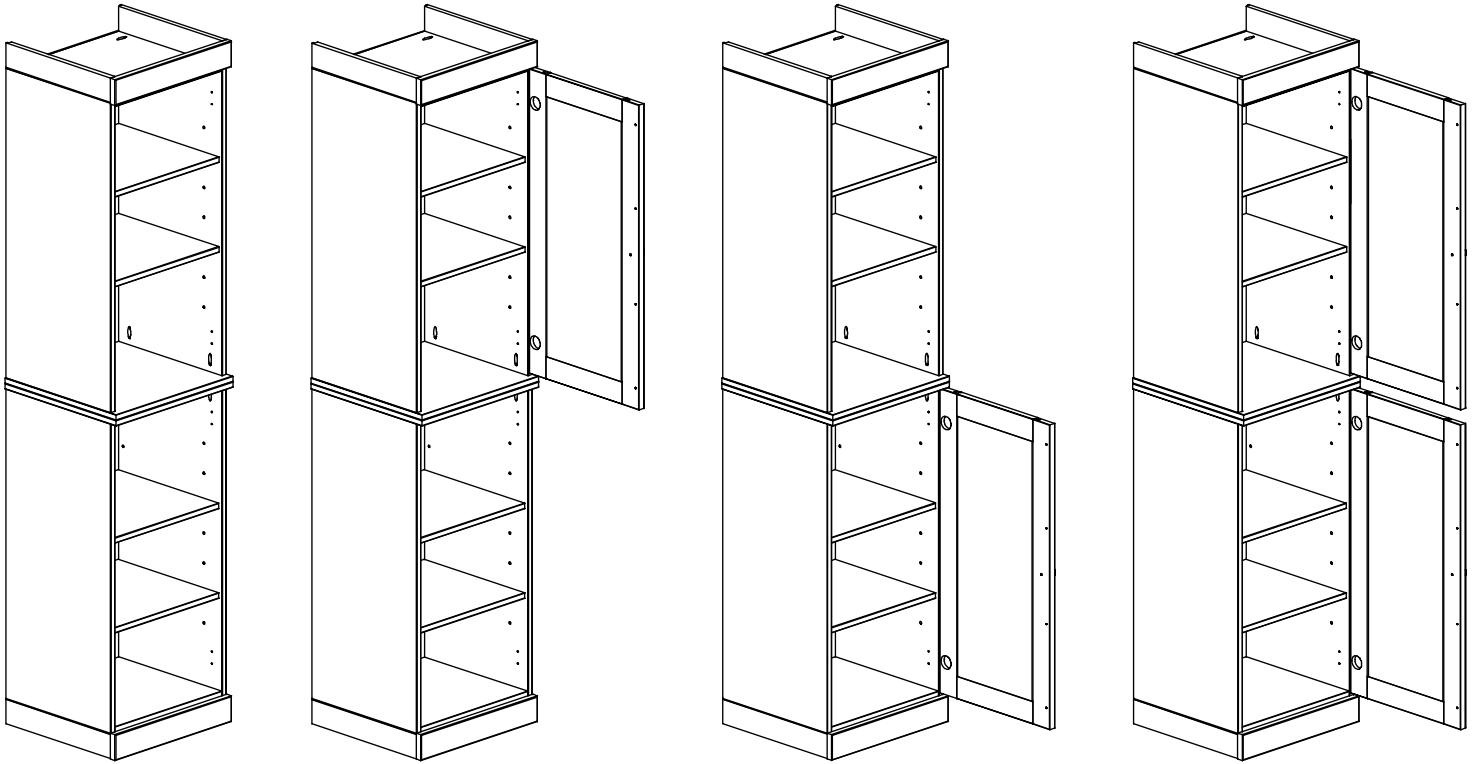


Cabinet+Door on the right



Cabinet+Door on the left

12) Additional possible configurations with the door on the right



13) Additional possible configurations with the door on the left

