

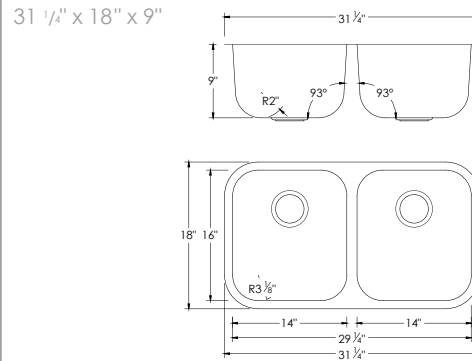


JASPEL S-200T

STAINLESS STEEL
PRESSMADE DOUBLE BOWL KITCHEN SINK



DIMENSIONS



INCLUDED ACCESSORIES



ST-05
STRAINERS



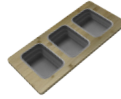
A-911
BASKET



A-916DG
DRYING MAT



A-904
CUTTING BOARD



A-910
SERVING BOARD



A-913
CUTTING BOARD



A-900DG
DRYING RACK



A-905
COLANDER



S-01S
SOAP DISPENSER

RECOMMENDED ACCESSORIES

SURFACE FINISH

BRUSHED
STAINLESS
STEEL

DRAIN HOLE SIZE



CORNER PROFILE



WIDE RADIUS

INSULATION

COATED +
RUBBER PADS

BOWL DEPTH



9"
DOUBLE
BOWL

INSTALLATION OPTIONS



DROP-IN



UNDERMOUNT

MATERIAL

Premium 18 gauge stainless steel with 18/10 chrome-nickel content. The 18% of chrome content provides durability, maximum protection against rust and a beautiful satin finish. The 10% of nickel content provides excellent strength and hardness.

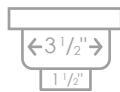


18 GAUGE
STAINLESS STEEL

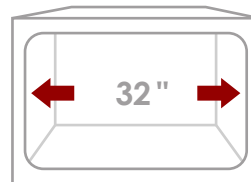
PRODUCT DIMENSIONS

Overall Dimensions	31 1/4" x 18" x 9"
Internal Dimensions	29 1/4" x 16" x 9"
Left Basin	14" x 16" x 9"
Right Basin	14" x 16" x 9"
Drain Opening Size	3 1/2"

STANDARD STRAINERS



CABINET SIZE



MINIMUM
INTERNAL SIZE

GARBAGE DISPOSAL

Stylish® sinks have standard 3 1/2" drain opening that can fit any garbage disposal unit. The sink structure is well designed to withstand any heavy garbage disposal unit.



WARRANTY

This product is covered by a limited lifetime warranty. Consult our website for complete details.

PRODUCT CARE

Rinse and dry your sink with a clean soft cloth, working with, not a cross, the grain. We recommend the use of a mild solution of water and vinegar to remove any mineral deposits that may have built up on your sink.

Use mild non-abrasive liquid cream cleaners that do not contain chlorine, sodium hypochlorite or hydrochloric acid to help maintain the original appearance of your sink. Ensure that you thoroughly rinse your sink and wipe it dry. We recommend the use of a stainless steel grid that fits inside the bottom of the sink bowl and protect the sink from scratches.



STANDARDS COMPLIANCE

cUPC certified
ISO 9001 certified

Stylish International Inc.

www.stylishkb.com

stylish.international.inc

care@stylishkb.com

+1-855-789-5352