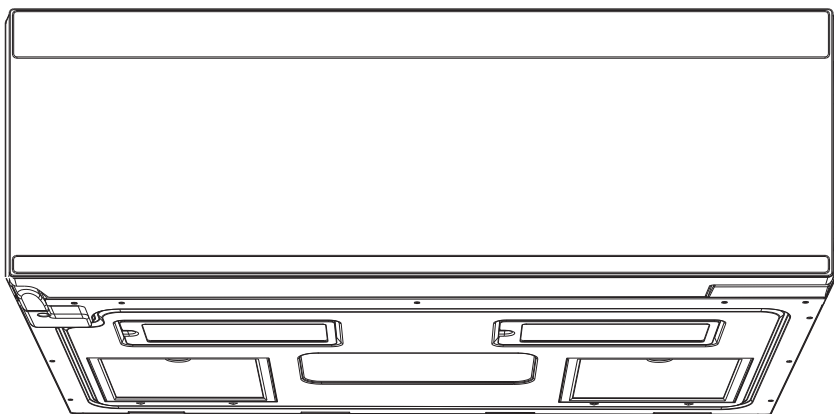




MICROWAVE OVEN

COS-3012ORLP1SS



OVER THE RANGE LOW PROFILE MICROWAVE OVEN

USER MANUAL

IMPORTANT: READ AND SAVE THESE INSTRUCTIONS.
FOR RESIDENTIAL USE ONLY.

INSTALLER: PLEASE LEAVE THESE INSTRUCTIONS WITH THIS UNIT FOR
THE OWNER.

OWNER: PLEASE RETAIN THESE INSTRUCTIONS FOR FUTURE
REFERENCE.

THANK YOU FOR YOUR PURCHASE

Thank you for your purchase. We know that you have many brands and products to choose from and we are honored to know that you have decided to take one of our products into your home and hope that you enjoy it.

COSMO Appliances are designed according to the strictest safety and performance standard for the North American market. We follow the most advanced manufacturing philosophy. Each appliance leaves the factory after thorough quality inspection and testing. Our distributors and our service partners are ready to answer any questions you may have regarding how to install, use and care for your products. We hope that this manual will help you learn to use the product in the safest and most effective manner.

Before using this product, please read through this manual carefully. Keep this user manual in a safe place for future reference. Please ensure that other persons using this product are familiar with these instructions as well.

If you have any questions or concerns, please contact the dealer from whom you purchased the product, or contact our Customer Support at:

1-888-784-3108

Reach us online at:

www.cosmoappliances.com

TABLE OF CONTENTS

MICROWAVE OVEN SAFETY	4
Important Safety Instructions	5
PRODUCT OVERVIEW	9
Control Panel	10
Display.....	11
FEATURES	12
Clock.....	12
Timer.....	12
Settings (User Preferences).....	13
Turntable	14
USING THE MICROWAVE OVEN	14
Control Lock.....	14
Cookware and Dinnerware	15
Manual Cook (Cook Time).....	16
Express Cook	17
Popcorn.....	17
Potato.....	18
Sensor Reheat.....	18
Sensor Cook.....	19
Snack Menus.....	19
Melt/Soften	20
Auto Cook.....	20
Auto Cook Recipes	21
Time Defrost.....	26
Weight Defrost.....	27
Vent Fan.....	28
Cooktop Light.....	28

MICROWAVE OVEN CARE 29

- General Cleaning 29
- Installing/Replacing Filters and Lights 30
 - Grease Filters..... 30
 - Charcoal Filters 31
 - Cooktop Lights 32
 - Cavity Light 33

TROUBLESHOOTING..... 34

LIMITED WARRANTY 36

MICROWAVE OVEN SAFETY

READ ALL INSTRUCTIONS BEFORE USING THE APPLIANCE

Your safety and the safety of others are very important.

We have provided many important safety messages in this manual and on your appliance. Always read and obey all safety messages.



This is the safety alert symbol.

This symbol alerts you to potential hazards that can kill or hurt you and others.

All safety messages will follow the safety alert symbol and either the word "WARNING" or "CAUTION." These words mean:



You can be killed or seriously injured if you don't follow instructions.



A potentially hazardous situation which, if not avoided, could result in minor or moderate injury.

All safety messages will tell you what the potential hazard is, tell you how to reduce the chance of injury, and tell you what can happen if the instructions are not followed.

California Proposition 65 Warning

 **WARNING:**

Cancer and Reproductive Harm - www.P65Warnings.ca.gov.

This device complies with Part 18 of the FCC Rules.

IMPORTANT SAFETY INSTRUCTIONS

WARNING: To reduce the risk of burns, electric shock, fire, injury to persons, or exposure to excessive microwave energy:

- Read all instructions before using the microwave oven.
- Read and follow the specific "PRECAUTIONS TO AVOID POSSIBLE EXPOSURE TO EXCESSIVE MICROWAVE ENERGY" found in this section.
- The microwave oven must be grounded. Connect only to properly grounded outlet. See "GROUNDING INSTRUCTIONS" found in this section and in the provided Installation Instructions.
- Install or locate the microwave oven only in accordance with the provided Installation Instructions.
- Some products such as whole eggs in the shell and sealed containers – for example, closed glass jars – are able to explode and should not be heated in the microwave oven.
- Use the microwave oven only for its intended use as described in the manual. Do not use corrosive chemicals or vapors in the microwave oven. This type of oven is specifically designed to heat, cook, or dry food. It is not designed for industrial or laboratory use.
- As with any appliance, close supervision is necessary when used by children.
- Do not operate the microwave oven if it has a damaged cord or plug, if it is not working properly, or if it has been damaged or dropped.
- The microwave oven should be serviced only by qualified service personnel. Call an authorized service company for examination, repair, or adjustment.
- Do not cover or block any openings on the microwave oven.
- Do not store this microwave oven outdoors. Do not use the microwave oven near water - for example, near a kitchen sink, in a wet basement, near a swimming pool, or similar locations.
- Do not immerse cord or plug in water.
- Keep cord away from heated surfaces.
- Do not let cord hang over edge of table or counter.
- See door surface cleaning instructions in the "Microwave Oven Care" section.

READ AND SAVE THESE INSTRUCTIONS

IMPORTANT SAFETY INSTRUCTIONS

- To reduce the risk of fire in the oven cavity:
 - Do not overcook food. Carefully attend the microwave oven when paper, plastic, or other combustible materials are placed inside the oven to facilitate cooking.
 - Remove wire twist-ties from paper or plastic bags before placing bags in oven.
 - If materials inside the oven ignite, keep oven door closed, turn oven off, and disconnect the power cord, or shut off power at the fuse or circuit breaker panel.
 - Do not use the cavity for storage purposes. Do not leave paper products, cooking utensils, or food in the cavity when not in use.
- Do not mount over a sink.
- Do not store anything directly on top of the microwave oven when the microwave oven is in operation.
- Clean Ventilating Hoods Frequently - Grease should not be allowed to accumulate on hood or filter.
- When flambéing foods under the hood, turn the fan on.
- Suitable for use above both gas and electric cooking equipment.
- Liquids, such as water, coffee, or tea are able to be overheated beyond the boiling point without appearing to be boiling. Visible bubbling or boiling when the container is removed from the microwave oven is not always present. **THIS COULD RESULT IN VERY HOT LIQUIDS SUDDENLY BOILING OVER WHEN THE CONTAINER IS DISTURBED OR A SPOON OR OTHER UTENSIL IS INSERTED INTO THE LIQUID.**

To reduce the risk of injury to persons:

 - Do not overheat the liquid.
 - Stir the liquid both before and halfway through heating it.
 - Do not use straight-sided containers with narrow necks.
 - After heating, allow the container to stand in the microwave oven for a short time before removing the container.
 - Use extreme care when inserting a spoon or other utensil into the container.
- Intended to be used above ranges with maximum width of 36" (91.44 cm).
- Use care when cleaning the vent-hood filter. Corrosive cleaning agents, such as lye-based oven cleaners, may damage the filter.

READ AND SAVE THESE INSTRUCTIONS

PRECAUTIONS TO AVOID POSSIBLE EXPOSURE TO EXCESSIVE MICROWAVE ENERGY

- | | |
|---|---|
| <ul style="list-style-type: none">• Do not attempt to operate this oven with the door open since open-door operation can result in harmful exposure to microwave energy. It is important not to defeat or tamper with the safety interlocks.• Do not place any object between the oven front face and the door or allow soil or cleaner residue to accumulate on sealing surfaces. | <ul style="list-style-type: none">• Do not operate the oven if it is damaged. It is particularly important that the oven door close properly and that there is no damage to the:<ul style="list-style-type: none">(a) Door (bent),(b) Hinges and latches (broken or loosened),(c) Door seals and sealing surfaces.• The oven should not be adjusted or repaired by anyone except properly qualified service personnel. |
|---|---|

READ AND SAVE THESE INSTRUCTIONS

ELECTRICAL REQUIREMENTS

WARNING



ELECTRIC SHOCK HAZARD

- Plug into a grounded 3 prong outlet.
- Do not remove ground prong.
- Do not use an adapter.
- Do not use an extension cord.
- Failure to following these instructions can result in death, fire, or electrical shock.

Observe all governing codes and ordinances.

Required:

- A 120 V, 60 Hz, AC only, 15 or 20 A electrical supply with a fuse or circuit breaker.

Recommended:

- A time-delay fuse or time-delay circuit breaker.
- A separate circuit serving only this microwave oven.

GROUNDING INSTRUCTIONS

For all cord connected appliances:

The microwave oven must be grounded. In the event of an electrical short circuit, grounding reduces the risk of electric shock by providing an escape wire for the electric current. The microwave oven is equipped with a cord having a grounding wire with a grounding plug. The plug must be plugged into an outlet that is properly installed and grounded.

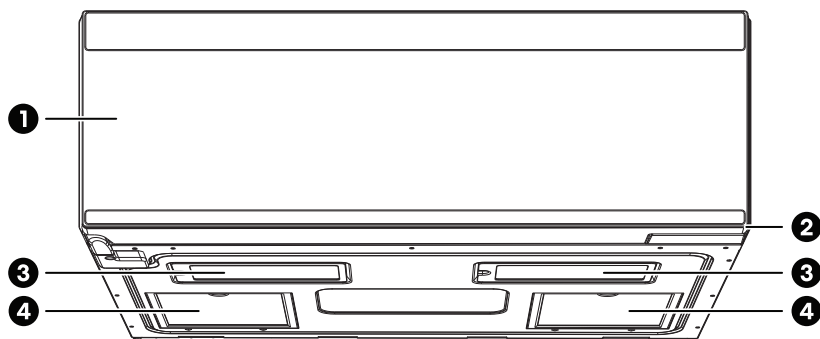
WARNING: Improper use of the grounding plug can result in a risk of electric shock. Consult a qualified electrician or serviceman if the grounding instructions are not completely understood, or if doubt exists as to whether the microwave oven is properly grounded.

Do not use an extension cord. If the power supply cord is too short, have a qualified electrician or serviceman install an outlet near the microwave oven.

READ AND SAVE THESE INSTRUCTIONS

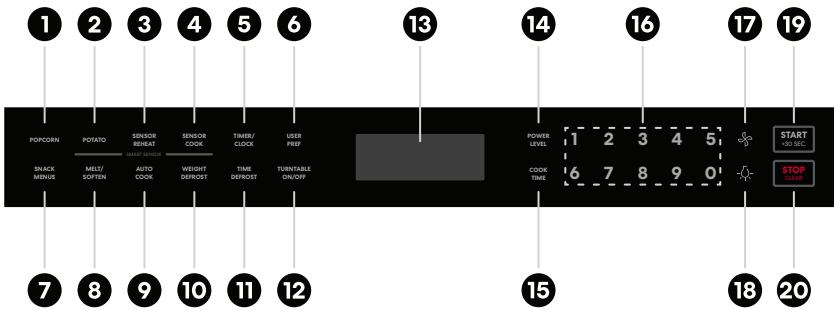
PRODUCT OVERVIEW

EXTERIOR



1. Microwave Door
2. Microwave Door Handle (Recessed)
3. Cooktop Light
4. Vent Fan

CONTROL PANEL



1. POPCORN

2. POTATO

3. SENSOR REHEAT

4. SENSOR COOK

5. TIMER/CLOCK

6. USER PREF

7. SNACK MENUS

8. MELT/SOFTEN

9. AUTO COOK

10. WEIGHT DEFROST

11. TIME DEFROST

12. TURNTABLE ON/OFF

13. DISPLAY

14. POWER LEVEL

15. COOK TIME

16. NUMBER PADS

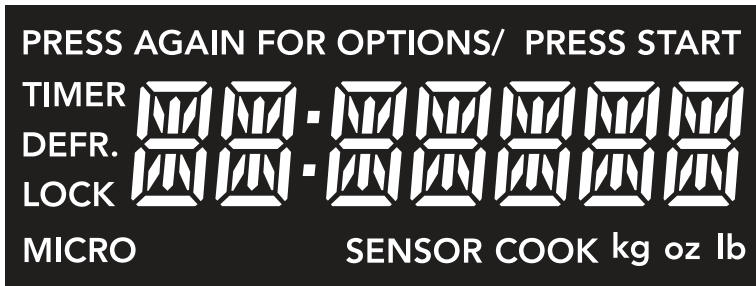
17. VENT FAN

18. COOKTOP LIGHT

19. START/+30 SEC

20. STOP/CLEAR

DISPLAY



Indicator Icon	Description
PRESS AGAIN FOR OPTIONS	Press the same button again to toggle and select more options.
PRESS START	Press START to begin cycle or accept the change/input.
TIMER	Timer is running.
DEFR.	Defrost mode is running.
LOCK	Control lock is activated.
MICRO	Microwave is running.
SENSOR COOK	Sensor mode is running.
kg oz lb	Weight unit being used.

Warning Message	Description
"Food"	<p>The door has been closed for 5 minutes or more without the microwave oven being started. This occurs to avoid unintended starting of the microwave oven.</p> <ul style="list-style-type: none"> Open and close the door, then start the cycle.
"E04"	<p>Humidity sensor failure.</p> <ul style="list-style-type: none"> Contact your appliance servicer for assistance.

FEATURES

CLOCK

The clock is a 12-hour clock. It can be disabled with the **STOP/CLEAR** keypad when the microwave oven is reconnected to the power.

Setting the Clock

1. Press **TIMER/CLOCK** twice. The default time 12:00 is shown in the display.
2. Press the numbers to enter the correct time of day. For example, to set 12:34, press the numbers 1, 2, 3, and 4.
3. Press **Start**. This accepts the time entered and starts the clock.

NOTE:

- When the microwave oven is running, pressing **TIMER/CLOCK** will recall the current clock in the display for 2 seconds.

TIMER

The timer must be set before the microwave oven is running, and cannot be stopped or cancelled while the microwave oven is running.

Setting the Timer (Up to 99 minutes and 99 seconds)

1. Press **TIMER/CLOCK** once. The "TIMER" indicator lights up in the display.
2. Press the numbers to enter the length of time. For example, to set a 30-minute timer, press the numbers 3, 0, 0, and 0.
3. Press **TIMER/CLOCK** to start the timer.
4. When the set time has run out, the alarm rings until any key is pressed.

NOTE:

- When the microwave oven is running, pressing **TIMER/CLOCK** will recall the remaining time in the display for 2 seconds.

Cancelling the Timer

1. Press **TIMER/CLOCK**. When the oven is in standby state, the display returns to the time of day.

SETTINGS (USER PREFERENCES)

The microwave oven has additional settings which can be accessed using the **USER PREF** keypad. These additional settings can only be adjusted while the microwave oven is not running or the display is showing the time of day. They will restore to default after reconnecting power or a power failure.

Settings	Touch USER PREF	Description	Default
Volume	1 time	Adjust the tone volume	Low
Weight Unit	2 times	Change weight input unit	Lb
Clock Display	3 times	Enable/Disable clock display	On
Demo Mode	4 times	Activate to practice using the control without actually turning on the magnetron.	Off

Adjusting the Volume

1. Press **USER PREF** 1 time, and wait for volume options to show in the display.
2. Press **USER PREF** to toggle and select Low, Med, High, or Off.
3. Press **START** to confirm.

Selecting the Weight Unit

1. Press **USER PREF** 2 times, and wait for weight options to show in the display.
2. Press **USER PREF** to toggle and select Lb or Kg.
3. Press **START** to confirm.

Setting the Clock Display

1. Press **USER PREF** 3 times, and wait for clock display options to show in the display.
2. Press **USER PREF** to toggle and select On or Off.
3. Press **START** to confirm.

Setting the Demo Mode

1. Press **USER PREF** 4 times, and wait for demo mode options to show in the display.
2. Press **USER PREF** to toggle and select On or Off.
3. Press **START** to confirm.

TURNTABLE

For best cooking results, do not operate the microwave oven without having the turntable in place. Turntable may be turned off for manual cooking only by pressing **TURNTABLE ON/OFF**.

USING THE MICROWAVE OVEN

CONTROL LOCK

The control panel can be locked to avoid unintended use of the oven.

NOTE:

- The control lock can only be activated while the microwave oven or the timer is idle or inactive.

To Lock Control Panel:

- Press and hold **STOP/CLEAR** for 3 seconds or until "LOCK" appears in the display.

NOTE:

- When locked, touching any keypad on the control panel (except **STOP/CLEAR**) will not work.

To Unlock Control Panel:

- Press and hold **STOP/CLEAR** for 3 seconds or until "LOCK" disappears in the display.

COOKWARE AND DINNERWARE

Microwave-Safe

- Browning dish (Follow manufacturer recommendations)
- Ceramic glass, glass
- Earthenware (Follow manufacturer recommendations)
- Melamine (Follow manufacturer recommendations)
- Paper towels, paper plates, napkins (Use non-recycled paper)
- Plastic wraps, bags, covers, dinnerware, containers (Follow manufacturer recommendations)
- Pottery and clay (Follow manufacturer recommendations)
- Silicone bakeware (Follow manufacturer recommendations)
- Wax paper

Do Not Use

- Metal cookware and bakeware
- Straw or wicker
- Gold, silver, or pewter
- Non-approved meat thermometers, skewers
- Twist ties
- Foil liners, such as sandwich wrappers
- Staples
- Objects with gold or silver trim or with metallic glaze

To Test Cookware/Dinnerware:

Place dish in microwave oven with 1 cup (250 mL) of water beside it. Program 1 minute of cook time at 100%. If dish becomes hot and the water stays cool, do not use the dish in the microwave oven.

MANUAL COOK (COOK TIME)

The microwave oven can accept cooking time up to 99 minutes and 99 seconds (99:99). Always enter the seconds even if they are both zeros.

1. Press **COOK TIME** after placing food and closing the door.
2. Press the numbers to enter the length of time.

For example, to set a 3-minute cooking, press the numbers 3, 0, and 0.

3. (Optional) Press **POWER LEVEL** once. Then press the corresponding power level number key or **POWER LEVEL** repeatedly to select the power level desired. Refer to the Power Level table below.

For example, to select 90% power, Press 9 or **POWER LEVEL** twice.

NOTE:

- The default power level is 100% (PL-HI) if **POWER LEVEL** is not pressed.

4. Press **START**.

Power Level	Touch POWER LEVEL	Shortcut Number Key	Display
100%	1 time	1 0	PL-HI
90%	2 times	9	PL-90
80%	3 times	8	PL-80
70%	4 times	7	PL-70
60%	5 times	6	PL-60
50%	6 times	5	PL-50
40%	7 times	4	PL-40
30%	8 times	3	PL-30
20%	9 times	2	PL-20
10%	10 times	1	PL-10
*0%	11 times	0	PL-0

* At 0% power level the microwave oven will not be heating but the internal fan will be operating. It can be used as a quick timer to rest the hot food just cooked with the microwave oven, or it can help reduce food odors right after cooking.

NOTE:

- When the microwave oven is running, pressing **POWER LEVEL** will display the current power level for 2 seconds.

EXPRESS COOK

Press one of the numbers from 1 to 9 once will start the microwave oven in 2 seconds at 100% power level directly for the minutes entered.

For example, to set a 6-minute cooking at 100% power level directly:

1. Press the number **6** after placing food and closing the door. The microwave oven will automatically start in 2 seconds.

NOTE:

- If "Food" is shown in the display after the number is pressed, open and close the door once and the number entered should appear in the display. The microwave oven uses a 5-minute timer from last closing of the door to help avoid running without any food inside.

POPCORN

Pop only 1 package of popcorn at a time. Cooking results may vary by brand and fat content.

Touch POPCORN	Popcorn Options
1 time	3.3 oz
2 times	3.0 oz

To Use Popcorn Program:

1. Place food and close the door.
2. Press **POPCORN** to toggle and select the best matching popcorn options.
3. Press **START**. Listen for popping to slow to 1 pop every 1 or 2 seconds, then press **STOP/CLEAR** to stop the cycle.

POTATO

Cooks 1-4 potatoes, 4-10 oz (113-283 g) each, in similar size. Pierce each potato several times with a fork. Place on paper towel, around turntable edges, at least 1" (2.5 cm) apart. Place single potato to the side of the turntable. Let stand 5 minutes after cooking.

To Use Potato Program:

1. Press **POTATO** after placing food and closing the door.
2. Press **START**.

SENSOR REHEAT

Touch SENSOR REHEAT	Sensor Reheat Options	Preset Portion Size
1 time	Beverage	Select: 1-3 cups
2 times	Soup/Sauce	1 cup
3 times	Dinner Plate	1-2 plates
4 times	Casserole/Lasagna	10.5 oz
5 times	Roll/Muffin	1-3 slices

To Use Sensor Reheat Program:

1. Place food and close the door.
2. Press **SENSOR REHEAT** to toggle and select different sensor reheat options.
3. (For **Beverage** only) Press **START** and enter the number within the range allowed to select the best matching portion size. (e.g. Enter 2 for 2 cups.)
4. Press **START**.

SENSOR COOK

Touch SENSOR COOK	Sensor Cook Options	Preset Portion Size
1 time	Bacon	Select: 1-3 slices
2 times	Frozen Dinner	10-20 oz
3 times	Rice	1-2 cups
4 times	Frozen Breakfast	8-12 oz
5 times	Fresh Veggies	1-4 cups
6 times	Frozen Veggies	1-4 cups

To Use Sensor Cook Program:

1. Place food and close the door.
2. Press **SENSOR COOK** to toggle and select different sensor cook options.
3. (For **Bacon** only) Press **START** and enter the number within the range allowed to select the best matching portion size. (e.g. Enter 2 for 2 slices.)
4. Press **START**.

SNACK MENUS

Touch SNACK MENUS	Snack Menus Options	Preset Portion Size
1 time	Hot Dogs	Select: 1-6 pieces
2 times	Meal in a Cup	2.9 oz
3 times	Frozen Kids Meal	8.8 oz

To Use Snack Menus Program:

1. Place food and close the door.
2. Press **SNACK MENUS** to toggle and select different snack menus options.
3. (For **Hot Dogs** only) Press **START** and enter the number within the range allowed to select the best matching portion size. (e.g. Enter 2 for 2 pieces.)
4. Press **START**.

MELT/SOFTEN

Touch MELT/SOFTEN	Melt/Soften Options	Preset Portion Size
1 time	Melt Butter	Select: 1 or 2 sticks
2 times	Melt Chocolate	1 = 2 oz Select: 2 = 4 oz 3 = 8 oz
3 times	Soften Ice Cream	Select: 1 = 1 Pint 2 = 1.5 Quarts
4 times	Soften Cream Cheese	Select: 1 = 3 oz 2 = 8 oz

To Use Snack Menus Program:

1. Place food and close the door.
2. Press **MELT/SOFTEN** to toggle and select different melt/soften options.
3. Press **START** and enter the number within the range allowed to select the best matching portion size. (e.g. Enter 2 for 2 sticks of butter.)
4. Press **START**.

AUTO COOK

Touch AUTO COOK	Auto Cook Options	Preset Portion Size
1 time	Scrambled Eggs	Select: 1-6 eggs
2 times	Hot Cereal	1-3 servings
3 times	Frozen Pizza	1-3 slices (4 oz each)
4 times	Fudge Brownies	See Recipe
5 times	Garlic Shrimp	See Recipe
6 times	Stuffed Mushrooms	See Recipe
7 times	Asiago Red Potatoes	See Recipe
8 times	Roasted Vegetable Medley	See Recipe
9 times	Lemon Shrimp Risotto	See Recipe

To Use Auto Cook Program:

1. Place food and close the door.
2. Press **AUTO COOK** to toggle and select different auto cook options.
3. (For **Scrambled Eggs** only) Press **START** and enter the number within the range allowed to select the best matching portion size. (e.g. Enter 2 for 2 eggs.)
4. Press **START**.

AUTO COOK RECIPES

Fudge Brownies	
Ingredients	
<ul style="list-style-type: none">• 3/4 cups butter• 3oz unsweetened chocolate• 1 1/4 cups sugar• 1 teaspoon vanilla extract• 2 large eggs• 1 cup all-purpose flour	<ul style="list-style-type: none">• 1 1/4 cups chopped walnuts (5oz)• 1/2 teaspoon baking powder• 1/2 teaspoon salt• 1/2 cup semisweet chocolate chips
Method	
<ol style="list-style-type: none">1. Add butter and chocolate in a microwave-safe bowl, and place bowl in the microwave oven.2. Press AUTO COOK repeatedly to select Fudge Brownies.3. Press START to microwave at 100% power for 1 minute.4. Stir until mixture is smooth.5. Add sugar, vanilla, eggs, flour, walnuts, baking powder, salt, and mix well.6. Pour mixture into a microwave-safe pan. Sprinkle and/or fold in chocolate chips, and place pan in the microwave oven.7. Press START to microwave at 100% power for 5 minutes.8. Remove pan from the microwave oven and let it cool before cutting and serving the brownies.	

Garlic Shrimp

Ingredients

- 1/4 cup butter
- 6 garlic cloves (crushed/minced)
- 2 tablespoons fresh chives (chopped)
- 2 tablespoons lemon juice
- 1 tablespoon chili pepper paste
- Salt to taste
- 1 pound large shrimp (raw, peeled, and deveined)

Method

1. Add butter in a microwave-safe casserole dish, and place dish in the microwave oven.
2. Press **AUTO COOK** repeatedly to select Garlic Shrimp.
3. Press **START** to microwave at 100% power for 1 minute.
4. Add garlic in the dish, and place dish in the microwave oven.
5. Press **START** to microwave at 100% power for 1 minute.
6. Add chives, lemon juice, chili pepper paste, salt, shrimp, and stir. Place covered dish in the microwave oven.
7. Press **START** to microwave at 100% power for 4 minutes.
8. (Optional) When the microwave oven beeps once half way through the 4-minute cooking session, open the door and stir food, then close the door to resume the cooking session.

Stuffed Mushrooms

Ingredients

- 1 pound whole baby bella mushrooms
- 2 tablespoons butter (melted)
- 1 bunch green onion (chopped)
- 1/4 cup shredded Parmesan cheese
- 2 tablespoons bread crumbs
- 1 teaspoon lemon juice
- 1/4 teaspoon garlic pepper
- Crushed red pepper to taste

Method

1. Remove and set aside mushroom stems.
2. Finely chop the mushroom stems, and combine with butter and green onion in a microwave safe bowl. Place bowl in the microwave oven.
3. Press **AUTO COOK** repeatedly to select Stuffed Mushrooms.
4. Press **START** to microwave at 100% power for 2 minutes.
5. Add the rest of the ingredients in the bowl and mix well.
6. Arrange mushroom caps on a microwave-safe plate.
7. Stuff the mixture into the mushroom caps, and place plate in the microwave oven.
8. Press **START** to microwave at 100% power for 4 minutes.

Asiago Red Potatoes

Ingredients

- 1 1/4 pounds red potatoes (peeled and thinly sliced)
- 2 tablespoons all-purpose flour
- 1/2 teaspoon salt
- 1 1/4 cups milk
- 1 tablespoon butter (melted)
- 5oz shredded Asiago cheese

Method

1. Add potatoes, flour, and salt in a microwave-safe casserole dish.
2. Add milk, butter, and stir well. Place covered dish in the microwave oven.
3. Press **AUTO COOK** repeatedly to select Asiago Red Potatoes.
4. Press **START** to microwave at 80% power for 13 minutes.
5. Sprinkle cheese, and place covered dish in the microwave oven.
6. Press **START** to microwave at 80% power for 2 minutes.

Roasted Vegetable Medley

Ingredients

- 1 cup baby carrots
- 1 cup yellow squash (sliced)
- 1 cup zucchini (sliced)
- 1/2 cup red bell pepper (sliced)
- 1/2 cup onion (thinly sliced)
- 1 tablespoon olive oil
- Salt, garlic, and herb seasoning to taste

Method

1. Add carrots, squash, zucchini, red bell pepper, and onion in a microwave-safe casserole dish.
2. Add olive oil, salt, garlic, herb seasonings, and stir. Place covered dish in the microwave oven.
3. Press **AUTO COOK** repeatedly to select Roasted Vegetable Medley.
4. Press **START** to microwave at 100% power for 8 minutes.

Lemon Shrimp Risotto

Ingredients

- 2 tablespoons butter
- 2 teaspoons olive oil
- 1 onion (chopped)
- 1 medium shallot (minced)
- 2 lemons
- 2 cans chicken broth (14.5oz each)
- 1/2 cup dry white wine
- 2 cups Arborio rice (Italian short-grain rice) or medium-grain rice
- 1 pound medium shrimp (shelled and deveined)
- 1 cup frozen peas (5oz, thawed)
- 3/4 teaspoons salt
- 1/4 teaspoon ground black pepper

Method

1. Add butter, olive oil, onion, and shallot in a microwave-safe casserole dish. Place dish in the microwave oven.
2. Press **AUTO COOK** repeatedly to select Lemon Shrimp Risotto.
3. Press **START** to microwave at 100% power for 2 minutes.
4. Extract grated lemon peel and lemon juice from the lemons. Add grated lemon peel, lemon juice, chicken broth, and white wine in another microwave-safe casserole dish. Place covered dish in the microwave oven.
5. Press **START** to microwave at 100% power for 8 minutes.
6. Add rice in the dish with onion, and stir evenly. Add hot chicken broth, and stir evenly. Place covered dish in the microwave oven.
7. Press **START** to microwave at 50% power for 13 minutes.
8. Add shrimp, peas, salt, pepper, and stir. Place covered dish in the microwave oven.
9. Press **START** to microwave at 50% power for 5 minutes.

TIME DEFROST

Uses reduced power to defrost food without cooking it, and allows thawing frozen food quicker than in the fridge.

To Use Time Defrost Program:

1. Press **TIME DEFROST** after placing food and closing the door.
2. Press the numbers to enter the length of defrost time.
3. Press **START**.
4. The microwave oven will signal as a reminder to turn over or stir the food midway through the defrost cycle. After turning over or stirring the food, close the door and press **START** again.

Time Defrost may be added when setting a Manual Cook (Cook Time).

For example, to set a time defrost before a manual cook:

1. Press **COOK TIME** after placing food and closing the door.
2. Press the numbers to enter the length of time.
For example, to set a 3-minute cooking, press the numbers 3, 0, and 0.
3. (Optional) Press **POWER LEVEL** once. Then press the corresponding power level number key or **POWER LEVEL** repeatedly to select the power level desired. Refer to the Power Level table in Manual Cook section.

For example, to select 90% power, Press 9 or **POWER LEVEL** twice.

NOTE:

- The default power level is 100% (PL-HI) if **POWER LEVEL** is not pressed.

4. Press **TIME DEFROST**.
5. Press the numbers to enter the length of defrost time.
6. Press **START**.
7. The microwave oven will signal as a reminder to turn over or stir the food midway through the defrost cycle. After turning over or stirring the food, close the door and press **START** again.
8. When the defrost cycle is completed, the microwave oven will start the set manual cook automatically.

WEIGHT DEFROST

Automatically sets the defrosting times and power levels to give even defrosting results for meats, poultry and fish up to 6 pounds in weight.

To Use Weight Defrost Program:

1. Press **WEIGHT DEFROST** after placing food and closing the door.
2. Press the numbers to enter the food weight in tenths of a pound.
For examples:
 - To enter 0.5 pounds, press the numbers 0 and 5.
 - To enter 3.0 pounds, press the numbers 3 and 0.
3. Press **START**.
4. The oven will signal as a reminder to turn over or stir the food midway through the defrost cycle. After turning over or stirring the food, close the door and press **START** again.

Weight Defrost may be added when setting a Manual Cook (Cook Time).

For example, to set a weight defrost before a manual cook:


1. Press **COOK TIME** after placing food and closing the door.
2. Press the numbers to enter the length of time.
For example, to set a 3-minute cooking, press the numbers 3, 0, and 0.
3. (Optional) Press **POWER LEVEL** once. Then press the corresponding power level number key or **POWER LEVEL** repeatedly to select the power level desired. Refer to the Power Level table in Manual Cook section.
For example, to select 90% power, Press 9 or **POWER LEVEL** twice.

NOTE:

- The default power level is 100% (PL-HI) if **POWER LEVEL** is not pressed.

4. Press **WEIGHT DEFROST**.
5. Press the numbers to enter the food weight in tenths of a pound.
6. Press **START**.
7. The microwave oven will signal as a reminder to turn over or stir the food midway through the defrost cycle. After turning over or stirring the food, close the door and press **START** again.
8. When the defrost cycle is completed, the microwave oven will start the set manual cook automatically.

VENT FAN

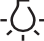
Press  **Vent Fan** keypad once for High fan setting. You may press this keypad again to select Low fan setting.

This microwave oven hood has 2 available speeds HIGH → LOW → OFF.

NOTE:

- The vent fans may automatically come on at Low fan setting when the temperature of the built-in temperature sensor near the fans is over 158°F (70°C).
- If the vent fans are automatically turned on, they will automatically turn off when the temperature drops below 104°F (40°C).
- With the vent fans automatically turned on at Low fan setting, pressing **Vent Fan** keypad can change the fan setting to High and the vent fans will not automatically turn off. After the temperature of the built-in temperature sensor drops below 104°F (40°C), the vent fans can be manually turned off.

COOKTOP LIGHT

Pressing  **Cooktop Light** keypad adjusts the cooktop light setting among HIGH → LOW → OFF.

MICROWAVE OVEN CARE

GENERAL CLEANING

IMPORTANT: Before cleaning, make sure all controls are OFF and the microwave oven is cool. Always follow label instructions on cleaning products.

To avoid damage to the microwave oven caused by arcing due to soil buildup, keep cavity, microwave inlet cover, cooking rack supports, and area where the door touches the frame clean.

Clean with mild soap, water, and a soft cloth or sponge or as indicated below.

- Grease filter: mild soap and water or dishwasher
- Door and exterior: mild soap and water, or glass cleaner applied to paper towel
- Control panel: sponge or soft cloth and water
- Stainless steel (on some models): mild soap and water, then rinse with clean water and dry with soft cloth, or use stainless steel cleaner
- Turntable: mild soap and water or dishwasher

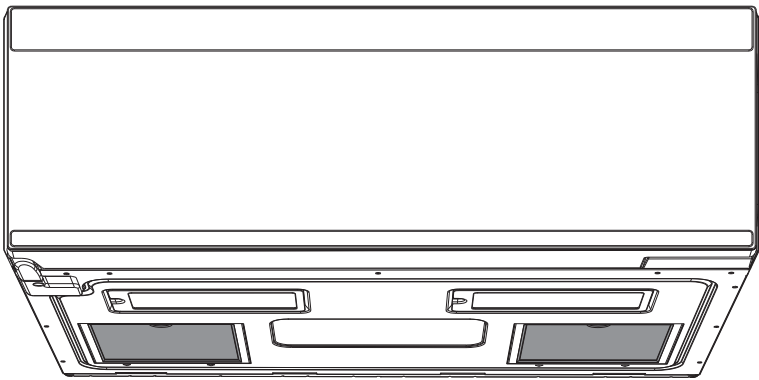
INSTALLING/REPLACING FILTERS AND LIGHT BULBS

To purchase replacement filters or light bulbs

- Visit www.cosmoappliances.com or reference the contact information at the end of this manual.

GREASE FILTERS

Grease filters are located on the underside of the microwave oven. The grease filters should be removed and cleaned at least once a month.



NOTE: Do not operate the microwave oven without the filters in place.

To replace the grease filters:

1. Make sure microwave oven is unplugged or power is disconnected.
2. Push back the finger grip and pull down the grease filters from the bottom plate.
3. Clean the grease filters monthly, or replace with a new grease filter if necessary.
4. Put the grease filters back to the bottom plate.

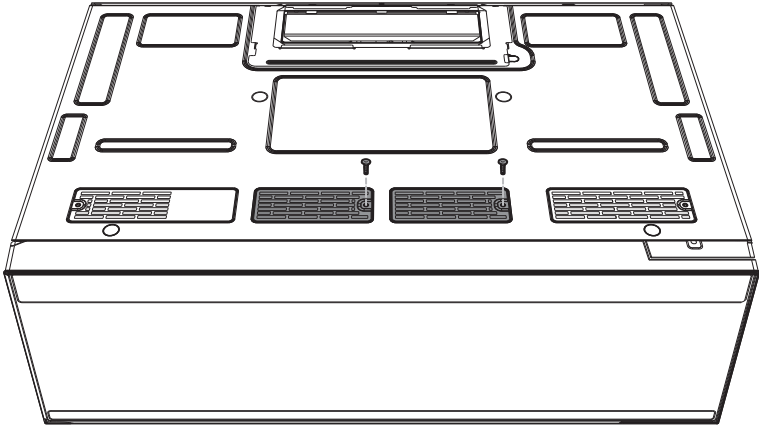
CHARCOAL FILTER

Charcoal filters are located at the top venting of the microwave oven. The charcoal filter cannot be cleaned and should be replaced about every 6 months.

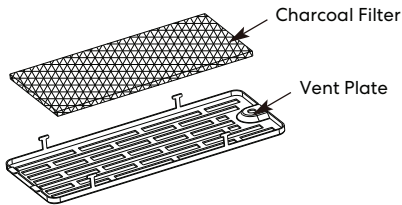
NOTE: For recirculation, do not operate the microwave oven without the filters in place.

To Replace Charcoal Filters:

1. Make sure microwave oven is unplugged or power is disconnected.
2. Remove the two vent plate screws located on the top of the microwave oven, and remove the vent plates.



3. Replace the charcoal filter from the vent plates.



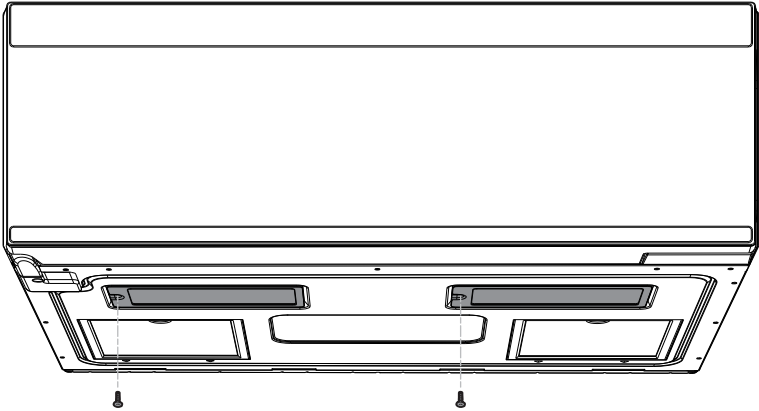
4. Replace the vent plates on the microwave oven and tighten the screws.

COOKTOP LIGHTS

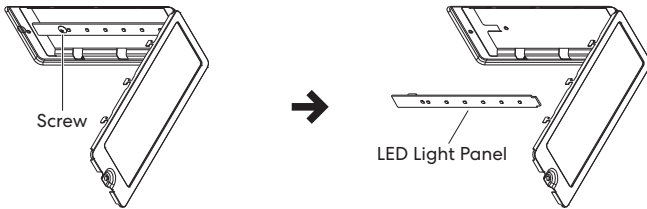
The cooktop lights are located on the underside of the microwave oven and are replaceable.

To replace the cooktop light:

1. Using a Phillips screwdriver, remove the glass cover screw at the bottom of the microwave oven.



2. Open the glass cover.
3. Remove the LED light panel screw, and disconnect the LED light panel from its terminal.



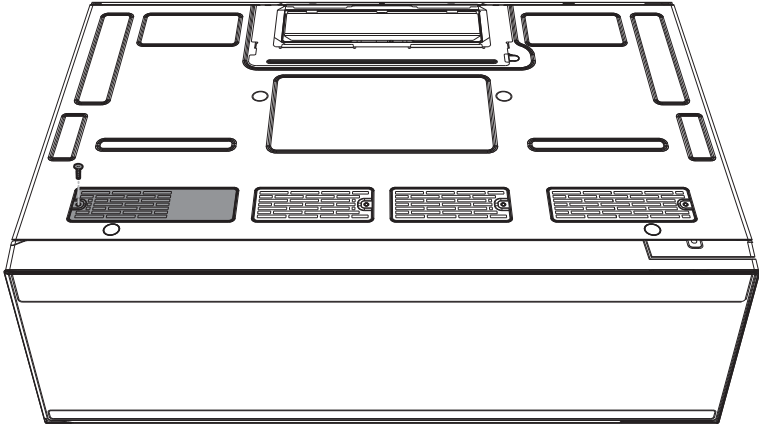
4. Insert a new LED light panel to the terminal and replace the LED light panel screw.
5. Close and secure the glass cover with the screw removed in step 1.

CAVITY LIGHT

The cavity light is located at the top left of the microwave oven near the front.

To replace the cavity light:

1. Using a Phillips screwdriver, remove the metal cover screw from the top left of the microwave oven and remove the metal cover.



2. Pull out the light from the light holder.
3. Insert a new light.
4. Reattach the metal cover with the screw removed in step 1.

TROUBLESHOOTING

First try the solutions suggested here. If you need further assistance or more recommendations that may help you avoid a service call, refer to the warranty page in this manual.

If you experience	Recommended Solutions
<p>Microwave oven will not operate</p>	<p>Check the following:</p> <ul style="list-style-type: none"> • Household fuse or circuit breaker: If a household fuse has blown or a circuit breaker has tripped, replace the fuse or reset the circuit breaker. If the problem continues, call an electrician. • Magnetron: Try to heat 1 cup (250 mL) of cold water for 2 minutes at 100% cooking power. If water does not heat, try the steps in the bullets below. If microwave oven still does not operate, call for service. • Door: Firmly close door. On some models, if a packaging spacer is attached to inside of the door, remove it, then firmly close door. If a message "Food" appears in the display, the door has been closed for 5 minutes or more without the microwave oven being started. This occurs to avoid unintended starting of the microwave oven. Open and close the door, then start the cycle. • Control: Make sure control is set properly. Make sure Control Lock is OFF. Make sure Demo mode (on some models) is OFF.
<p>Arcing in the microwave oven</p>	<ul style="list-style-type: none"> • Soil buildup: Soil buildup on cavity walls, microwave inlet cover, cooking rack supports, and area where the door touches the frame can cause arcing. See "General Cleaning" in the "Microwave Oven Care" section. • Cookware: Use microwave-safe cookware only.

If you experience	Recommended Solutions
Fan running during cooktop usage	<ul style="list-style-type: none"> • This is normal. The microwave oven's cooling fan, which is separate from the vent fan, automatically comes on during microwave oven operation to cool the microwave oven. It may also automatically come on and cycle on and off to cool the microwave oven's controls while the cooktop below is being used. • The vent fans may also automatically come on at low setting when the built-in temperature sensor near the fans detects temperature over 158°F (70°C).
Unevenly cooked food	<ul style="list-style-type: none"> • Turn over or stir food midway through the cooking. • Completely defrost food before cooking. • Use appropriate cooking time and power level. • Use microwave-safe cookware only.
Overcooked food	<ul style="list-style-type: none"> • Use appropriate cooking time and power level.
Undercooked food	<ul style="list-style-type: none"> • Completely defrost food before cooking. • Use appropriate cooking time and power level. • Use microwave-safe cookware only.

LIMITED WARRANTY

WARRANTY AND SERVICE

TO RECEIVE WARRANTY SERVICE, YOUR PRODUCT MUST BE REGISTERED.

TO REGISTER AND REVIEW FULL WARRANTY DETAILS, VISIT:

WWW.COSMOAPPLIANCES.COM/WARRANTY

SCAN TO REGISTER



CUSTOMER SUPPORT

TO CHAT WITH US LIVE FOR ASSISTANCE, VISIT:

WWW.COSMOAPPLIANCES.COM/CHAT

SCAN TO CHAT



IMPORTANT

Do Not Return This Product To The Store

If you have a problem with this product, please contact COSMO Customer Support at

+1 (888) 784-3108

DATED PROOF OF PURCHASE, MODEL #, AND SERIAL # REQUIRED FOR WARRANTY SERVICE.

IMPORTANT

Ne pas Réexpédier ce Produit au Magasin

Pour tout problème concernant ce produit, veuillez contacter le service des consommateurs Cosmo Customer Support au

+1 (888) 784-3108

UNE PREUVE D'ACHAT DATEE EST REQUISE POUR BENEFICIER DE LA GARANTIE.

IMPORTANTE

No regrese este producto a la tienda

Si tiene algún problema con este producto, por favor contacte el ayuda al cliente COSMO al

+1 (888) 784-3108

(Válido solo en E.U.A.)

NECESITA UNA PRUEBA DE DE COMPRA FECHADA, NÚMERO DE MODELO Y DE SERIE PARA EL SERVICIO DE LA GARANTÍA.



Correct Disposal of this product:

This marking indicates that this appliance should not be disposed with other household wastes. To prevent possible harm to the environment or human health from uncontrolled waste disposal, recycle it responsibly to promote the sustainable reuse of material resources.

MEMO

18 horizontal dashed lines for writing.



APPLIANCES

Cosmo is constantly making efforts to improve the quality and performance of our products, so we may make changes to our appliances without updating this manual.

Electronic version of this manual is available at:
www.cosmoappliances.com