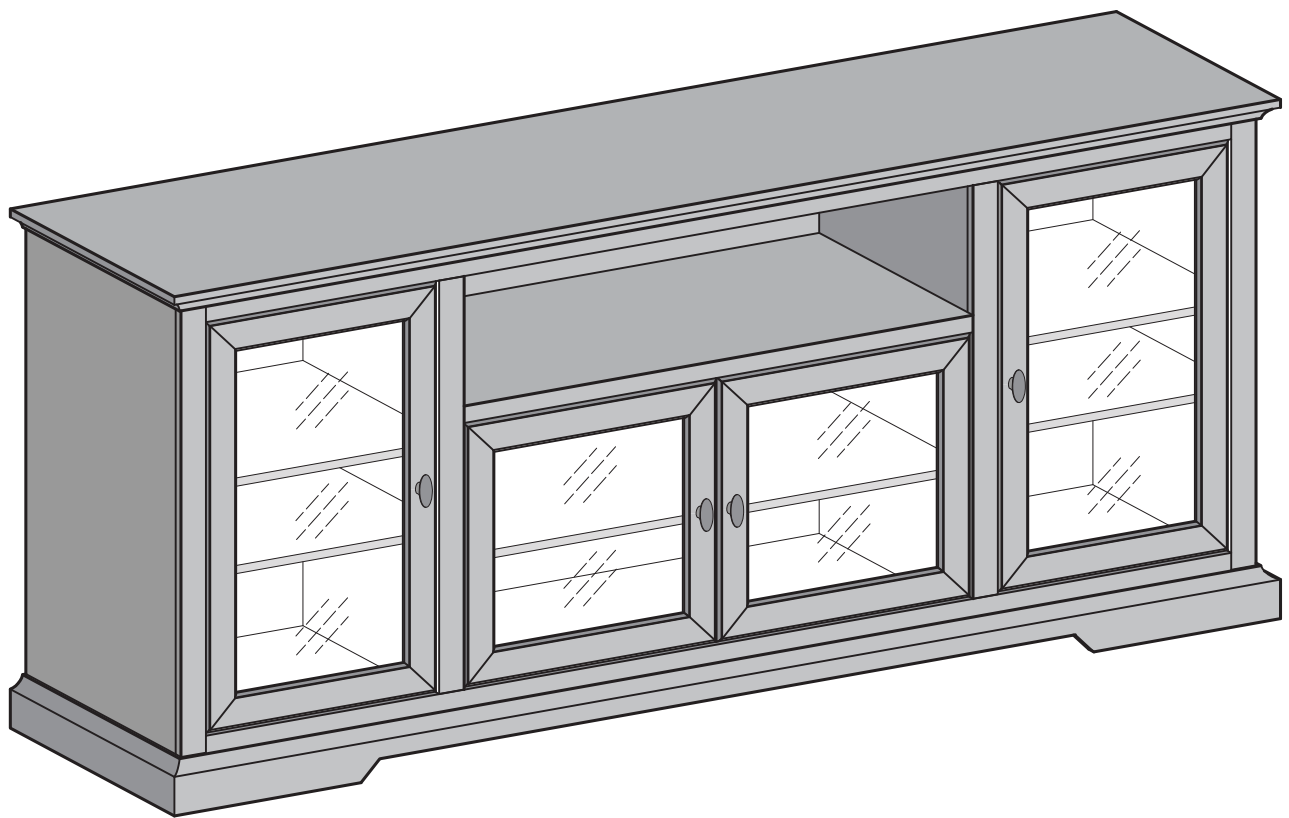


W Walker[®]
Edison
furniture company

Item # : W70C32
Assembly Instructions

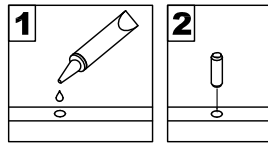


Please visit our website for the most current instructions, assembly tips, report damage, or request parts. www.walkeredison.com

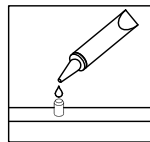
Revised 03/2017

General Assembly Guidelines

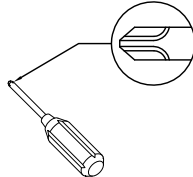
- I. Ensure that all parts and hardware are available before beginning assembly.
- II. Follow each step carefully to ensure the proper assembly of this product.
- III. Two people are recommended for ease in the assembly of this product.
- IV. The three main types of hardware used to assemble this product are : wood dowels , screws and bolts.
- V. The provided glue is to secure wood dowels in place . When first inserting dowels , locate the appropriate hole for the dowel , place a small amount of glue in the hole and insert the dowel . Wipe away excess glue immediately.



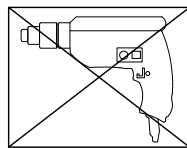
In future assembly steps when dowels are necessary to attach assembly parts together , place a small amount of glue on the end of the dowel before attaching parts together . Wipe away excess glue immediately.



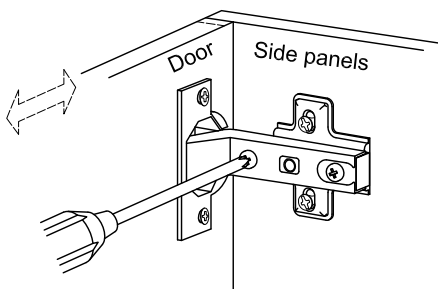
- VI. A Phillips head screwdriver is required for the assembly of this product .



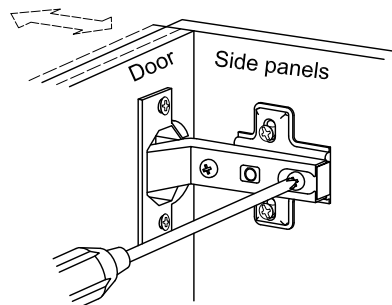
- VII. Power tools should not be used to assemble this product .



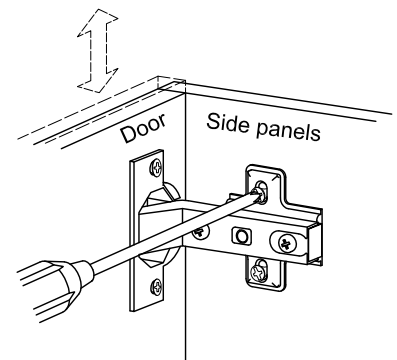
- VIII. Concealed hinges are three-way adjustable.



Horizontal
by screw adjustment

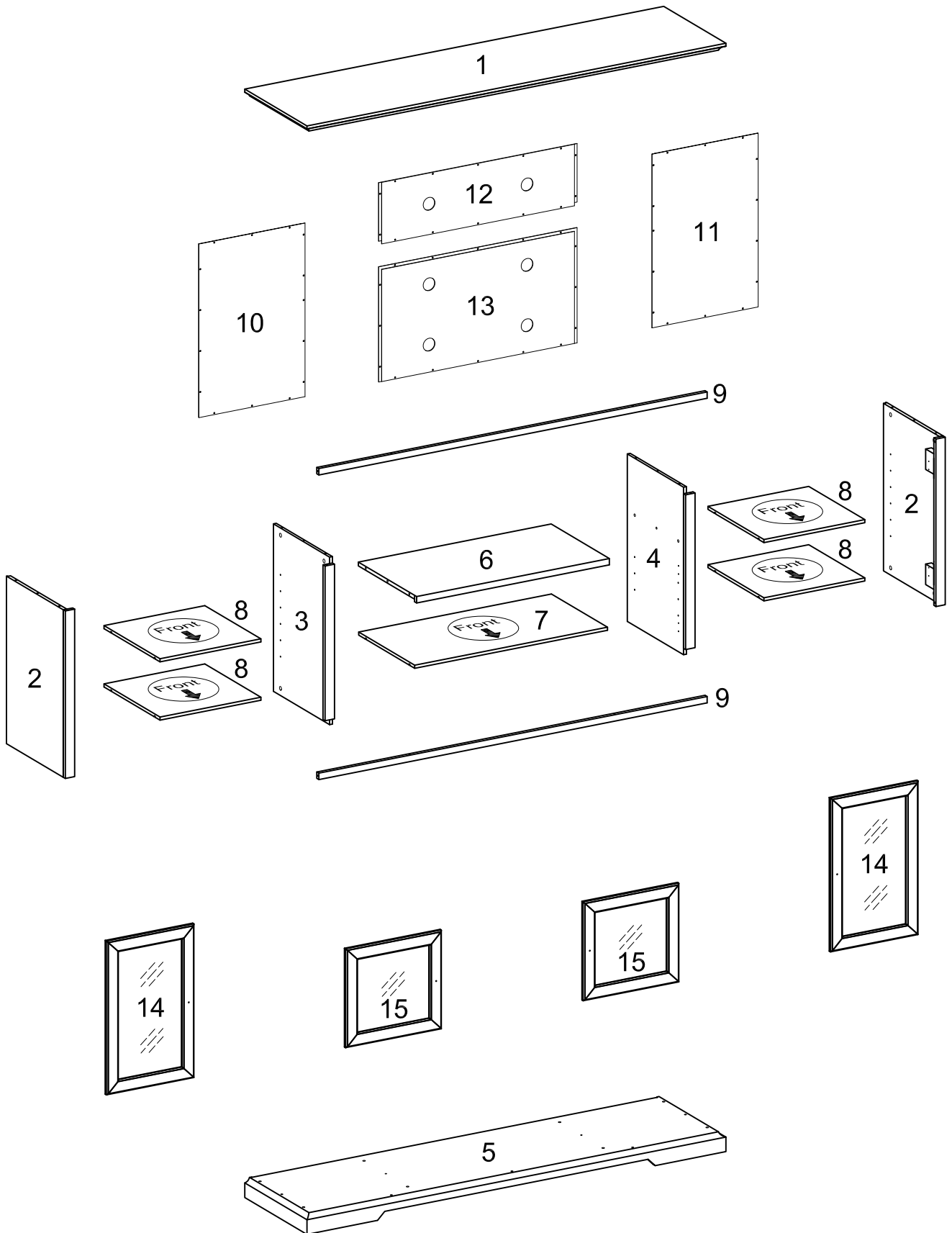


In-and-Out
by loosening the hinge-arm
mounting screw or via cam
adjustment



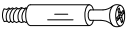


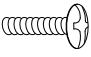
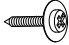
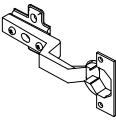
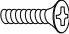
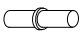





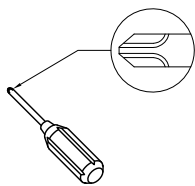
Vertical
Via slots in the mounting
plate or via cam adjustment

Parts List



Hardware List

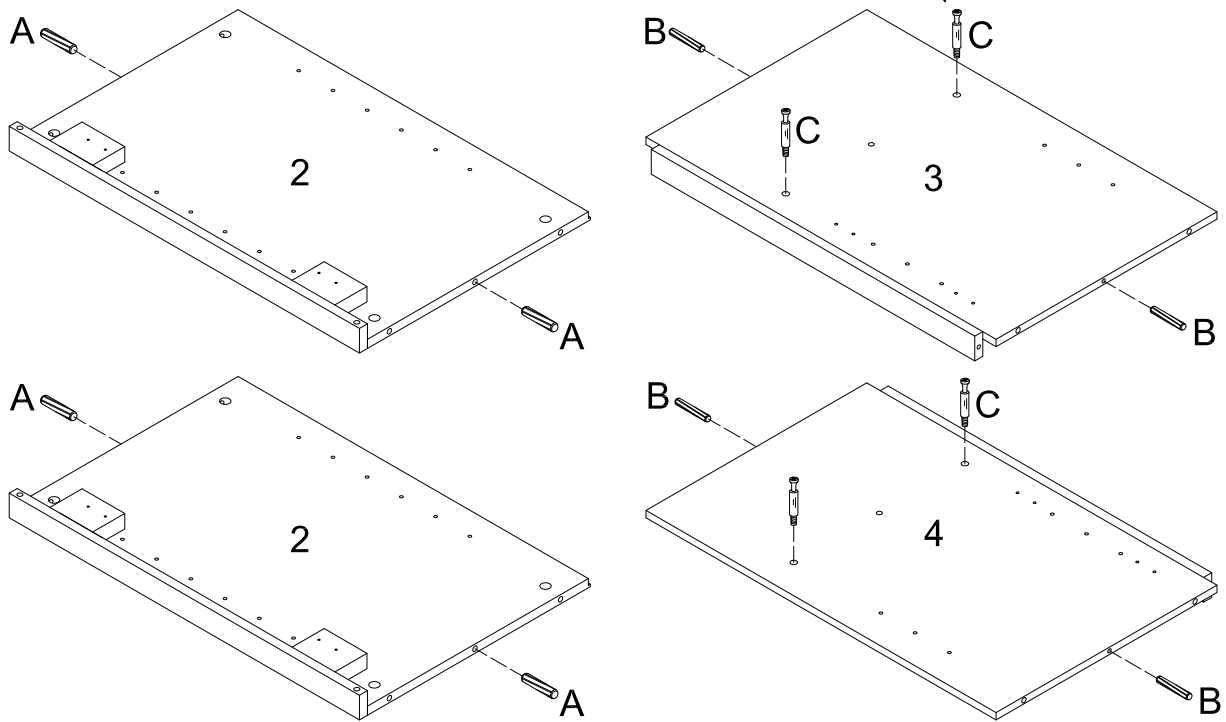
A		Ø8x30mm	Large wooden dowel	6 pcs
B		Ø6x30mm	Small wooden dowel	18 pcs
C		Ø6x32mm	Cam bolt	20 pcs
D		Ø15x9.5mm	Cam lock	20 pcs
E		Ø24x21mm	Handel	4 pcs
F		Ø9mmx5/32"x3/4"	Bolt	4 pcs
G		Ø7x3x12mm	Screw	45 pcs
H			Hinge	8 pcs
J		Ø4x12mm	Screw	32 pcs
K		Ø8x5x16mm	Shelf support pin	20 pcs
L			Sticker	20 pcs
M			Glue tube	2 pcs
N			Touch-up marker (Except Black or White)	1 pc



Philips head screwdriver required for assembly
(not included)

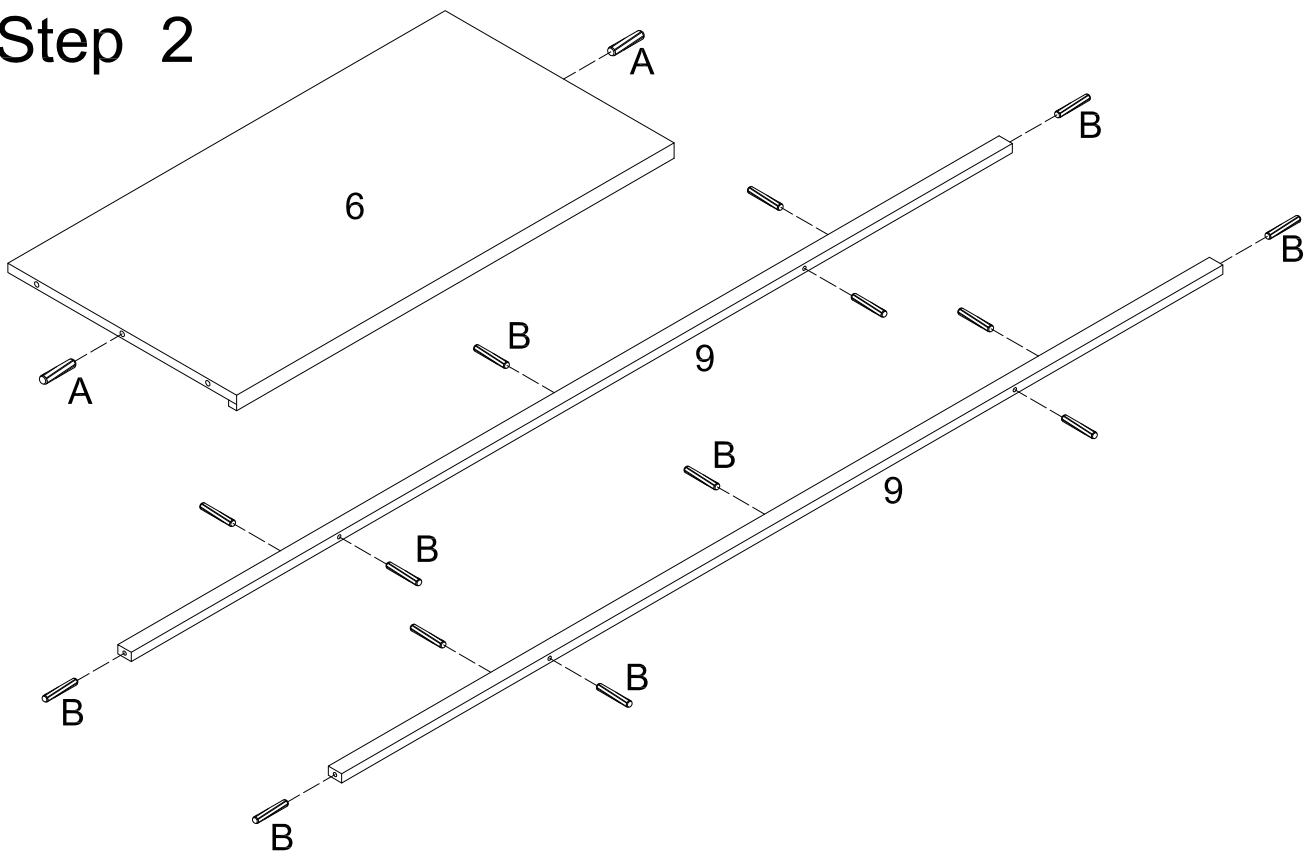
*The hardware quantities listed above are required for proper assembly.
Some extra hardware may also have been included.*

Step 1



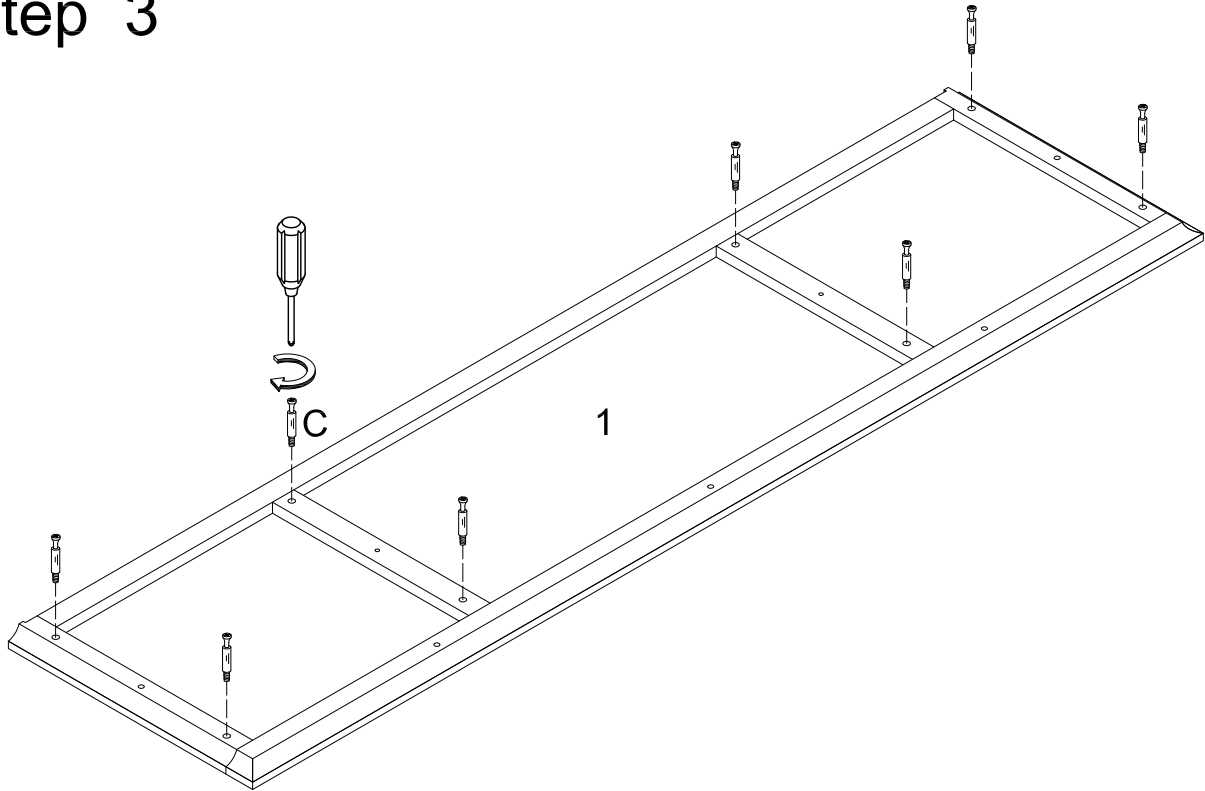
Insert dowels (A) into panels (2,3,4). Screw Cam Bolts (C) into panels (3,4).

Step 2



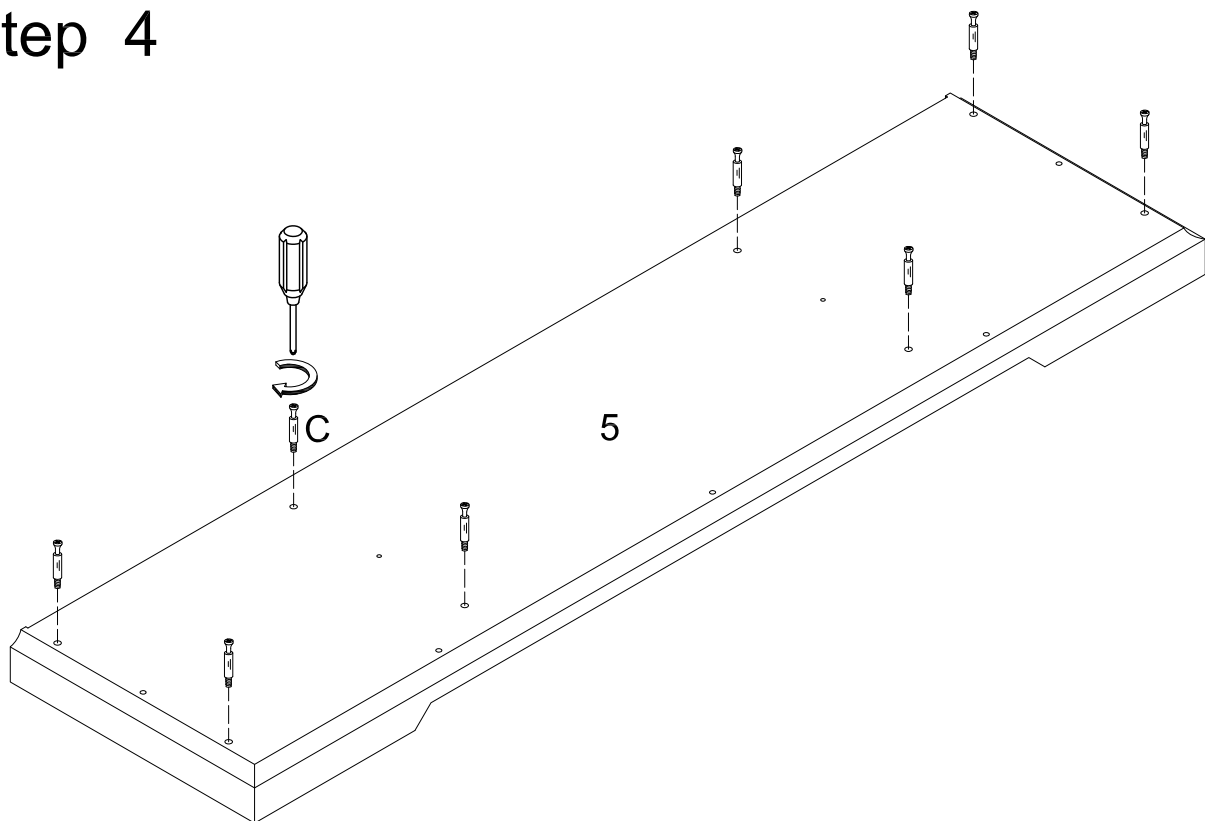
Insert dowels (A) into panel (6). Insert dowels (B) into slats (9).

Step 3



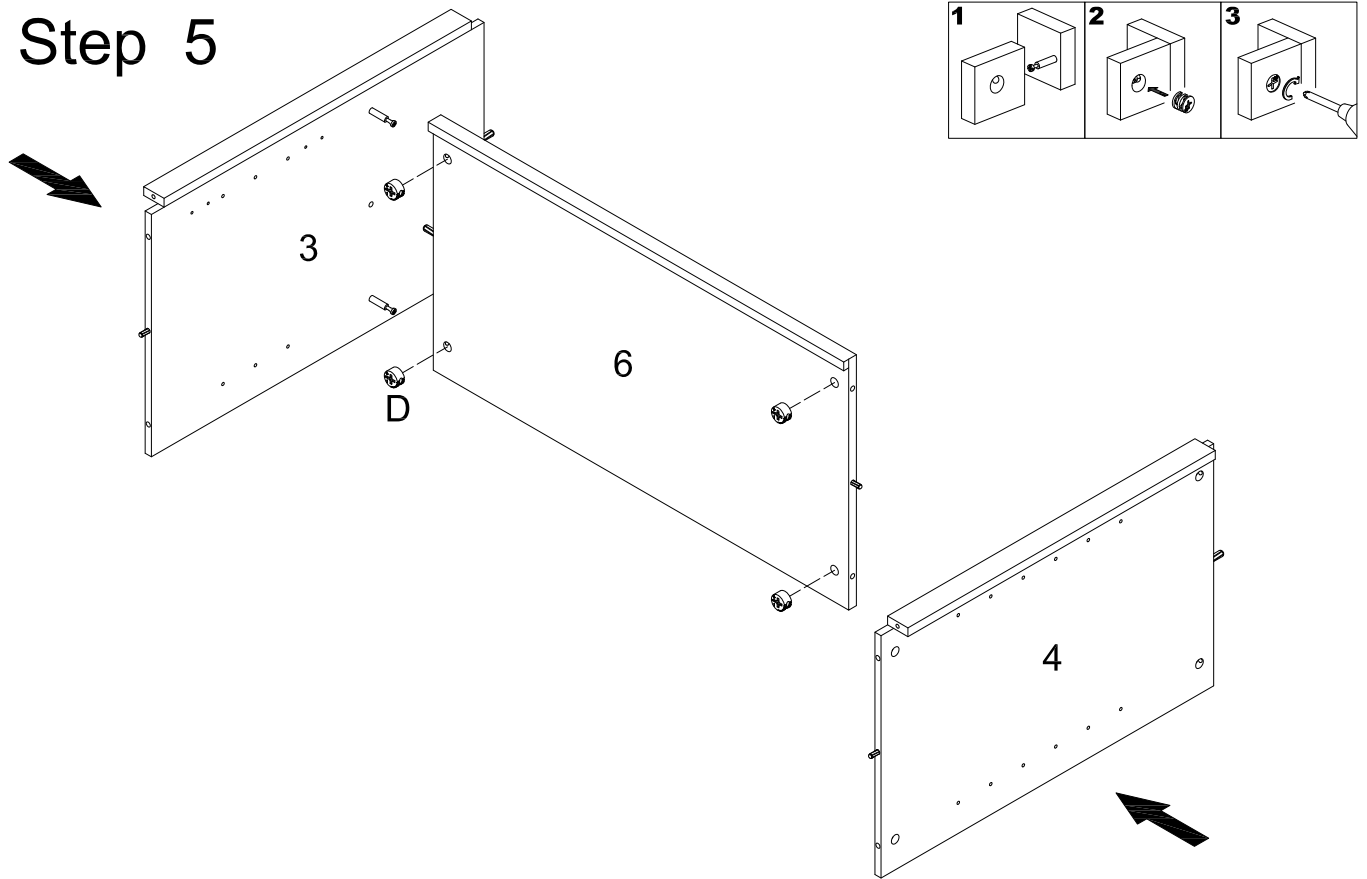
Screw cam bolts (C) into top panel (1).

Step 4



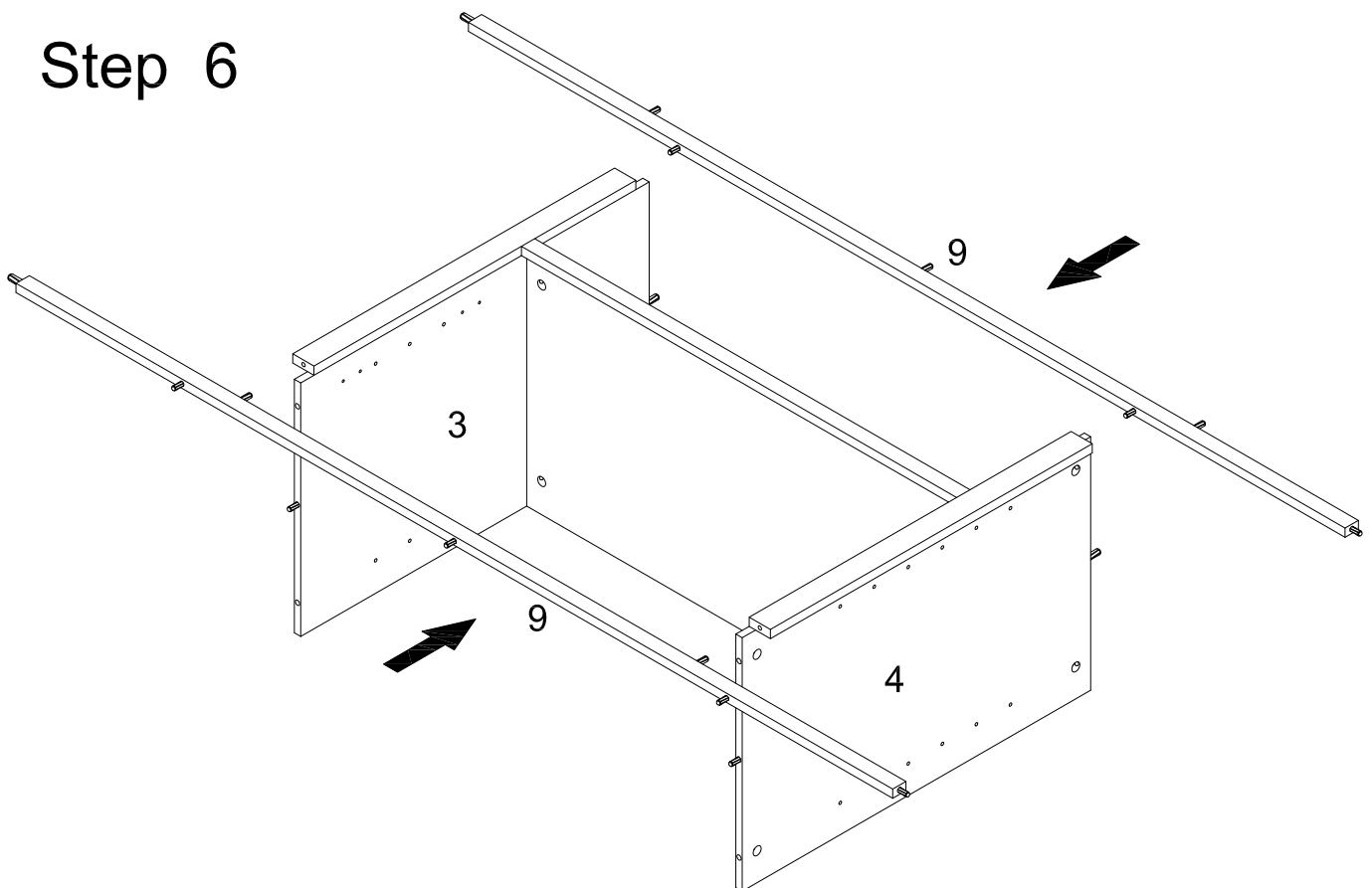
Screw cam bolts (C) into bottom panel (5).

Step 5



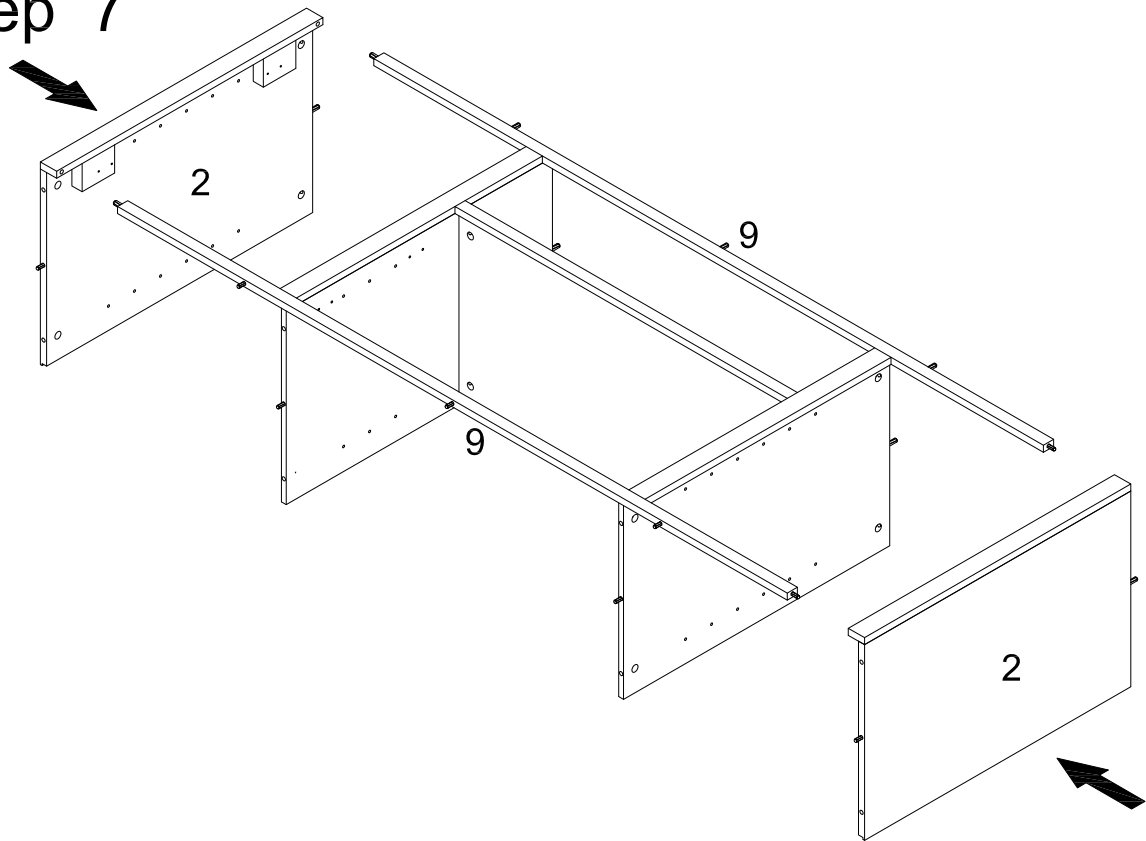
Attach panels (3,4) to panel (6) using cam bolts and dowels as guides. Secure panels (3,4) to panel (6) using cam locks (D). Tighten cam locks (D) with a screwdriver.

Step 6



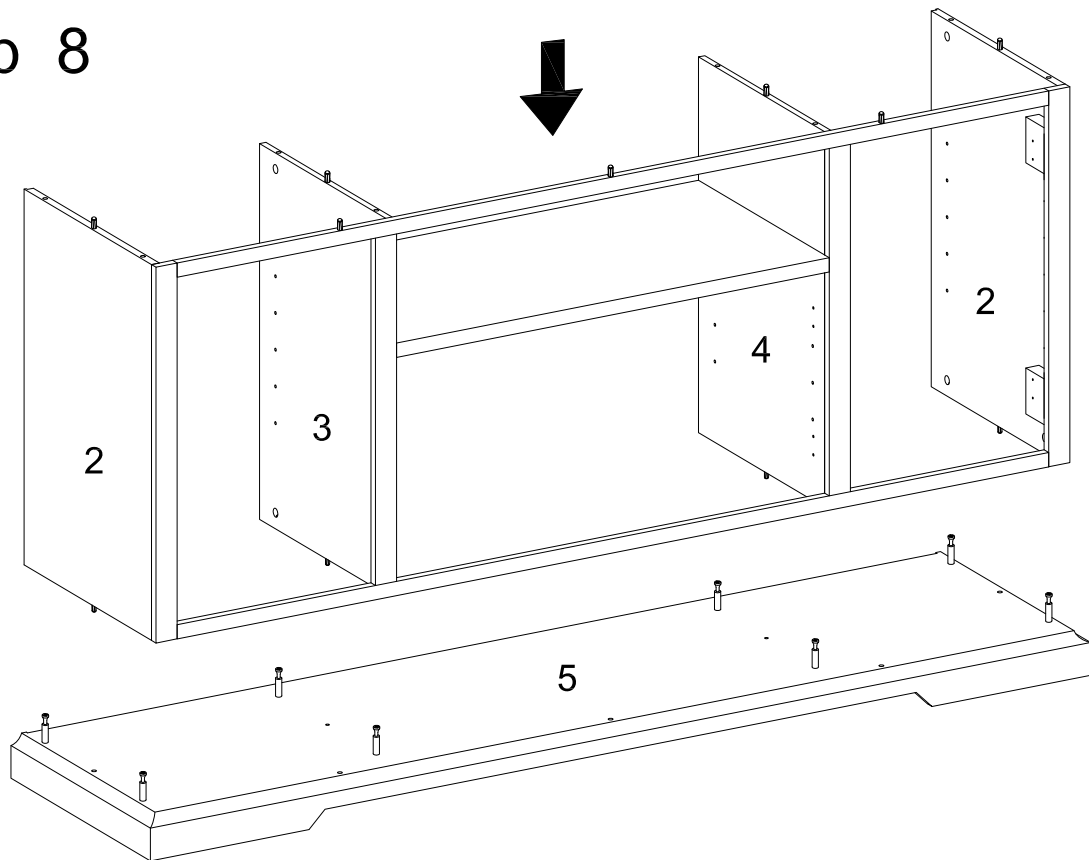
Attach slats (9) to panels (3,4) using cam bolts and dowels as guides.

Step 7



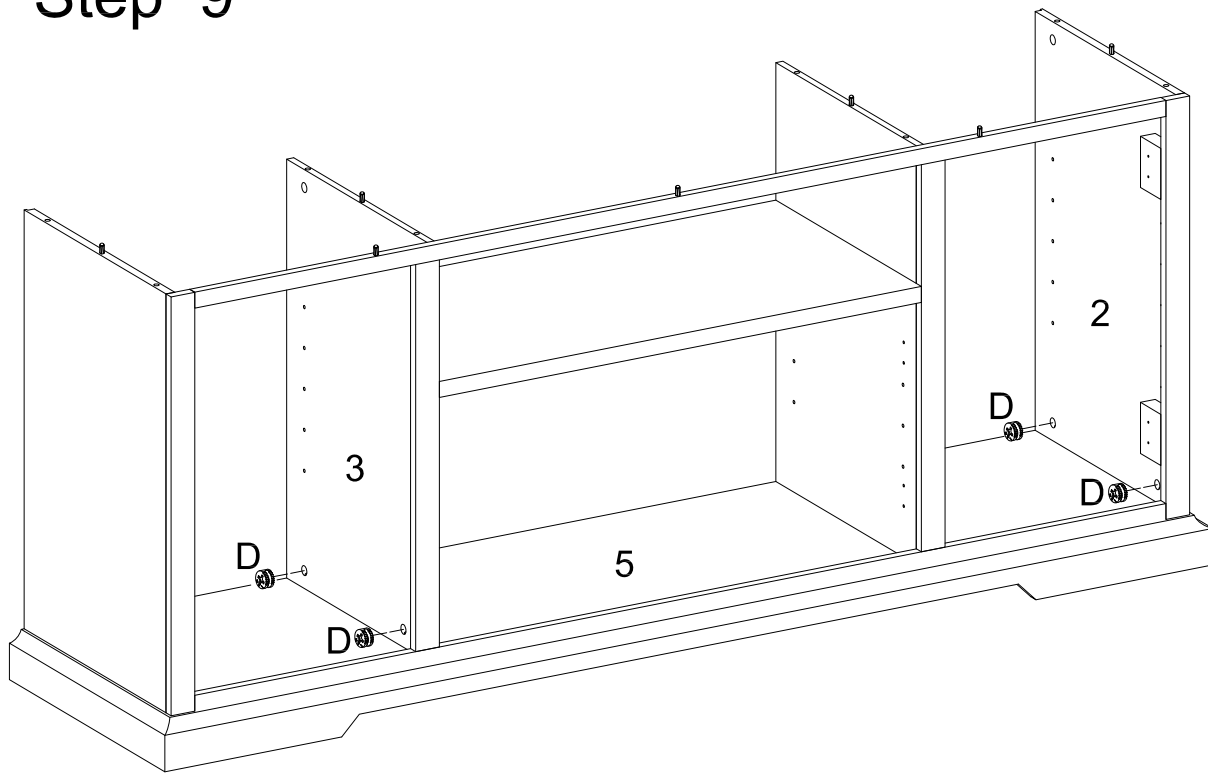
Attach panels (2) to slats (9) using dowels as guides.

Step 8



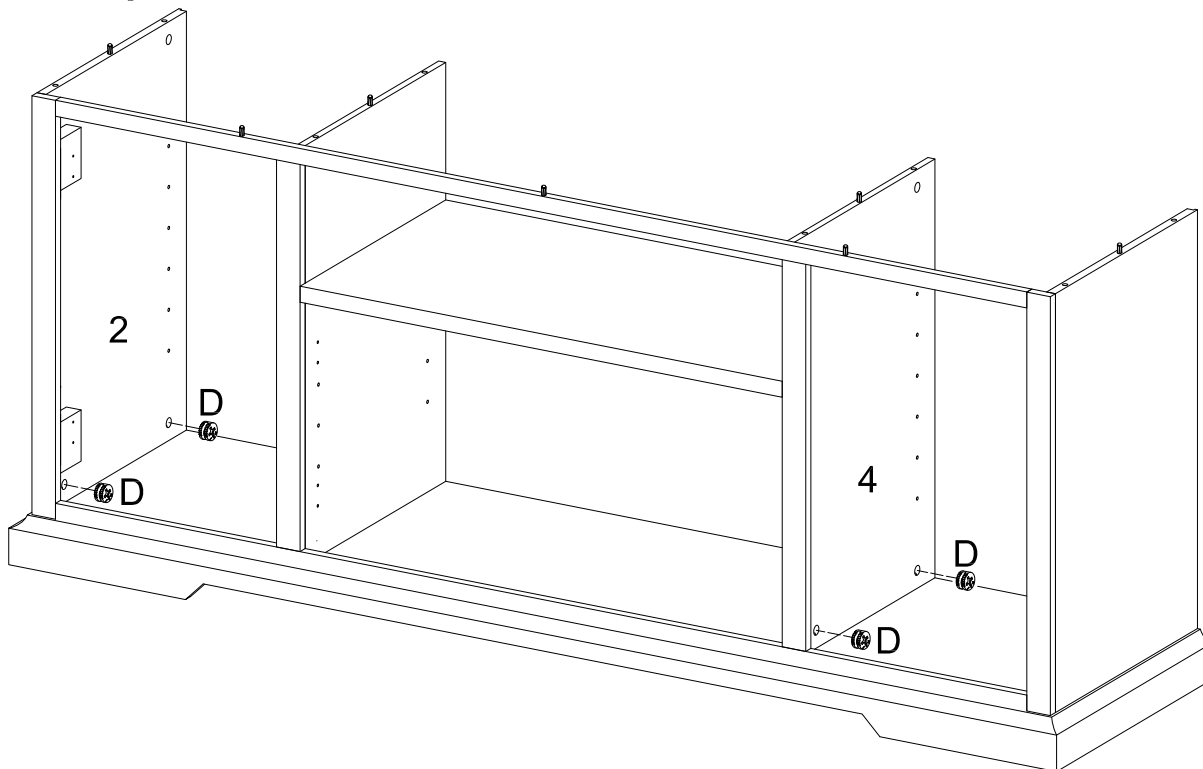
Attach the assembly from the previous step to bottom panel (5) using cam bolts and dowels as guides.

Step 9



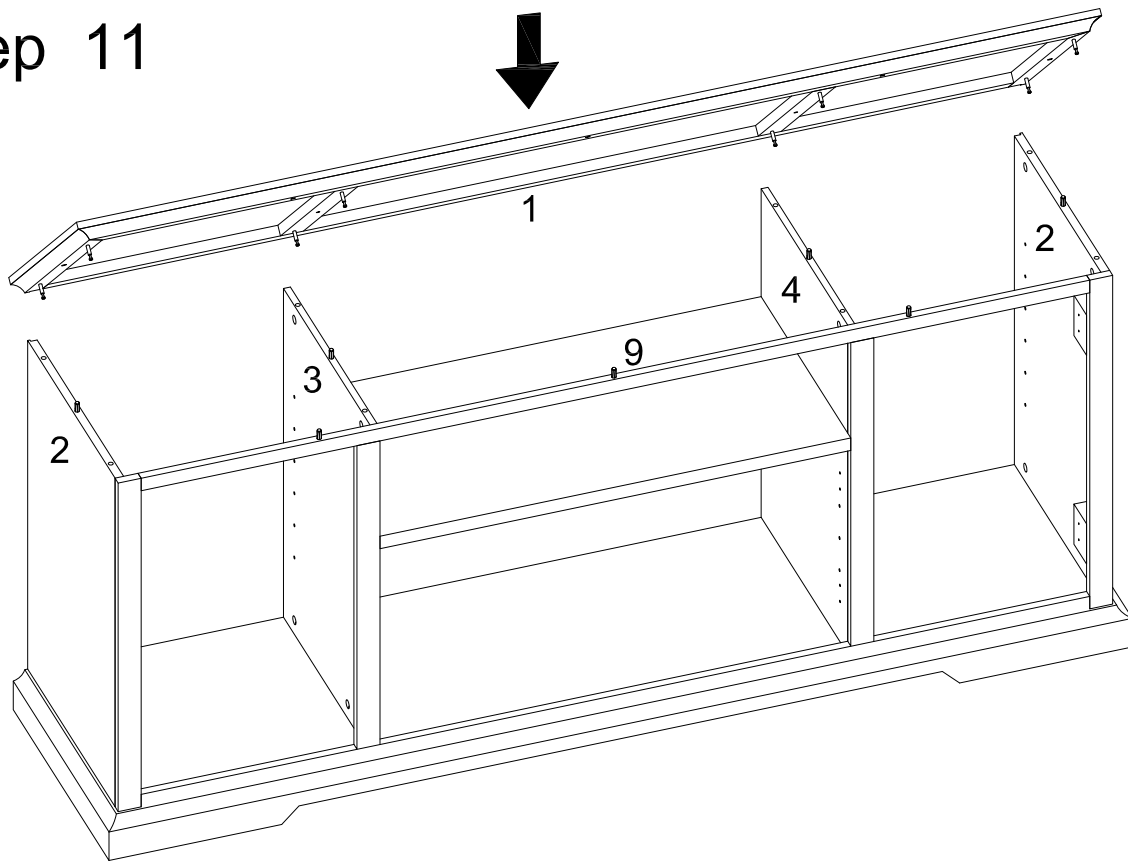
Secure panels (2,3) to bottom panel (5) using cam locks (D). Tighten cam locks (D) with a screwdriver.

Step 10



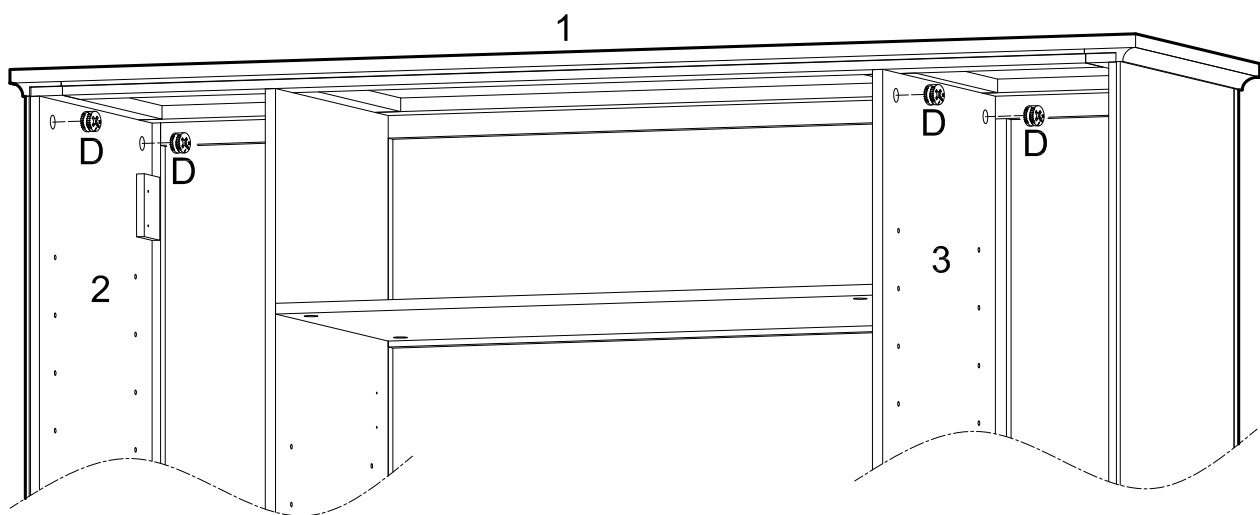
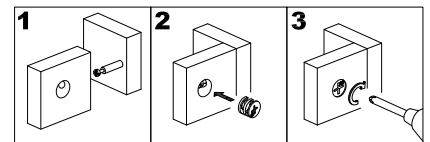
Secure panels (2,4) to bottom panel (5) using cam locks (D). Tighten cam locks (D) with a screwdriver.

Step 11



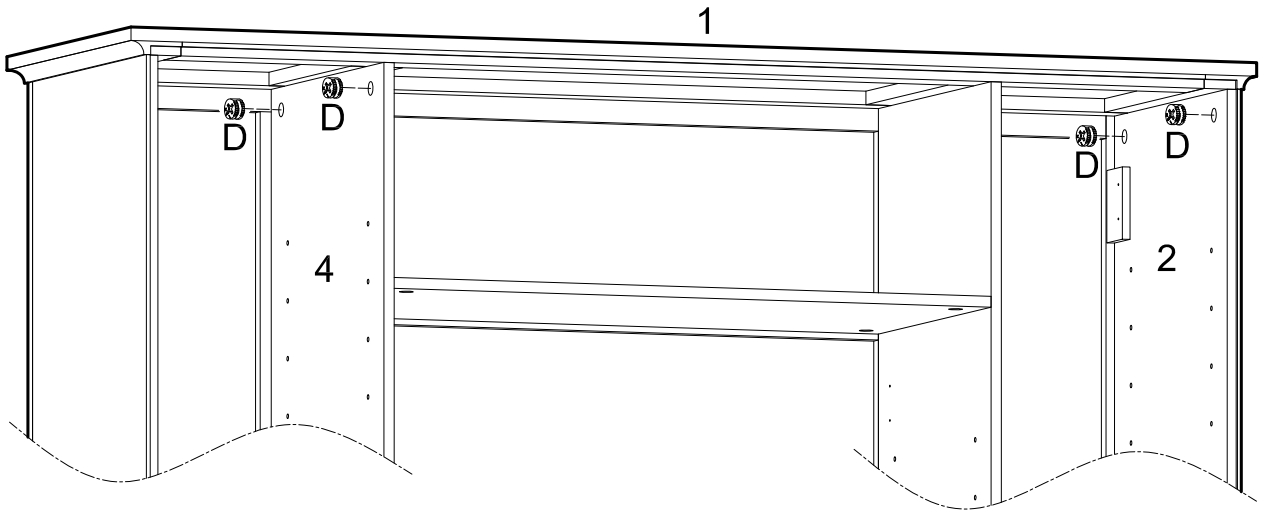
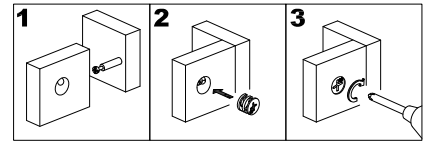
Carefully fit top panel (1) into place using cam bolts and dowels as guides.

Step 12



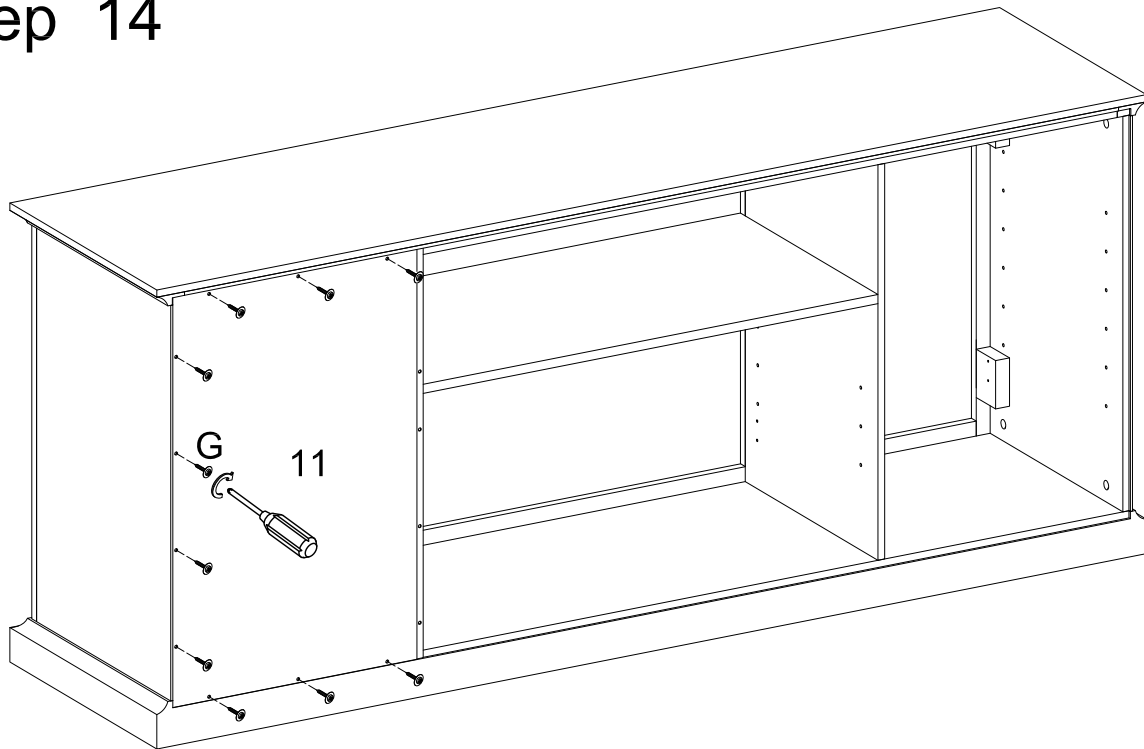
Secure top panel (1) to panels (2,3) using cam locks (D). Tighten cam locks (D) with a screwdriver.

Step 13



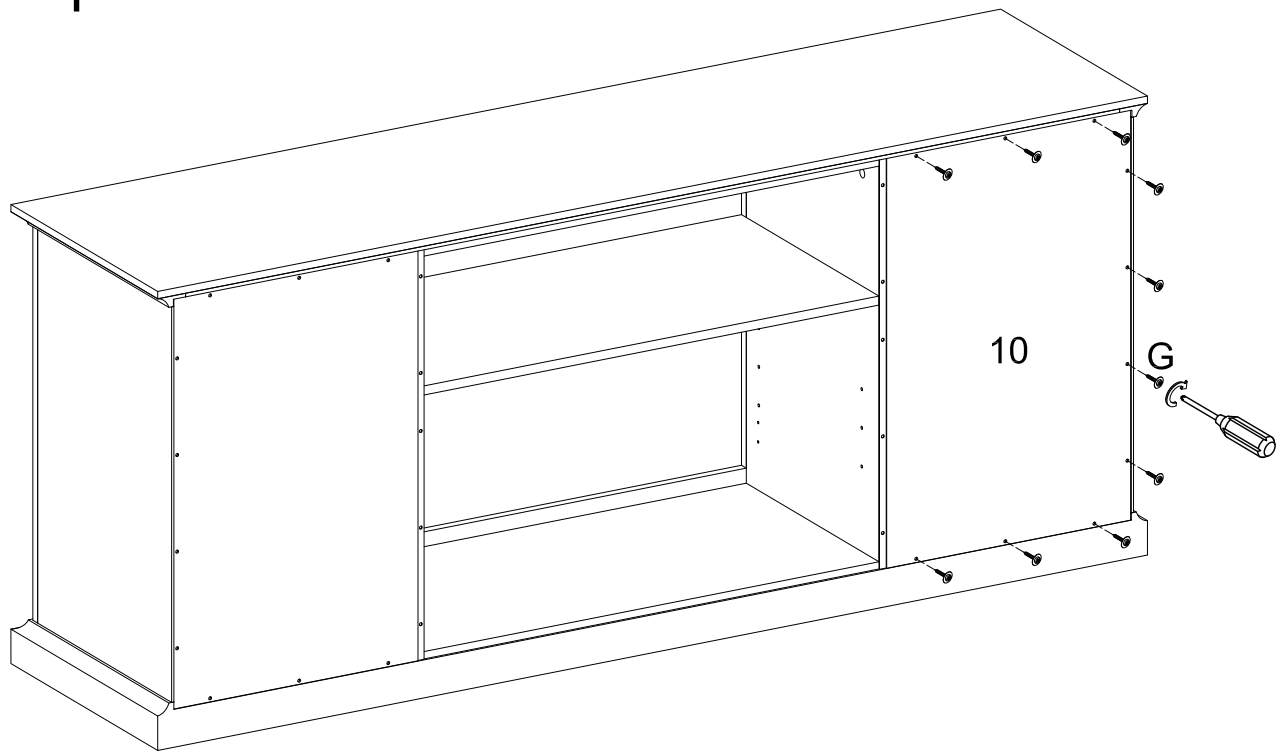
Secure top panel (1) to panels (2,4) using cam locks (D). Tighten cam locks (D) with a screwdriver.

Step 14



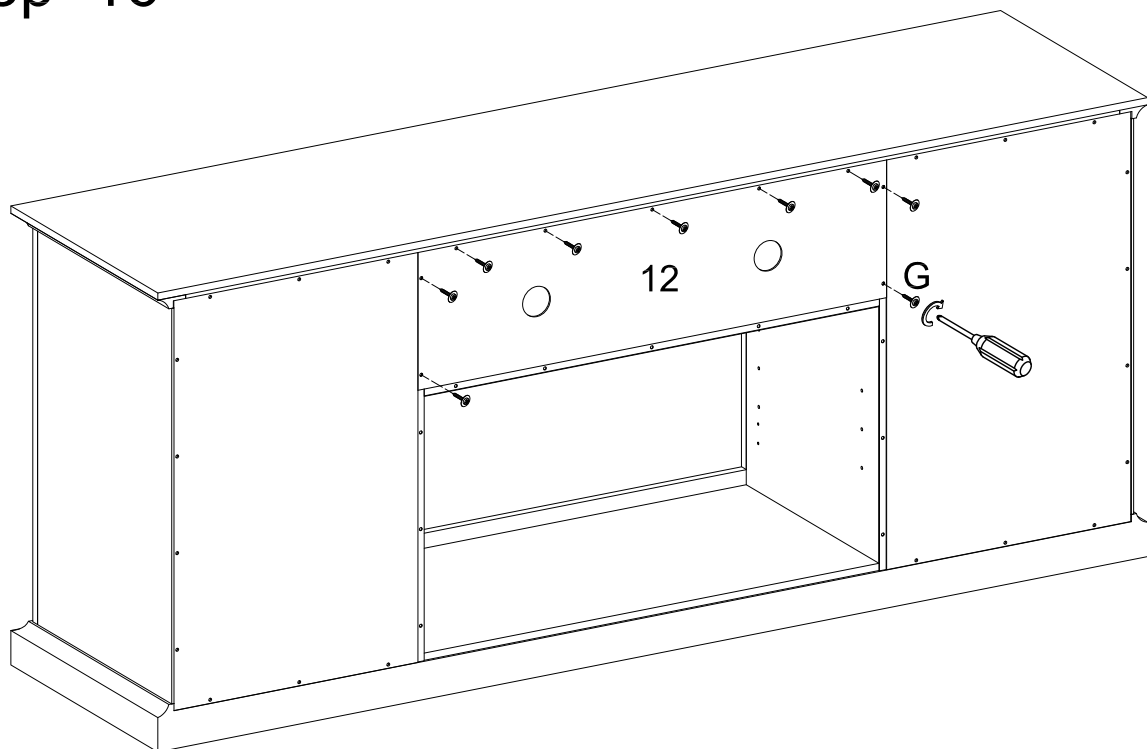
Attach panel (11) to the back of the console using screw (G).

Step 15



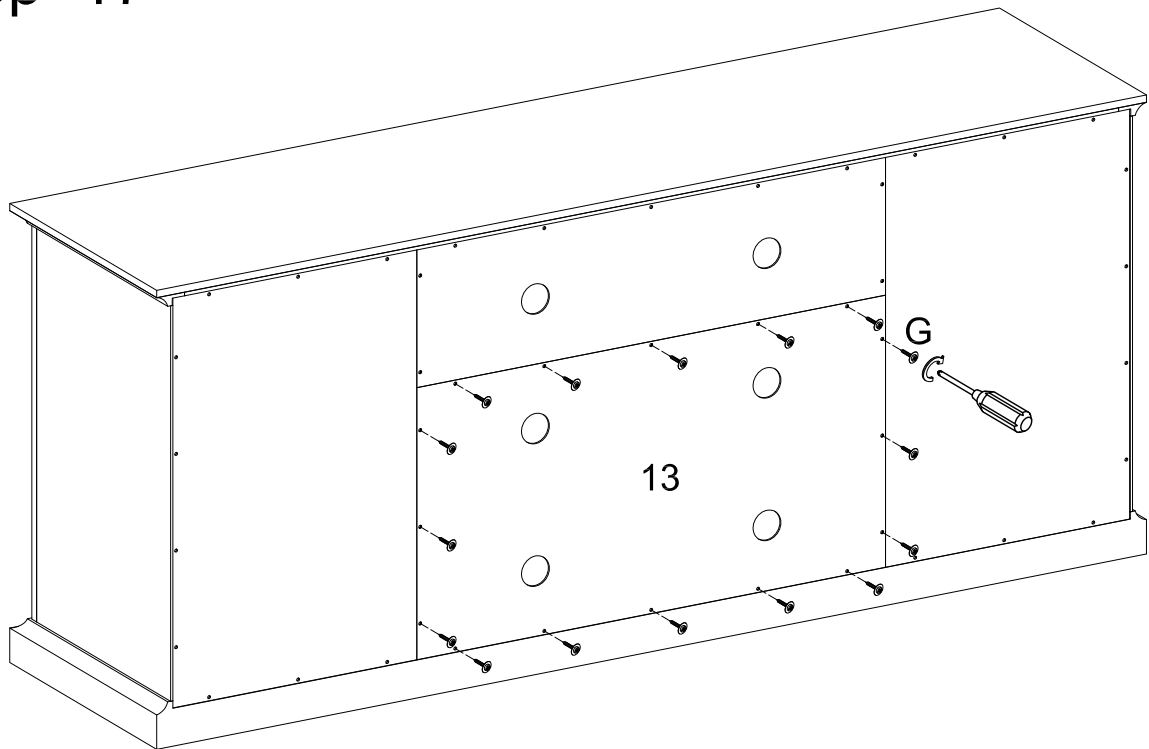
Attach panel (10) to the back of the console using screws (G).

Step 16



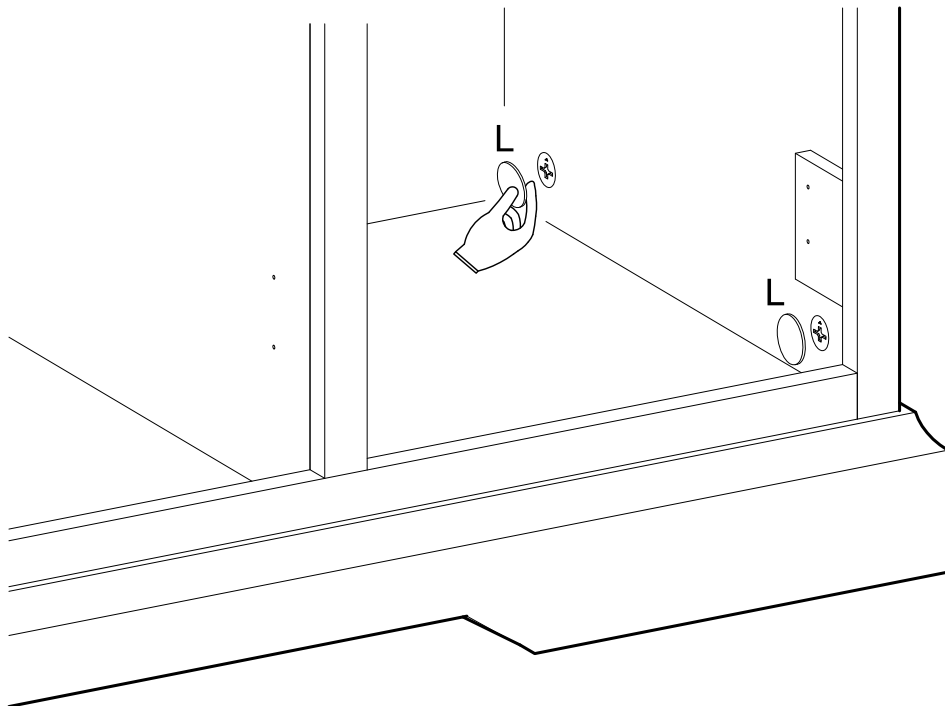
Attach panel (12) to the back of the console using screws (G).

Step 17



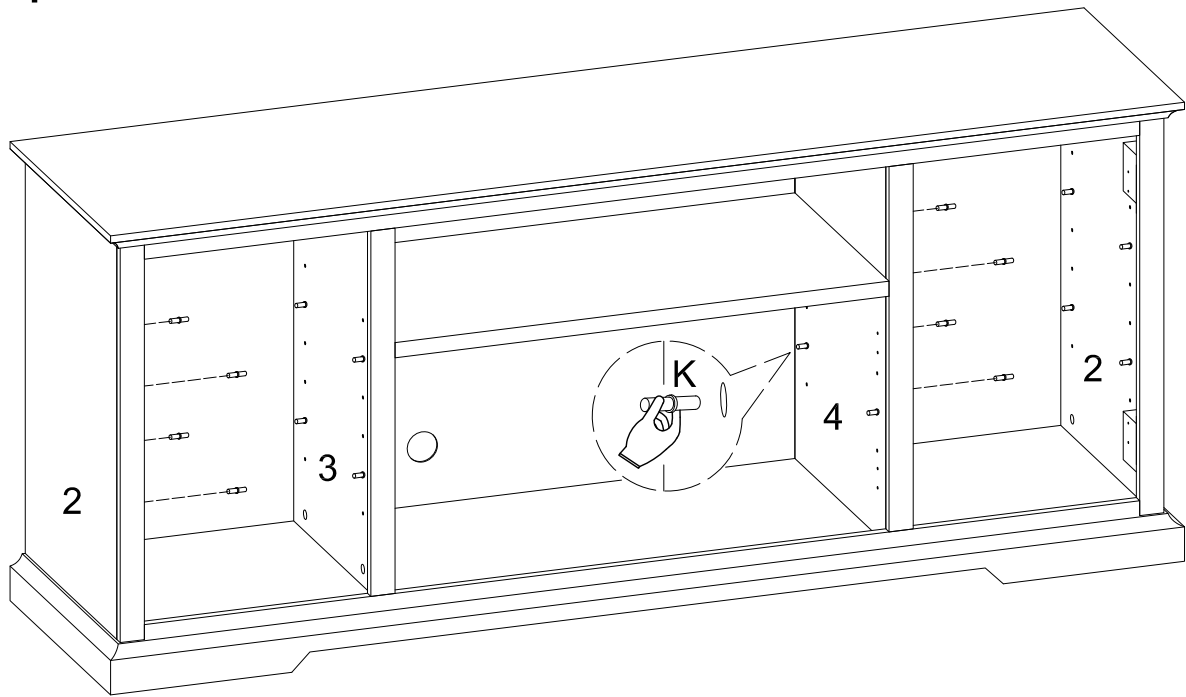
Attach panel (13) to the back of the console using screws (G).

Step 18



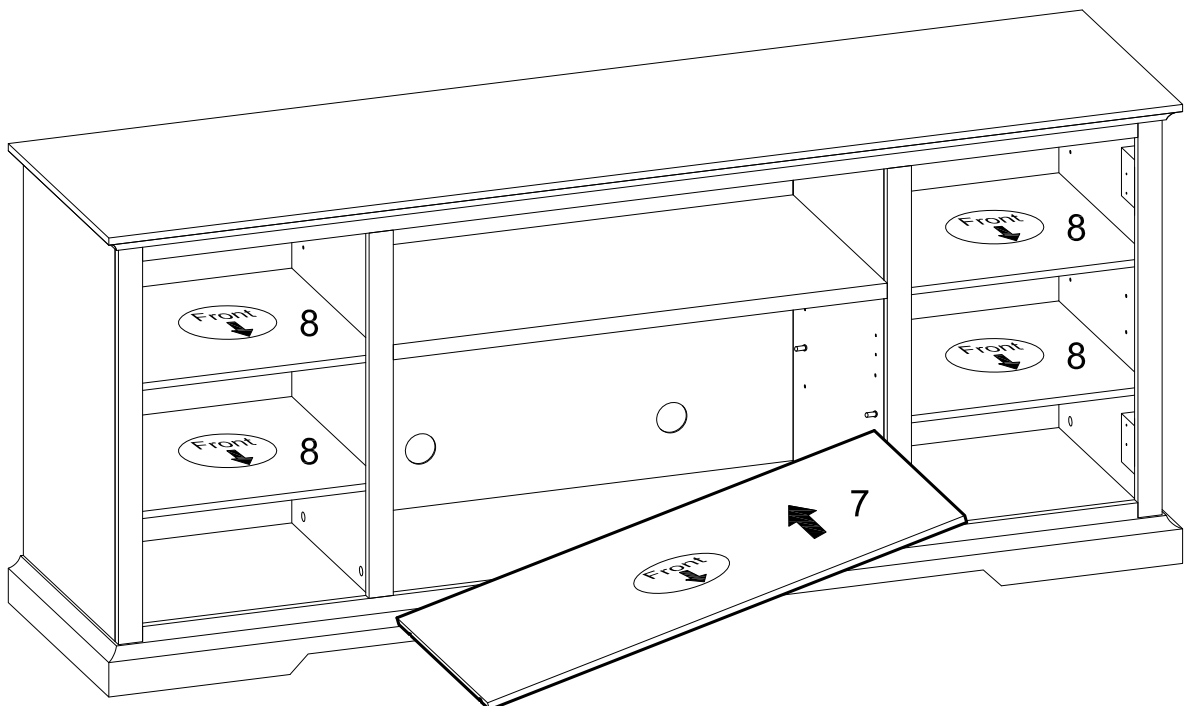
Cover all visible cam locks with stickers (L) as desired.

Step 19



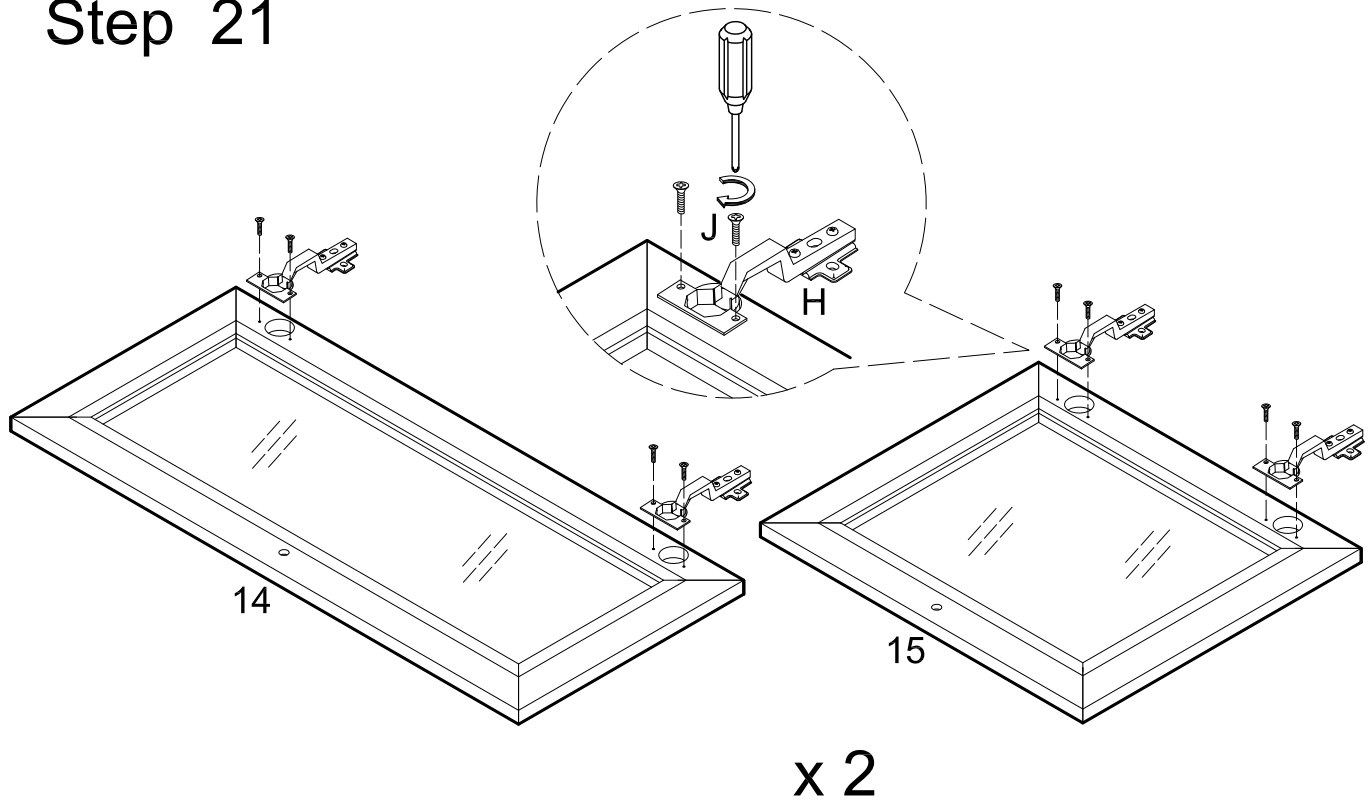
Inserts the shelf support pins (K) to the panel (2,3,4) at desired shelf heights.

Step 20



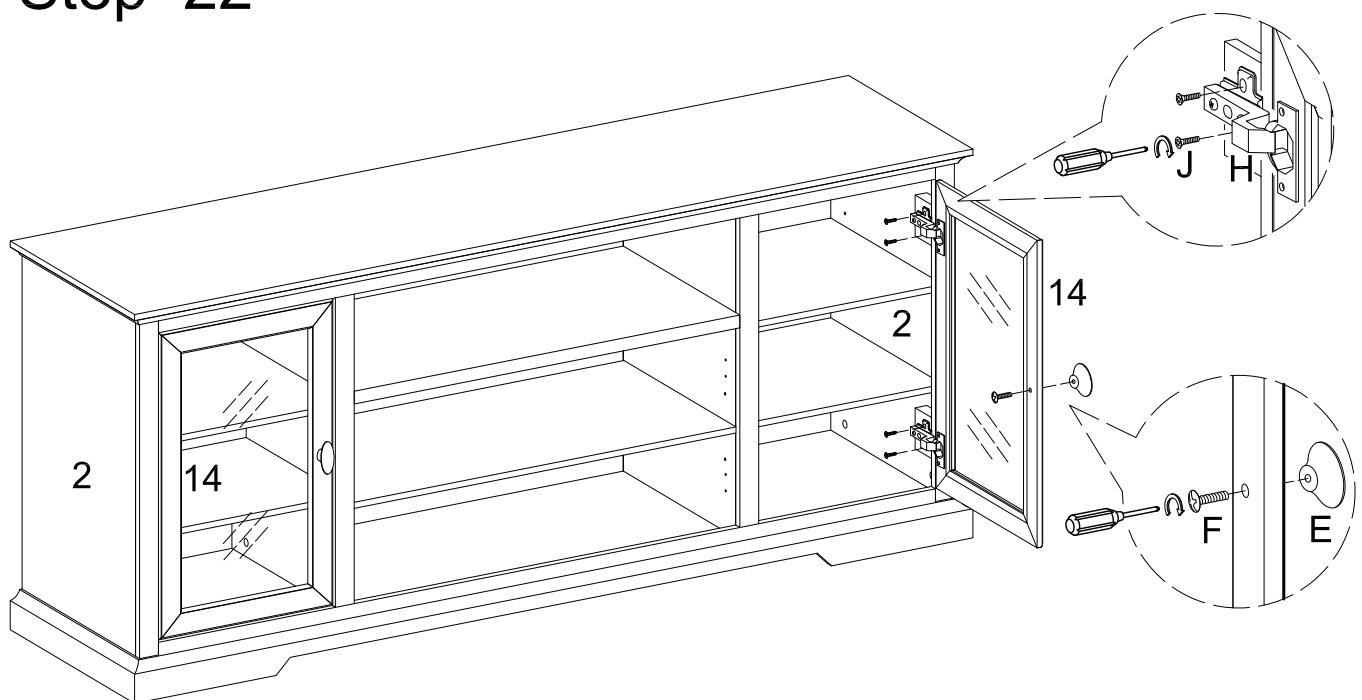
Carefully place shelves (7,8) in console. Shelves (7,8) will rest on the shelf support pins.

Step 21



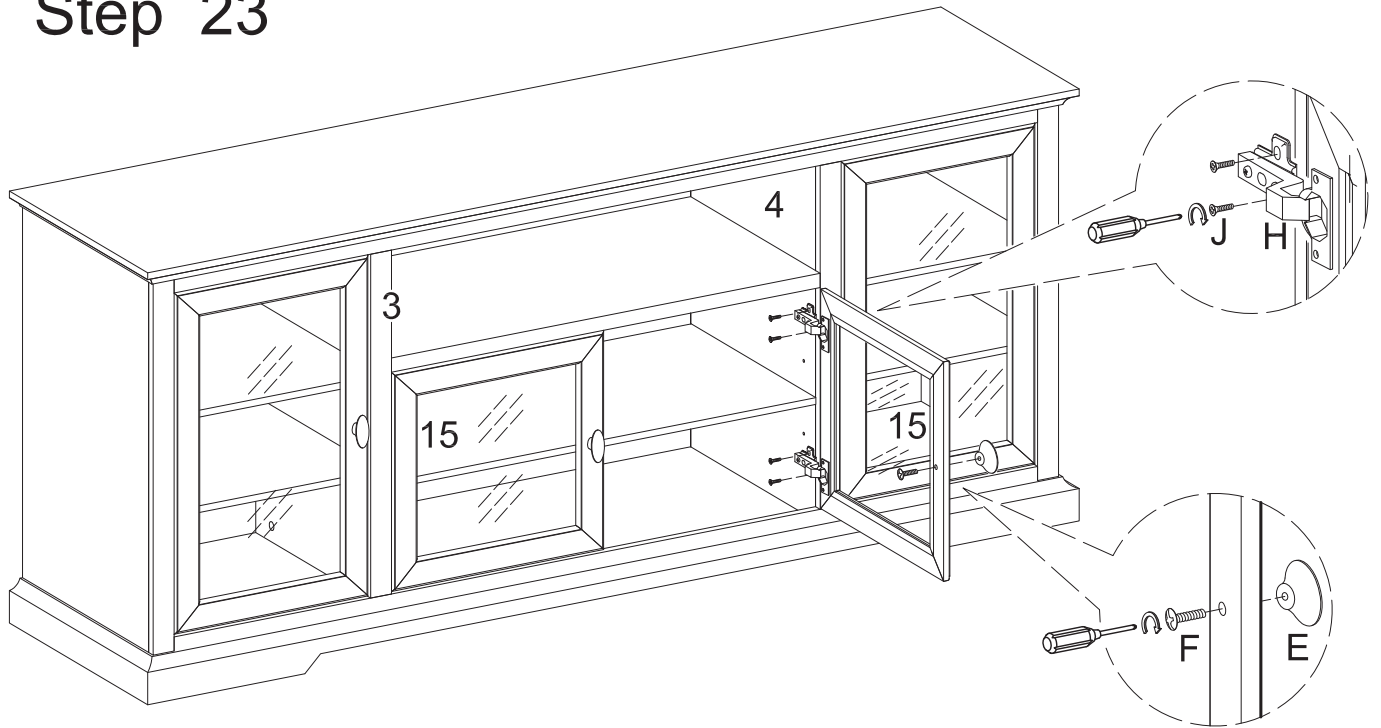
Attach hinges (H) to door (14,15) using screws (J). Repeat this step for the second set of doors.

Step 22



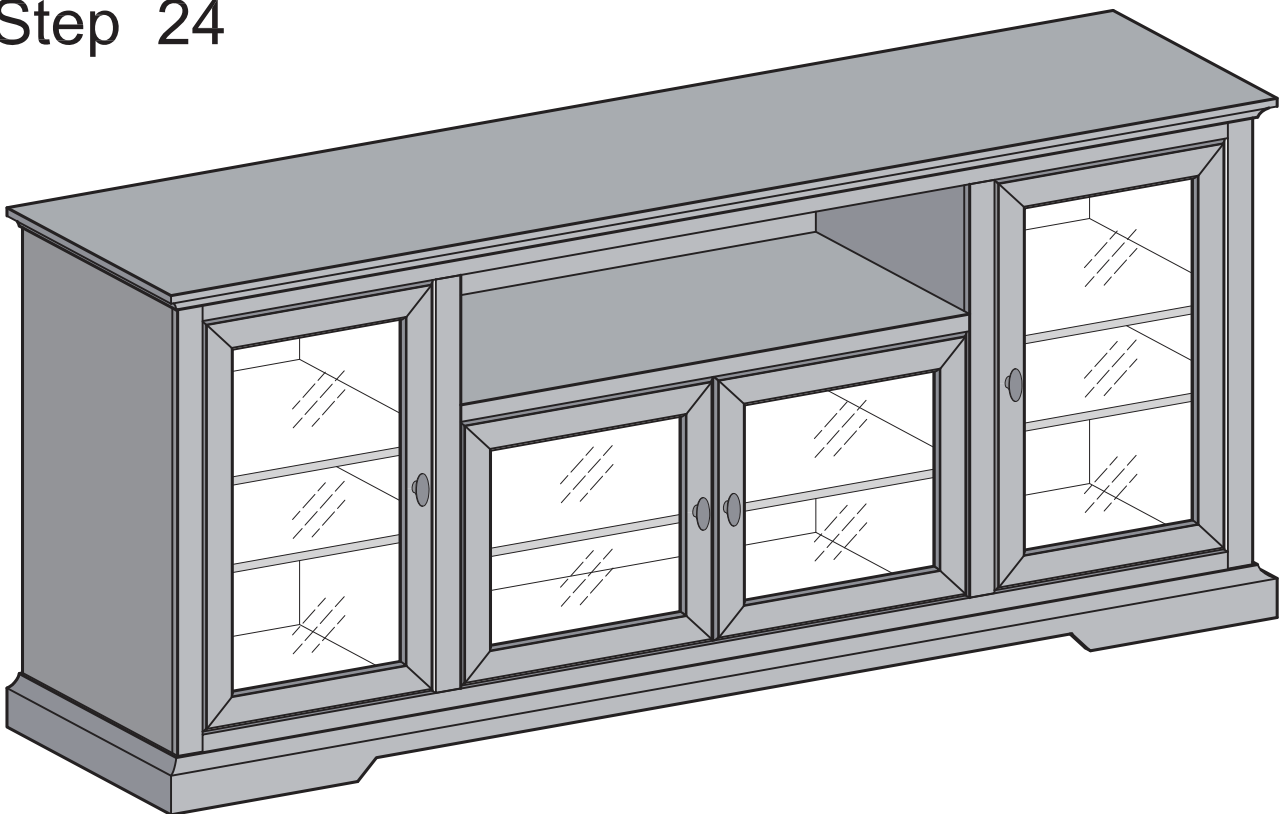
Attach doors (14) to panels (2) using screws (J) at hinges (H). See page 2 for specific instructions on how to adjust hinges so doors are aligned with console as desired. Attach handles (E) to doors (14) using bolts (F).

Step 23



Attach doors (15) to panels (3,4) using screws (J) at hinges (H). See page 2 for specific instructions on how to adjust hinges so doors are aligned with console as desired. Attach handles (E) to doors (15) using bolts (F).

Step 24



Final Assembly