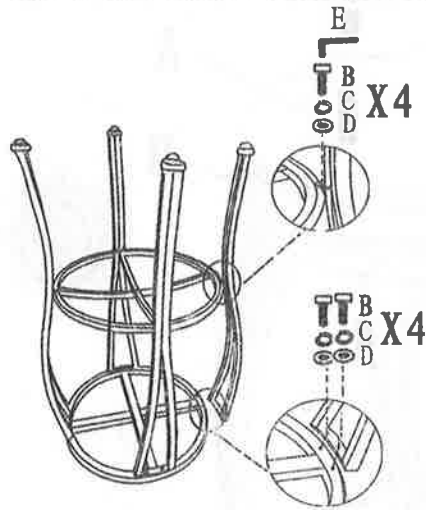


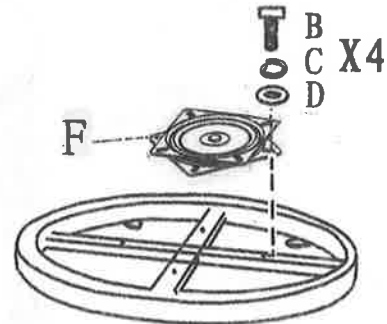
ASSEMBLY INSTRUCTION

ITEM#: J3005

STEP1



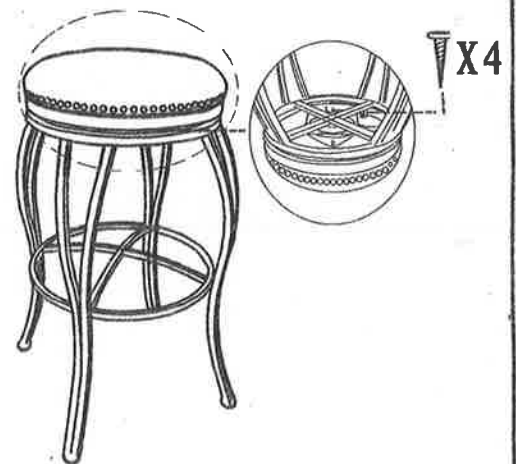
STEP2









STEP3



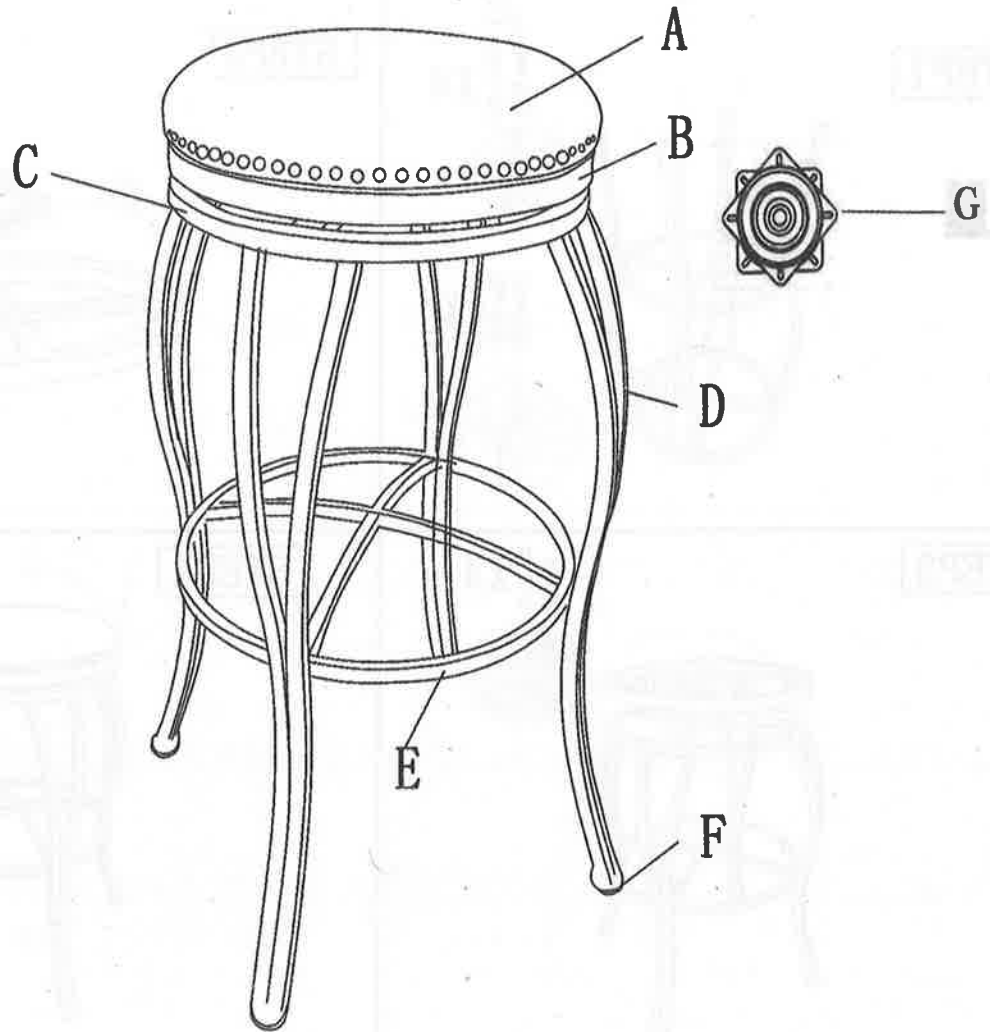
STEP4



Note: Please do not tighten all bolts until the chair is assembled completely.
Not for commercial use.

A		4PCS	M4*18mm
B		20PCS	1/4"*15mm
C		20PCS	Φ6.5*δ1.2
D		20PCS	Φ6.5*δ1.2
E		1 PC	4#
F		1 PC	6"

PARTS LIST



	Part Description	Quantity
A	Seat cushion	1
B	Seat frame	1
C	Top ring	1
D	Leg	4
E	Footrest ring	1
F	Leveler ($\phi 17*24*7*1/4$)	4
G	Swivel plate (6")	1