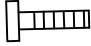
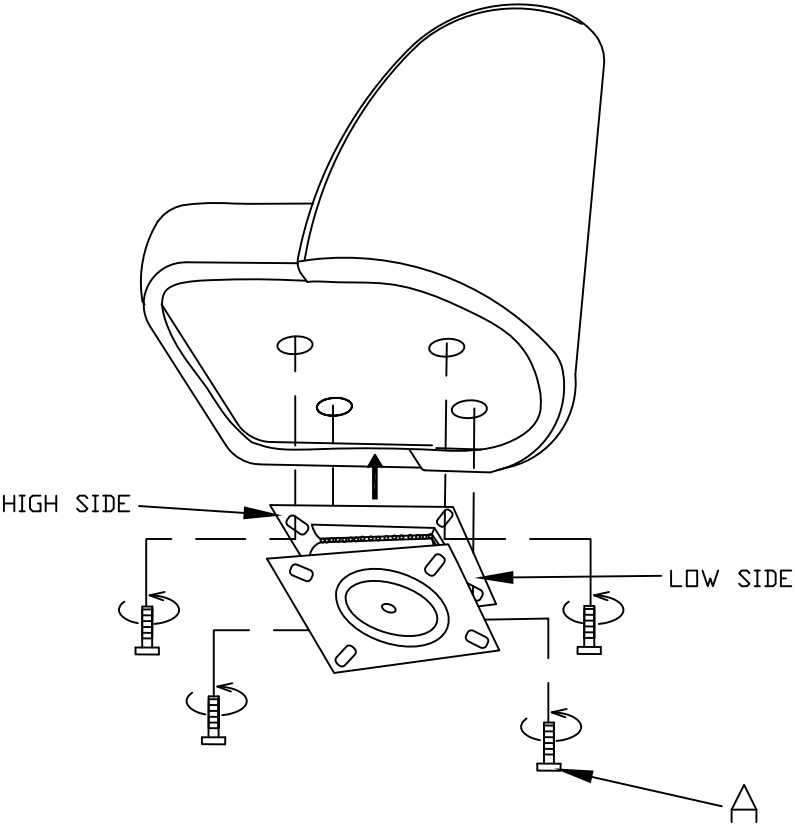
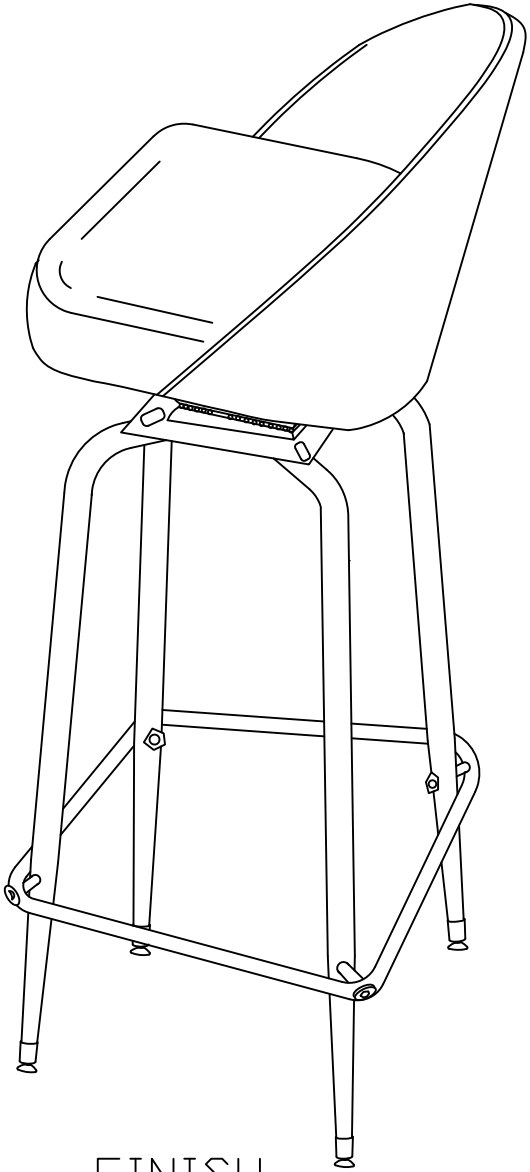


ASSEMBLY INSTRUCTION

HARDWARE LIST			
NO.		DESCRIPTION	QTY
A		BOLT 1/4"*40mm	4PCS



STEP 1.



FINISH