

### Features

- Unique articulated-joint design directs water to any angle and folds out of the way when not in use.
- Integral sprayhead provides laminar flow or ring spray at the touch of a button.
- Ceramic disc valves exceed industry longevity standards, ensuring durable performance for life.
- Single joystick lever handle is simple to use and makes adjusting water temperature easy.
- 1.5 gal/min (5.7 l/min) maximum flow rate [max at 60 psi (4.14 bar)]

### Material

- Premium metal and carbon fiber construction.
- KOHLER finishes resist corrosion and tarnishing.

### Installation

- Two-hole installation.
- Flexible supply lines simplify installation.

### Optional Accessories

1191733 Deep Rough-in Kit



ADA

CSA B651

### Codes/Standards

ASME A112.18.1/CSA B125.1

NSF/ANSI 61

NSF/ANSI 372

All applicable US Federal and State material regulations

DOE - Energy Policy Act 1992

California Energy Commission (CEC)

ADA

ICC/ANSI A117.1

CSA B651

### KOHLER® Faucet Lifetime Limited Warranty

See website for detailed warranty information.

### Available Color/Finishes

*Color tiles intended for reference only.*

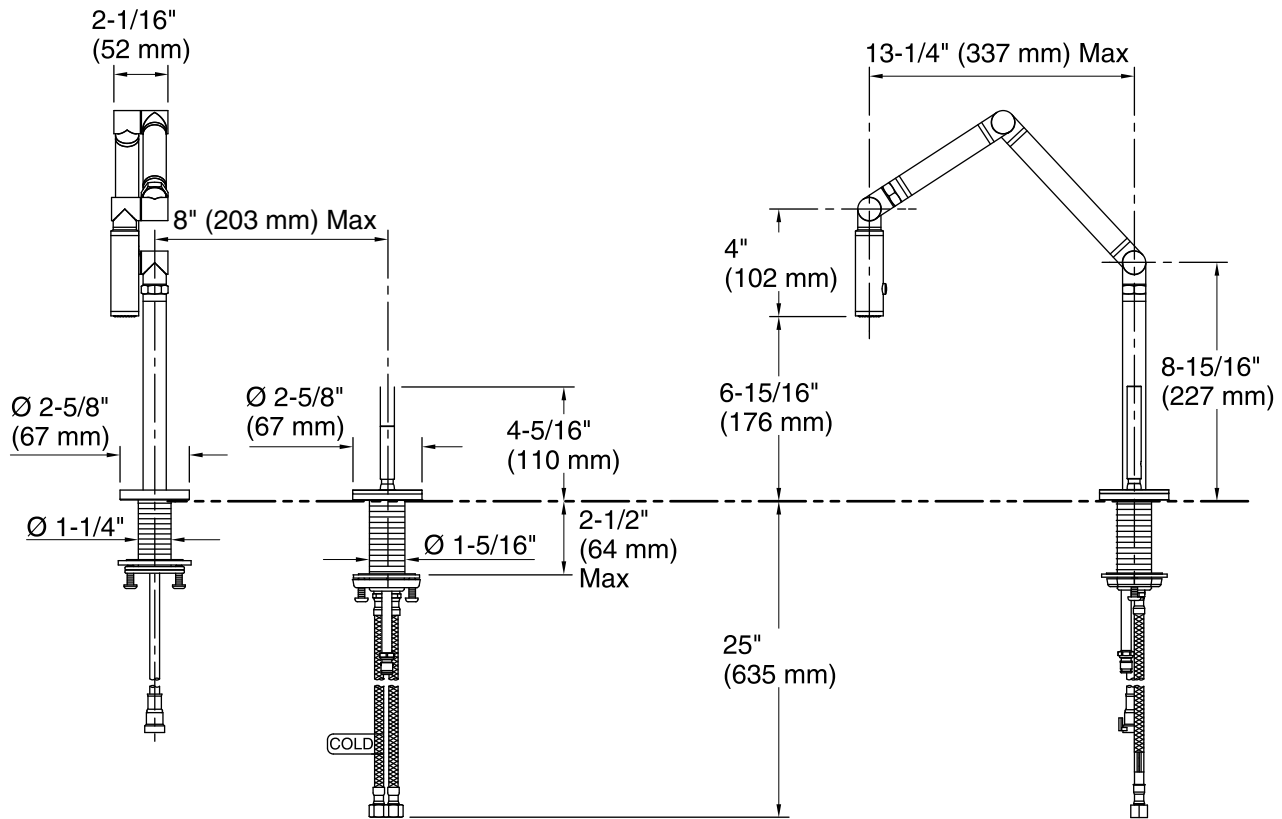
Color	Code	Description
-------	------	-------------



CP Polished Chrome



VS Vibrant® Stainless



### Technical Information

All product dimensions are nominal.

#### Faucet:

Flow rate: 1.5 gal/min (5.7 l/min)

Pressure: 60 psi (4.1 bar)

### Notes

Install this product according to the installation guide.

ADA, CSA B651 compliant when installed to the specific requirements of these regulations.