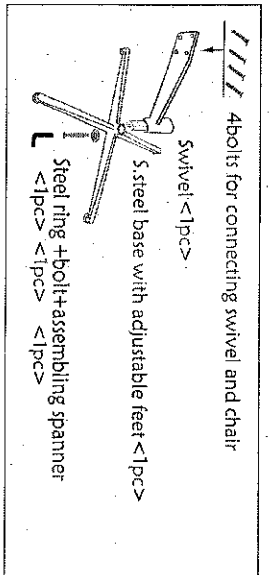


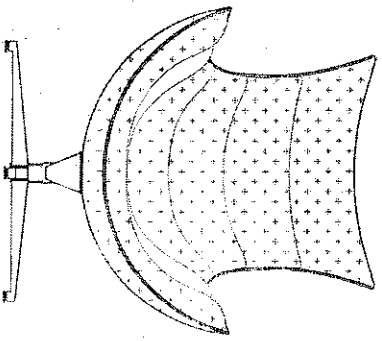
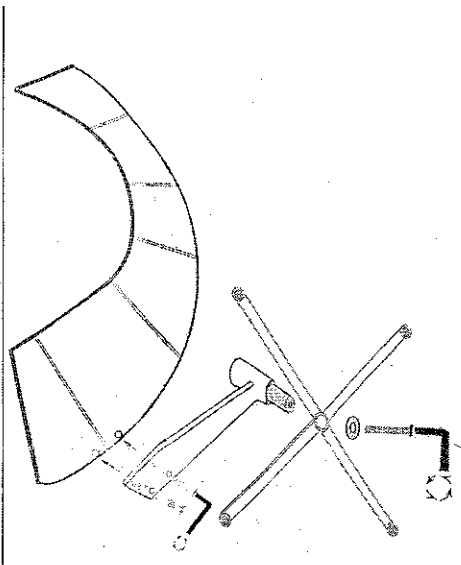
Chair upper part 1pc/carton

+



components 1set/carton

total: 2 packing cartons for one chair



Cocoon chair

Assembly instruction

Step 1. Put down the chair on a table or floor,
Pls make sure the table or floor-Must be very clean and smooth in case of
any damage or dirty happened on the leather/fabric upholstery:

For safety, We strongly suggest you wear a pair of glove to start the assembling work.

Step 2- Pls kindly check if all the components of the chair is ready:

1PC-S. steel base with 4adjustable feet:

1pc-swivel:

1pc longer bolt+4pcs shorter bolts+ 1steel pad+ 1pc assembling spanner.

Step 3-Fix the swivel on the chair with 4pcs bolts by spanner, make sure all the 4pcs bolts is tightened!

Step 4- connect the base and swivel, use the longer bolt+steel pad to hold the swivel into the base;

Make sure the bolt is fully tightened!

Step 5- Turn back the chair, Adjust the 4feet of the s. steel if the floor is not horizontal.