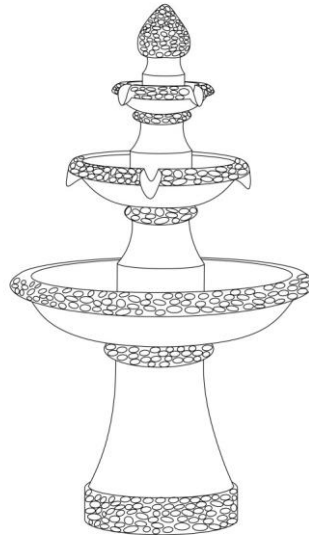


Thank you for choosing Sunnydaze Decor. We stand behind our brand and the quality of the items we sell. Replacement parts or products will be sent at our discretion, within the one-year warranty period. Proof of purchase, with the date of purchase as well as photos of the defective merchandise, must be provided. If you have any questions, comments or concerns please feel free to contact us by phone at: **888-881-4668**. You may also contact us by email: [customerservice@serenityhealth.com](mailto:customerservice@serenityhealth.com), or via our webpage at: [www.serenityhealth.com/contact-us/](http://www.serenityhealth.com/contact-us/)



**3-Tier Pebbled Edge Outdoor Fountain**



PART	DESCRIPTION	QUANTITY		PART	DESCRIPTION	QUANTITY
A	FOUNTAIN TOPPER	1		F	LED ROPE	1
B	MIDDLE PEDESTAL-SMALL	1		G	WATER PUMP	1
C	MIDDLE PEDESTAL-LARGE	1		H	LED ROPE LONG	1
D	FOUNTAIN BASIN	1		I	EVA STOPPLE	1
E	BASE PEDESTAL	1		J	ADAPTOR	1

**ASSEMBLY INSTRUCTIONS:**

**Step 1:** Place the base pedestal (E) and the fountain basin (D) on a level surface, insert the fountain basin(D) into the base pedestal (E) and twist clockwise to lock the fountain basin(D).

**Step 2:** Route the water pump(G)'s power cord out through the plastic tube in the fountain basin(D), lay the water pump(G) in the bottom of the fountain basin(D), and then route the water pump(G)'s power cord through the base pedestal(E), the cord exits through the bottom slot of the base pedestal(E). Lastly insert the EVA stopple(I) in the top of the plastic tube.

**Step 3:** Insert, twist and lock the fountain topper(A) to the small middle pedestal(B).

**Step 4:** Route the short LED rope(F) out through the hole on the back side of the small middle pedestal, and then route the short LED rope(F)'s power cord through the plastic tube in the big middle pedestal(C). Press both ends of the short LED rope in the slots that already fixed in the big middle pedestal to fix the short LED rope(F)

**Step 5:** Insert, twist and lock the assembled fountain topper(A) and small middle pedestal(B) to the big middle pedestal(C), make sure the water pipe and the short LED rope(F)'s power cord is visible on the bottom of the big middle pedestal(C).

**Step 6:** Connect the water tube to the outlet nozzle of the water pump(E).

**Step 7:** Route the long LED rope(H) through the hole on the back side of the big middle pedestal(C), connect both LED ropes to the water pump(G).

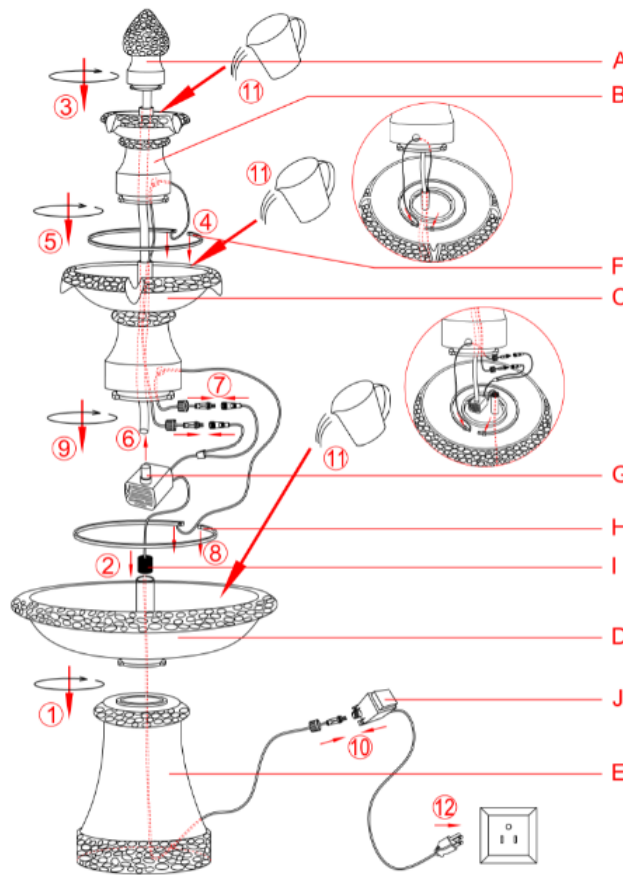
**Step 8:** Press both ends of the long LED rope (H) in the slots that already fixed in the fountain basin (D), the long LED rope (H) will be fixed around the big middle pedestal (C).

**Step 9:** Insert, twist and lock the completed fountain upper part to the fountain basin(D).

**Step 10:** Connect the adaptor (J) to the water pump (G)'s power cord.

**Step 11:** Fill the fountain basin (D) and the smaller basins on both middle pedestal with water. Make sure the water pump is submerged in the water completely.

**Step 12:** Plug the pump in and enjoy the water fountain.



## WARNING



Be careful not to spill water onto the plug of the pump. Create a drip loop with the power cord before plugging. DO NOT allow the pump to run dry.