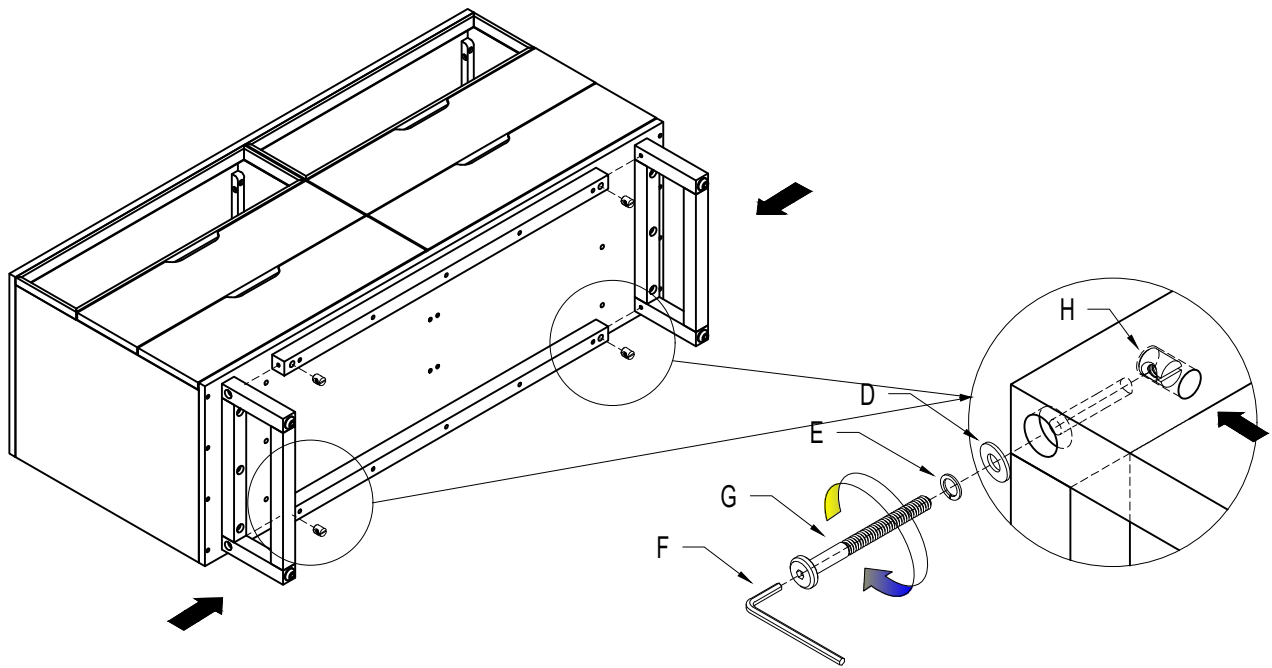


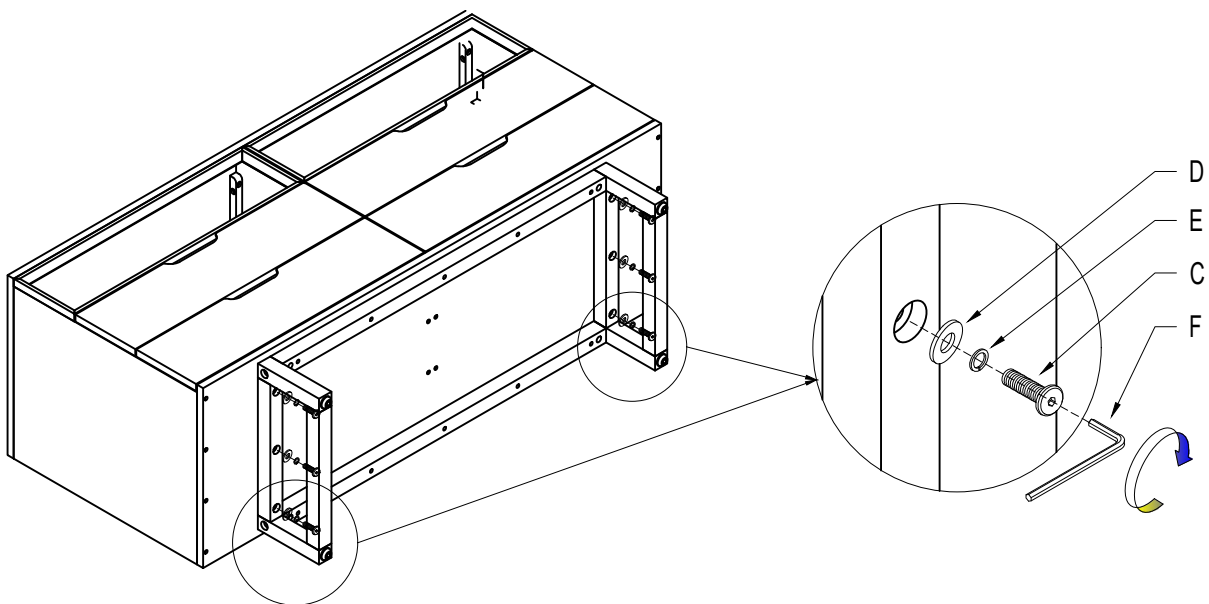
ALDO - DRESSER 4.DRWS + 2.OPEN NICHES

<p>A: Chest x 1</p> <p>B: Leg x 2</p>	<p>C: Bolt / M8*45 x 6</p>	<p>I: Insert nut x 4</p>
	<p>D: Flat Washer / Ø19 x 10</p>	<p>K: Screw M4*20 x 4</p>
	<p>E: Lock Washer / 12 x 10</p>	<p>L: Screw M4*40 x 4</p>
	<p>F: Allenkey V4 x 1</p>	<p>M: Anti - flip A x 4</p>
	<p>G: Bolt / M6*60 x 4</p>	<p>N: Anti - flip B x 2</p>
	<p>H: Cross dowel x 4</p>	





STEP 1

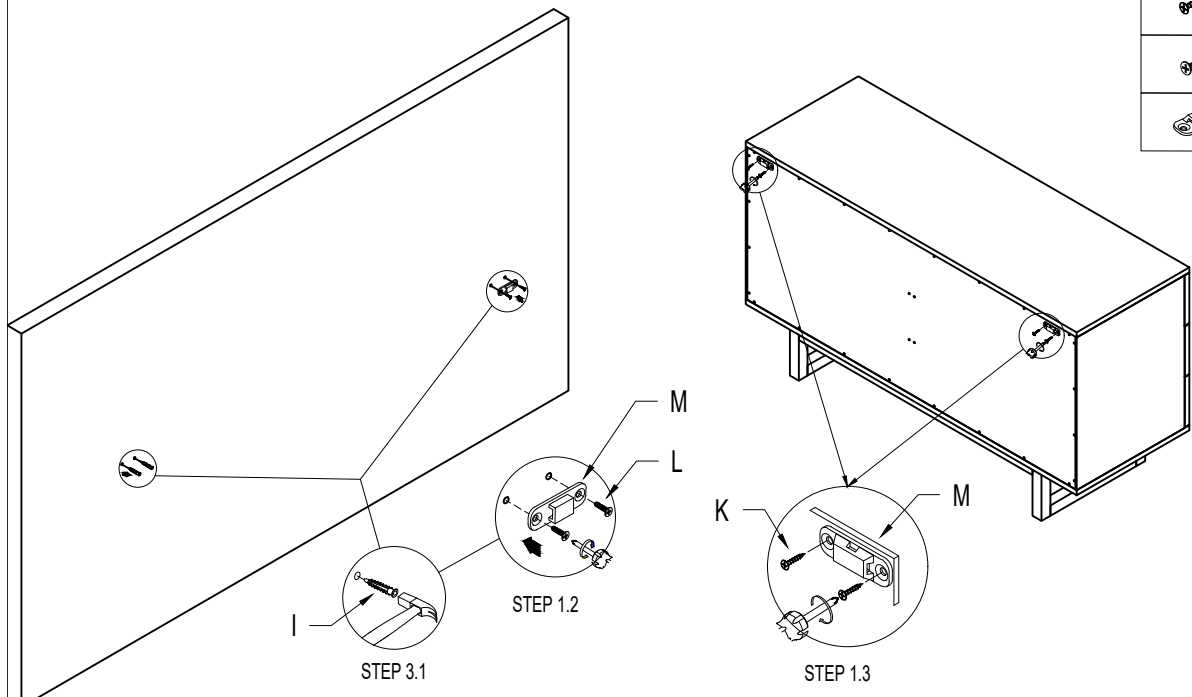


STEP 2



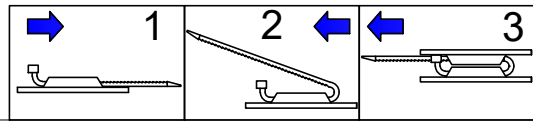
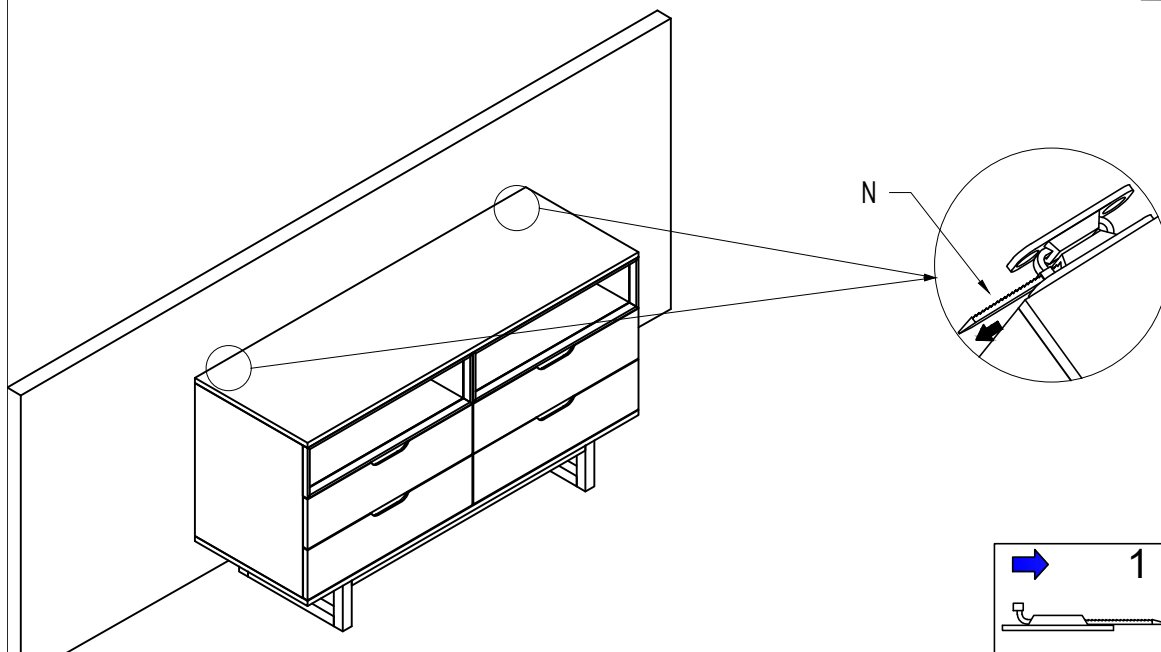
STEP 3

	I: Insert nut	x 4
	K: Screw M4*20	x 4
	L: Screw M4*40	x 4
	M: Anti - flip A	x 4



STEP 4

	N: Anti - flip B	x 2
---	------------------	-----



FINISHED

