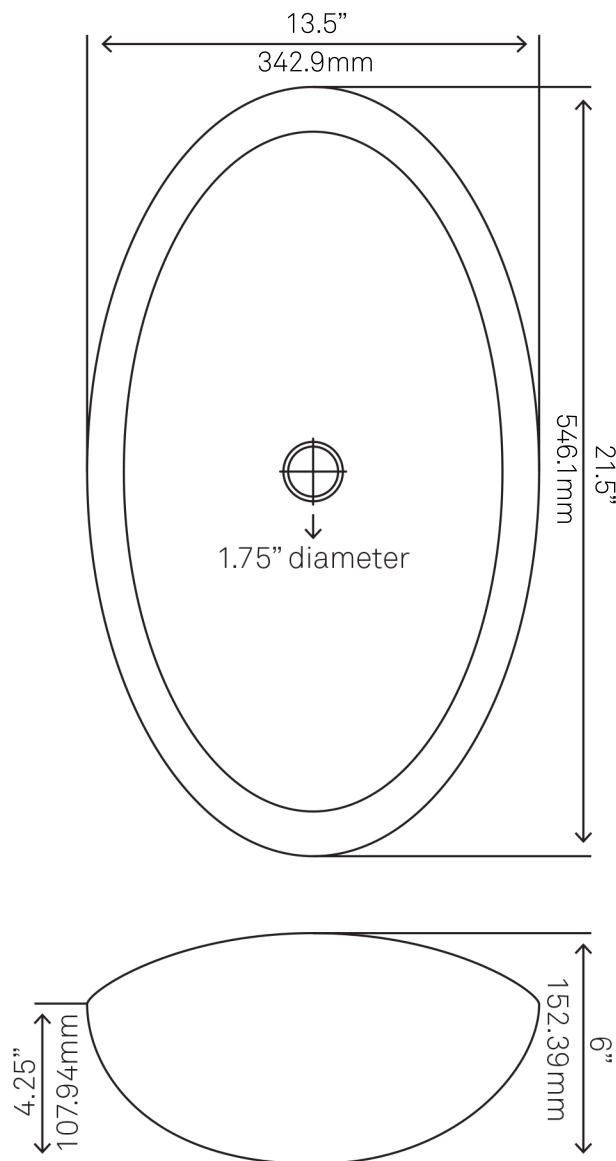




## NOHP-G025-8031 VOLLE Painted Glass Vessel Sink

Requested By: \_\_\_\_\_

Specific Features: \_\_\_\_\_



### STANDARD SPECIFICATIONS:

- Oval slipper hand painted vessel sink
- Dark rich brown camouflage
- High tempered glass
- Stain and scratch resistant inside
- Textured painted outside
- Above counter installation
- Standard U.S. plumbing connection
- 1.75-inch drain opening
- Novatto faucet and drain sold separately

### WARRANTY:

Limited lifetime warranty

- See [www.NovattoInc.com](http://www.NovattoInc.com) for details

### COORDINATING ACCESSORIES:

- PUD-BN/CH/ORB pop-up drain
- MR-001BN/CH/ORB
- Glacier Ice Restoration and Sealer kit

### NOTES

Novatto reserves the right (1) to make changes in specifications and materials, and (2) to change or discontinue models, both without notice or obligation. Dimensions are for reference only, see [www.NovattoInc.com](http://www.NovattoInc.com) for finish options and product availability.

Novatto Inc  
TOLL FREE 844.404.4242  
[www.NovattoInc.com](http://www.NovattoInc.com)