



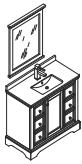
# WINDSOR

## INSTALLATION GUIDE

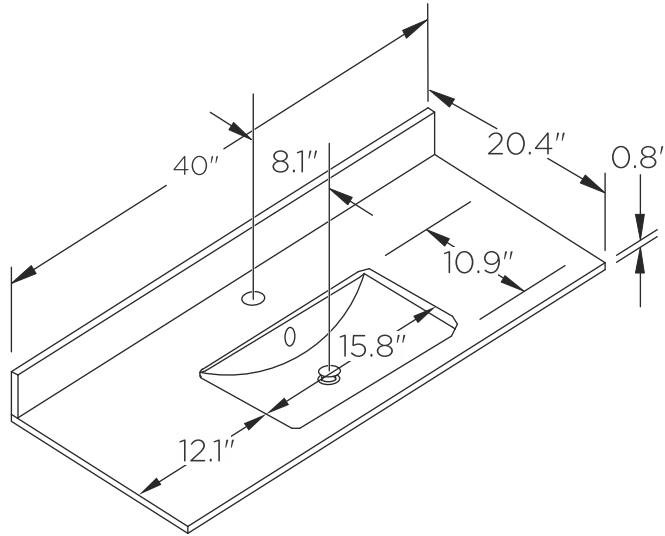
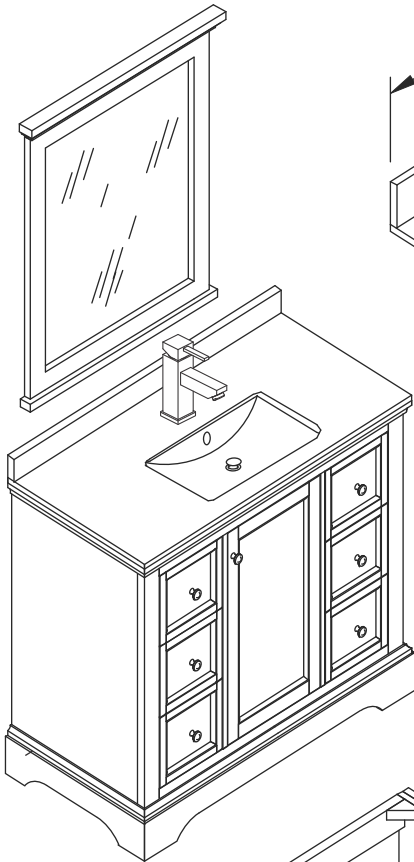
### FVN2440

## CONTENTS:

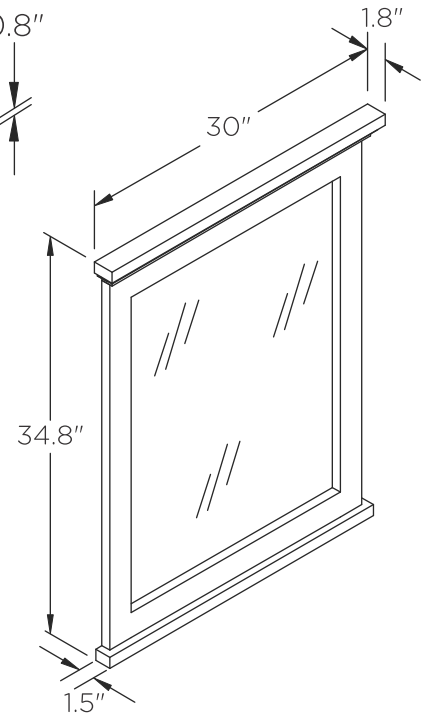
|               |                    |        |
|---------------|--------------------|--------|
| Mirror .....  | FMR2430.....       | PAGE 2 |
| Cabinet ..... | FCB2440.....       | PAGE 3 |
| Sink .....    | FCT2040WH-CMB..... | PAGE 3 |



# FVN2440 WINDSOR INSTALLATION GUIDE



FCT2040WH-CMB  
Counter Top front

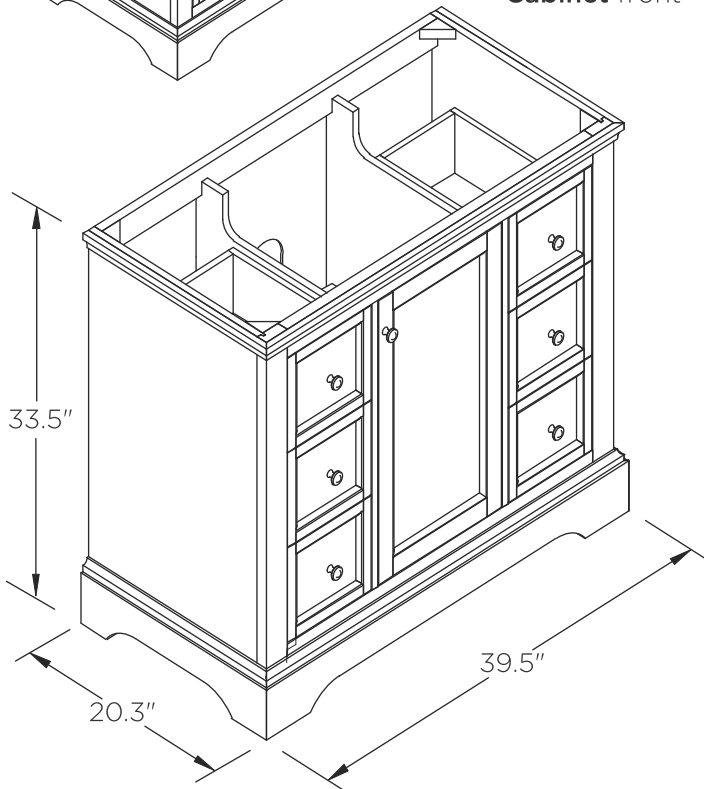
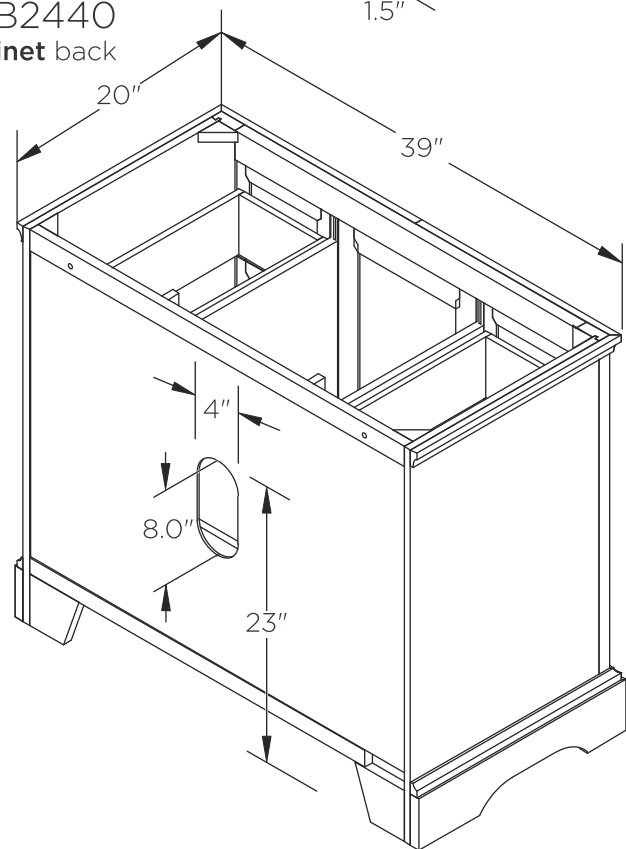


FMR2430  
Mirror front

FVN2440  
Vanity front

FCB2440  
Cabinet back

FCB2440  
Cabinet front



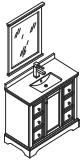
**NOTE:** All dimensions & specifications are approximate and subject to change without notice.



**FVN2440**

**WINDSOR**

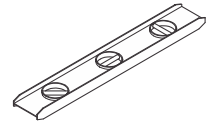
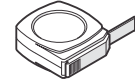
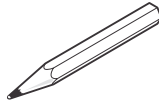
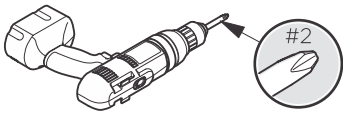
**INSTALLATION GUIDE**



# FVN2440 WINDSOR INSTALLATION GUIDE



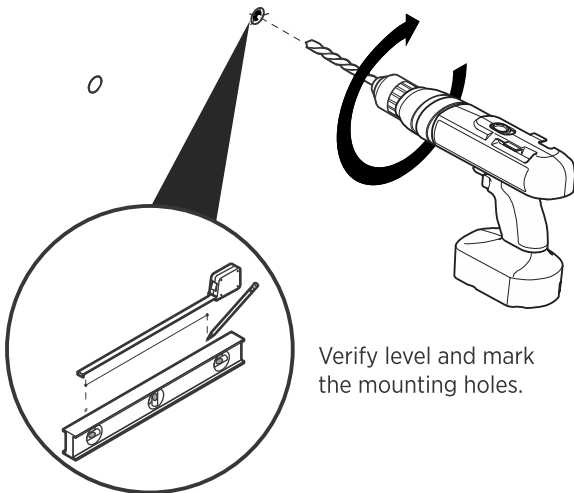
## TOOLS FOR ASSEMBLY



1/4" & 3/8" Drill Bit

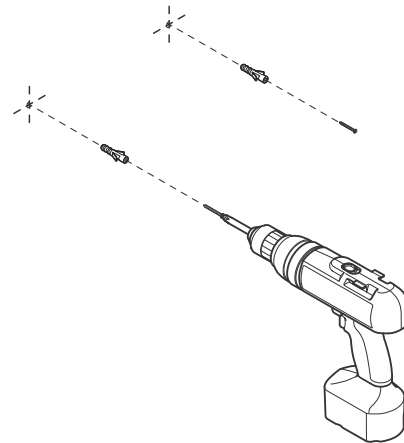
## MIRROR INSTALLATION

- 1** Measure distance between the holes and mark it on the wall using a level.



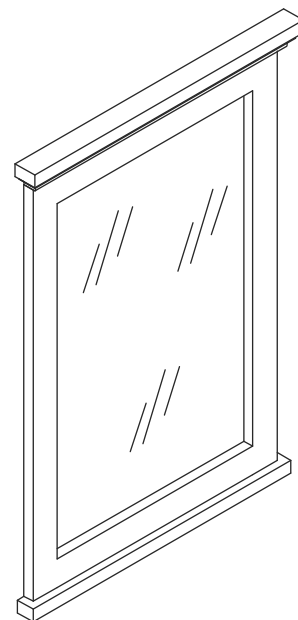
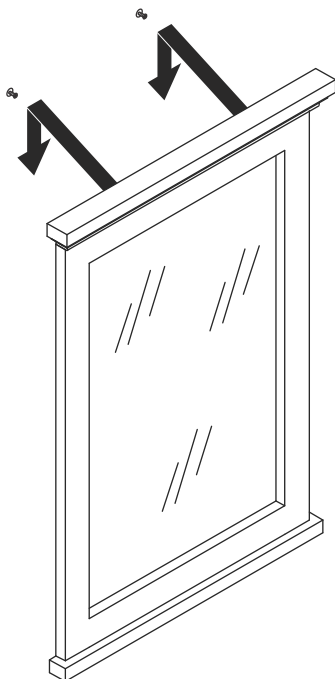
Verify level and mark the mounting holes.

- 2** Press the anchors into the holes.



**IMPORTANT:** Consult an expert for the proper screws/bolts to use when attaching to various constructions. Screws provided do not attach to all wall construction types. Anchors are not required if brackets are installed in stud.

- 3** Hang mirror on the screws.

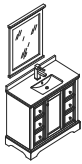


**FVN2440**

**WINDSOR**

**INSTALLATION GUIDE**

PAGE 2

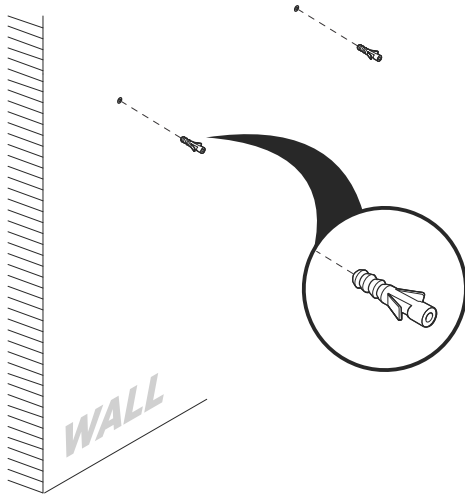


# FVN2440 WINDSOR INSTALLATION GUIDE



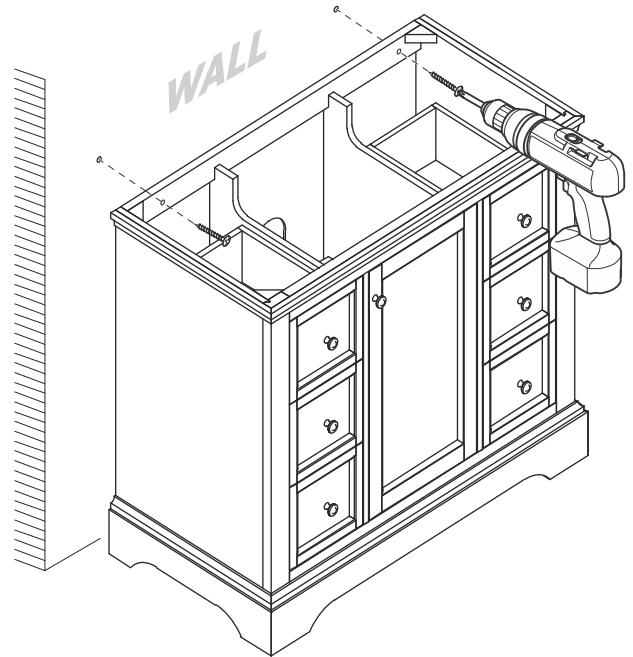
## CABINET INSTALLATION

- 1** Drill holes in the wall and insert the anchors.

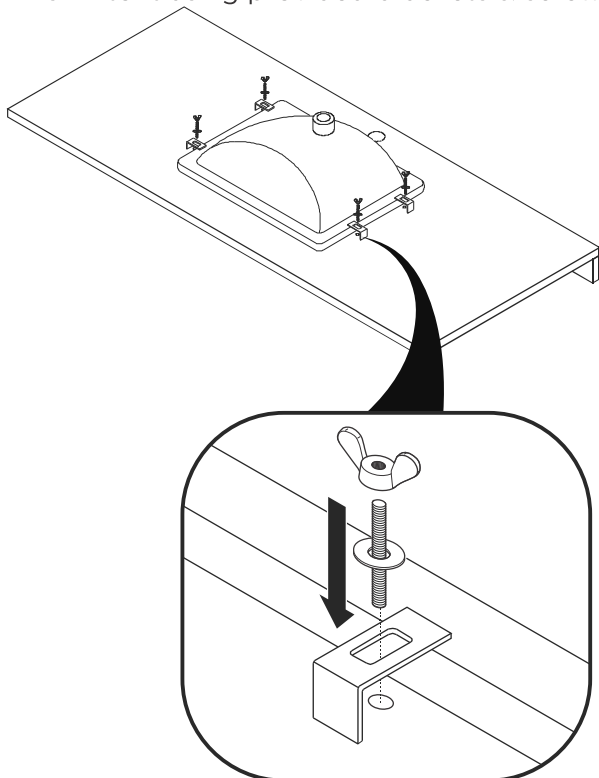


**IMPORTANT:** Consult an expert for the proper screws/bolts to use when attaching to various constructions. Screws provided do not attach to all wall construction types. Anchors are not required if brackets are installed in stud.

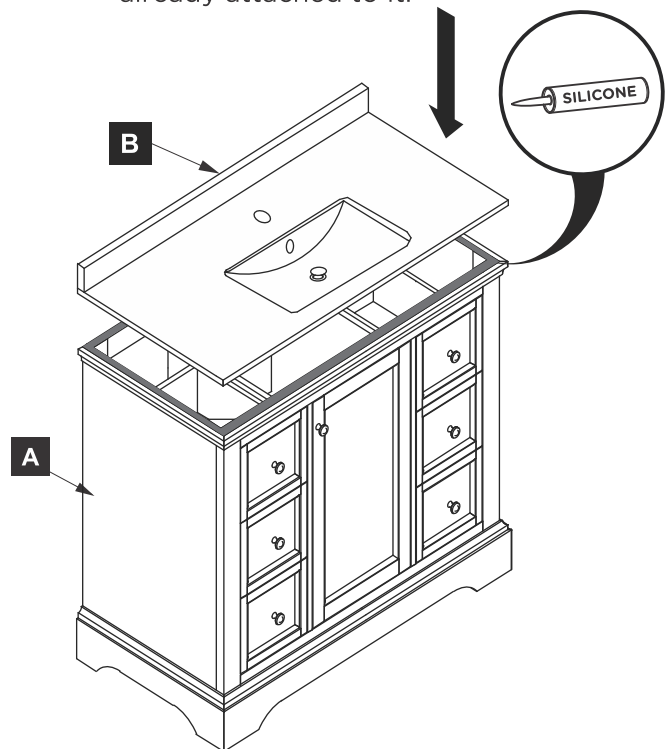
- 2** Mark anchor mounting hole locations on the wall as shown.



- 3** Flip counter top upside down and attach sink to it using provided brackets & screws.



- 4** Apply silicone to the top of the cabinet (A) and place counter top with sink (B) already attached to it.

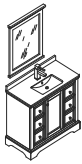


**FVN2440**

**WINDSOR**

**INSTALLATION GUIDE**

PAGE 3



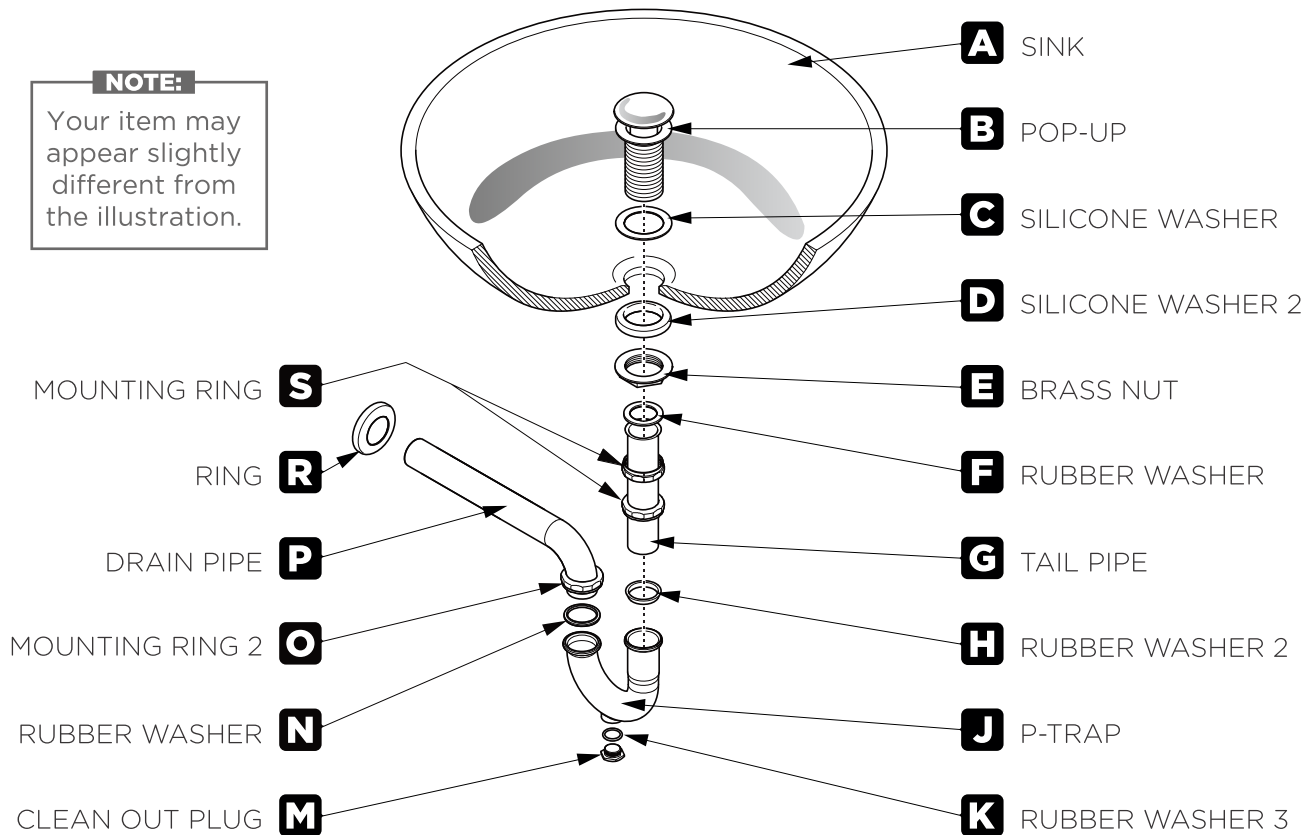
# FVN2440 WINDSOR

## INSTALLATION GUIDE



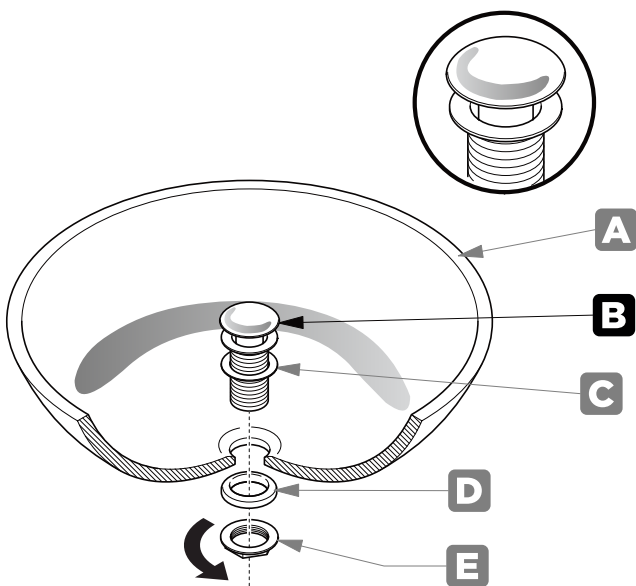
### P-TRAP & POP-UP INSTALLATION INSTRUCTIONS

**NOTE:**  
Your item may appear slightly different from the illustration.



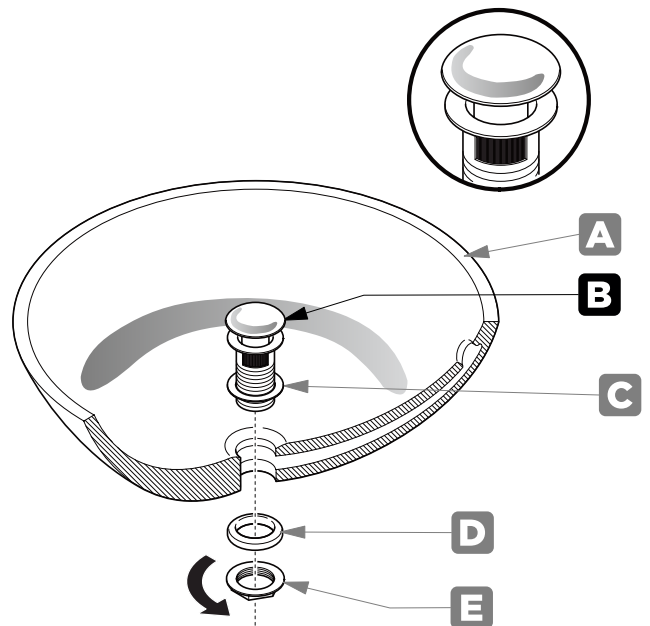
### POP-UP INSTALLATION INSTRUCTIONS

**FOR SINKS WITHOUT OVERFLOW**



OR

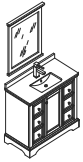
**FOR SINKS WITH OVERFLOW**



**FVN2440**

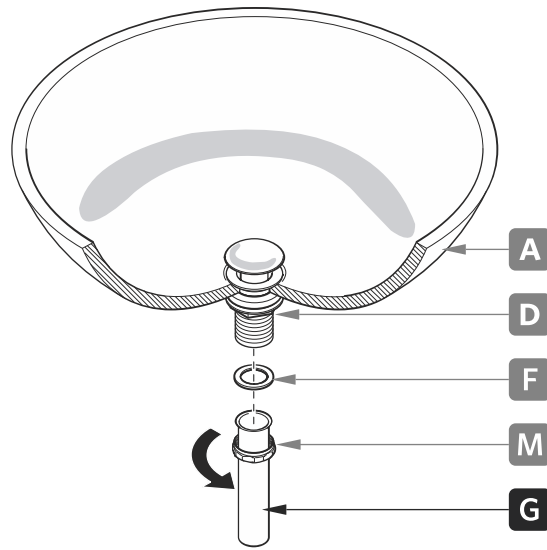
**WINDSOR**

**INSTALLATION GUIDE**



## P-TRAP INSTALLATION

**1** Install tail pipe (



**2** Install p-trap (J)

