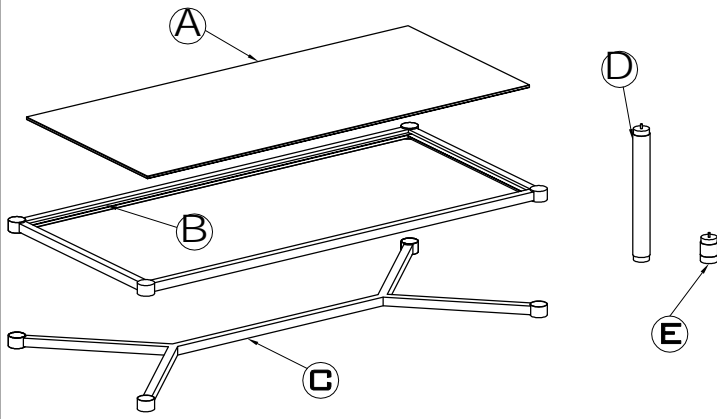


ASSEMBLY INSTRUCTIONS NOUVEAU DINING TABLE



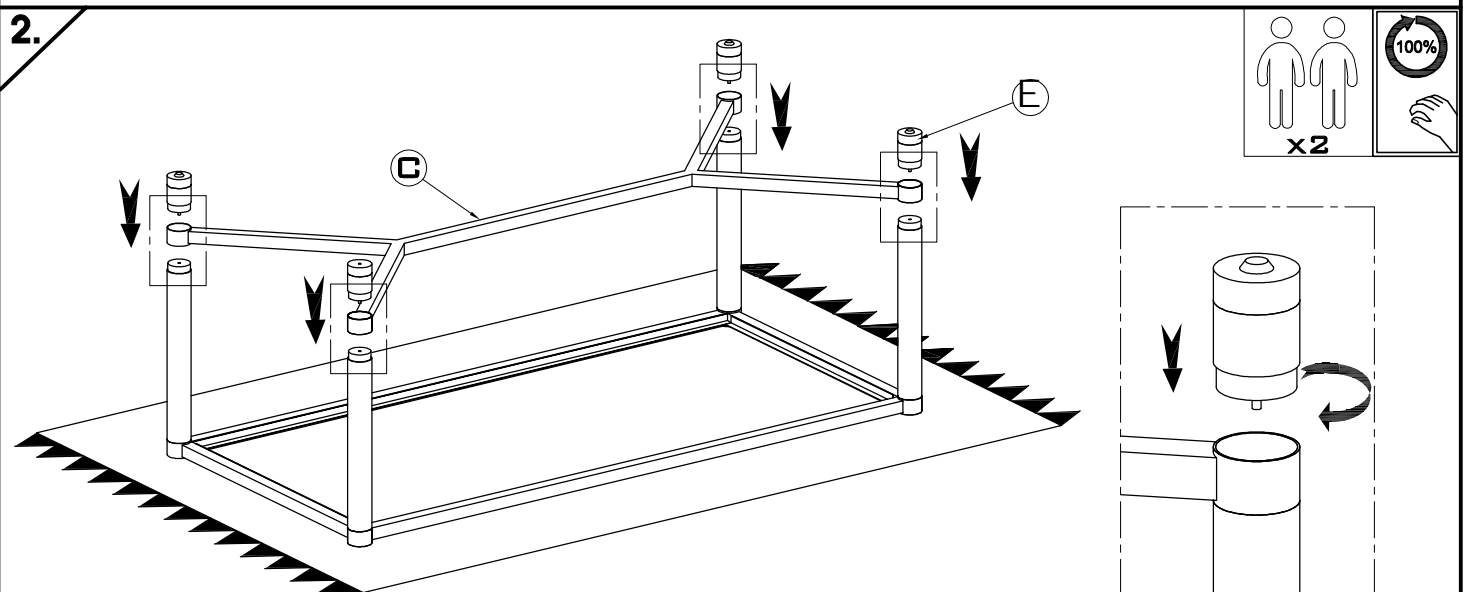
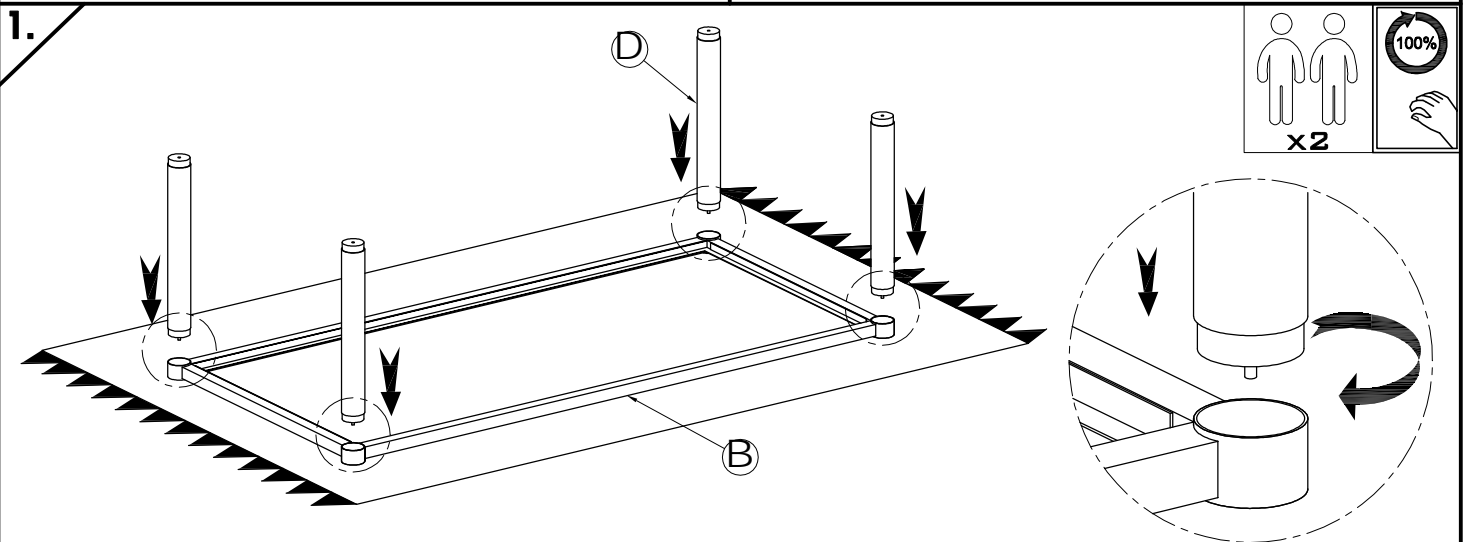
PARTS CHECK LIST

CODE	COMPONENTS	QTY
A	GLASS	X01
B	TOP FRAME METAL	X01
C	BOTTOM FRAME METAL	X01
D	LONG LEG	X04
E	SHORT LEG	X04

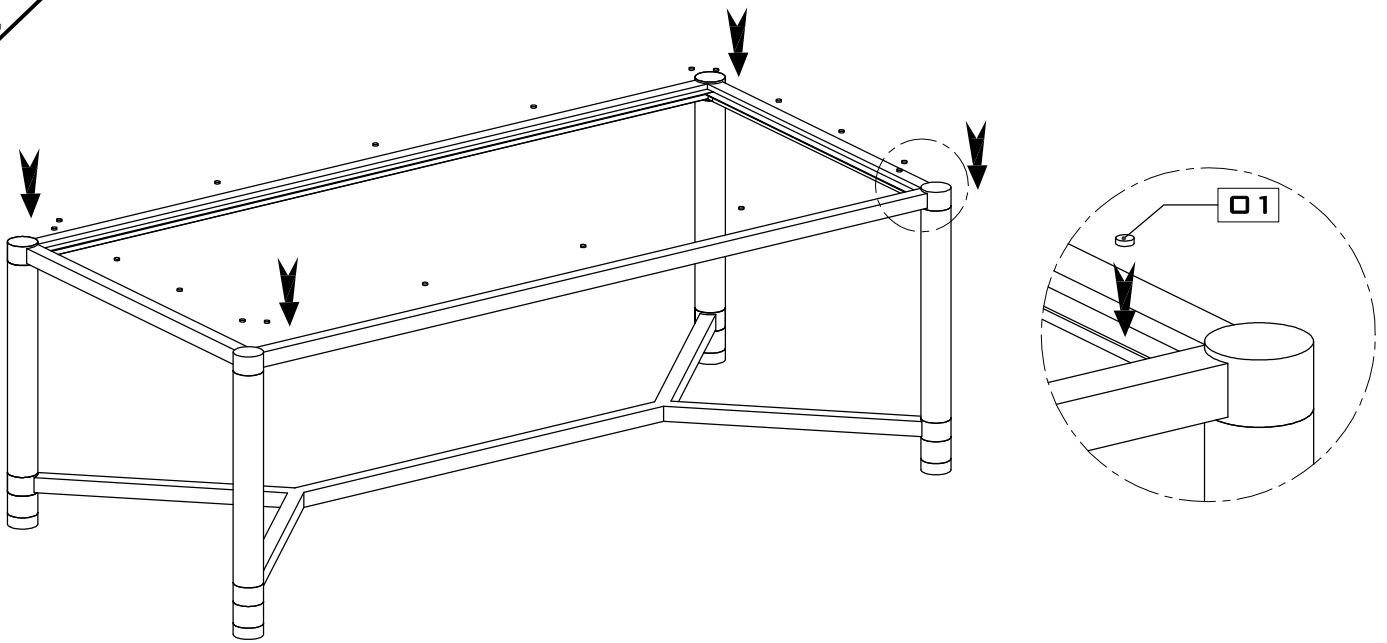
HARDWARE CHECK LIST

CODE	DESCRIPTION	QTY
01	GLASS BUMPER PAD	X18

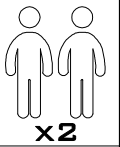
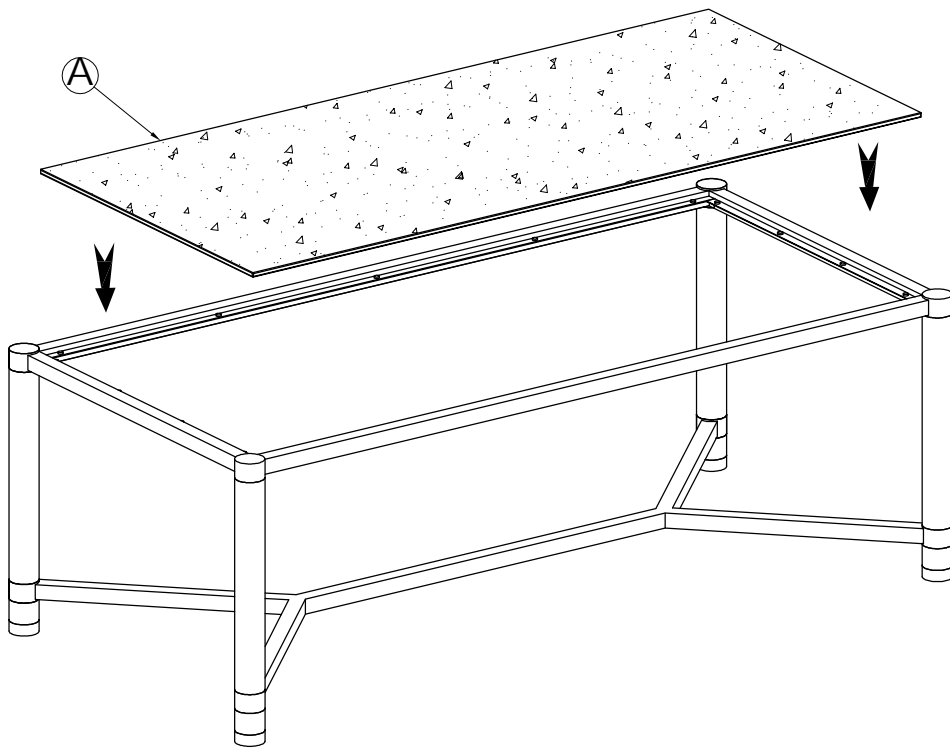
- PLEASE DO NOT DISCARD ANY OF THE PACKAGING UNTIL YOU HAVE CHECKED ALL THE PARTS AND THE PACKS OF HARDWARE.
- BEFORE YOU BEGIN TO ASSEMBLE YOUR NEW PIECE OF FURNITURE, PLEASE CHECK TO ENSURE THAT ALL PARTS HAVE BEEN SUPPLIED.
- FOLLOW INSTRUCTIONS CLOSELY AS DEVIATION FROM THEM MAY VOID YOUR WARRANTY AND PRESENT A POSSIBLE SAFETY RISK.
- IT IS RECOMMENDED THAT ASSEMBLY IS DONE ON A SOFT SURFACE LIKE CARPET TO AVOID ANY DAMAGE.
- PERIODICALLY CHECK AND RE-TIGHTEN ANY FASTENERS. WIPE DOWN ALL SURFACES WEEKLY WITH A CLEAN CLOTH. DO NOT CLEAN ANY SURFACES WITH HARSH ABRASIVES OR CHEMICALS.



3.



4.



5.

