



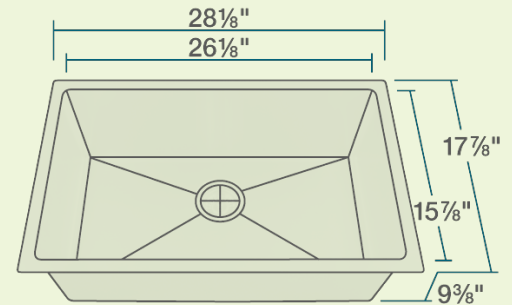
2920S-16 Single Bowl 3/4" Radius Sink

Stainless Steel

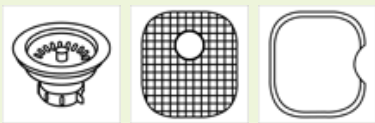
Stainless Steel is the most popular choice for today's kitchens due to its clean look and durability. The beautiful brushed satin finish helps to hide small scratches that may occur over the lifetime of the sink. Our Stainless Steel sinks are made from high quality 14, 16, 18, 20 or 24 gauge steel. Most models are made of one piece construction that ensures the sturdiest kitchen sink you will find. Our sinks are made from 300-series stainless steel and are guaranteed not to rust or stain. Each sink is fully insulated and has a sound dampening pad. Our stainless steel sinks are backed by a limited lifetime warranty.



- 28 1/8" x 17 7/8" x 9 3/8"
- Undermount Installation
- 30" Minimum Cabinet Size
- 14-, 16- or 18-Gauge Steel Available
- Certified High-Quality 304 Stainless Steel
- Brushed Satin Finish
- Offset Drain
- Thick Sound Dampener Rubber Pad
- Fully Insulated
- Cardboard Cutout Template Included
- Installation Hardware Included
- Lifetime Warranty



Accessories



*Accessories not included

16g UPC: 841412137270
18g UPC: 841412137294

Features

Undermount Installation 	30" Minimum Cabinet Size 	18, 16 or 14 Gauge Available 14G 16G 18G	Cold Rolled Stainless Steel 	Brushed Satin Finish 	Offset Drain 3 1/2"
Sound Dampening 	Fully Insulated 	Cutout Template 	Hardware Included 	Limited Lifetime Warranty 	