

Plastic Kidney Lazy Susans

Installation Instructions for the PLSK2xx Series

hardware
resources[®]



IMPORTANT:

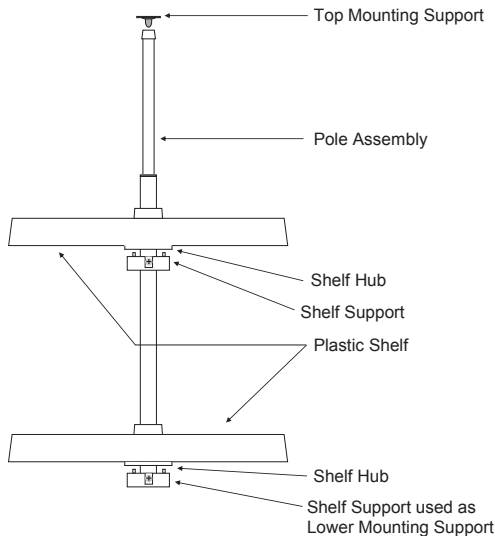
Before you begin, make sure you familiarize yourself with all the parts and fully read the instructions.

CUSTOMER SERVICE:

Toll free customer help line available weekdays between 7:00am and 6:00pm Central Time at 800-463-0660.

TOOLS NECESSARY:

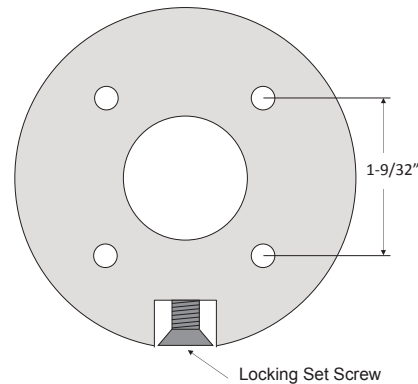
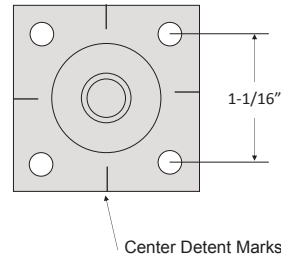
Screw gun or Phillips screwdriver, and tape measure. NOTE: If screw gun has a clutch, set to lowest setting so as not to over tighten and/or strip screws.



Top Mounting Support	1X
Pole Assembly	1X
Plastic Shelf	2X
Shelf Hub	2X
Shelf Support	2X
#8 x 5/8 Pan Head Phillips Wood Screw	4X
#8 x 3/4 Flat Head Phillips Wood Screw	4X

STEP 1

Measure and Mount Supports



Mark layout for lower mounting support by placing a shelf into the cabinet upside down. Center the shelf on the bottom of the cabinet making sure you have proper clearance from cabinet walls and door. Mark the mounting location by tracing inside the hole in the middle of the shelf. Measure the center of bottom mounting location and transfer to the top of the cabinet. Align Top Mounting Support with center detent marks and install with four (4) - #8 x 5/8 Pan Head Phillips Wood Screw. Place one (1) Shelf Support on lower marks and secure with four (4) - #8 x 3/4 Flat Head Phillips Wood Screw to the bottom of the cabinet as shown (align set screw for proper shelf orientation).

STEP 2 - Install Hubs



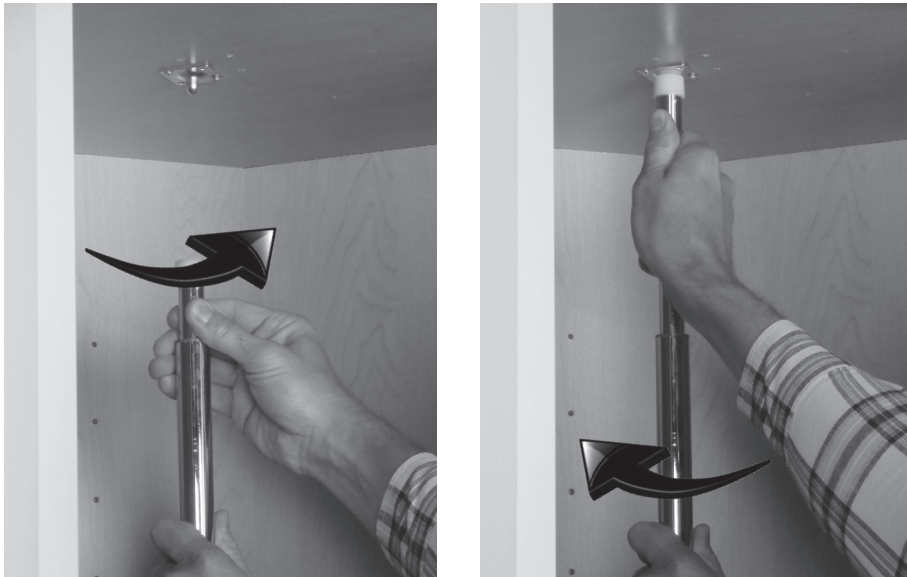
Press one (1) Shelf Hub into the bottom of the Plastic Shelf as shown creating the Shelf Assembly. Repeat with other shelf.

STEP 3 - Shelf Assembly



From the top slide one (1) Shelf Assembly, the other Shelf Support and then the other Shelf Assembly onto the Pole Assembly as shown. Slide bottom of Pole Assembly into the lower mounting support.

STEP 4 - Pole Extension



Holding onto the lower pole twist the upper pole counter clockwise to release. Extend pole upwards until it rests firmly against the Top Mounting Support and tighten by turning the pole clockwise.

STEP 5 - Shelf Adjustment



Raise upper Shelf Assembly to desired height and tighten the Locking Set Screw. Raise lower Shelf Assembly and tighten that Locking Set Screw.