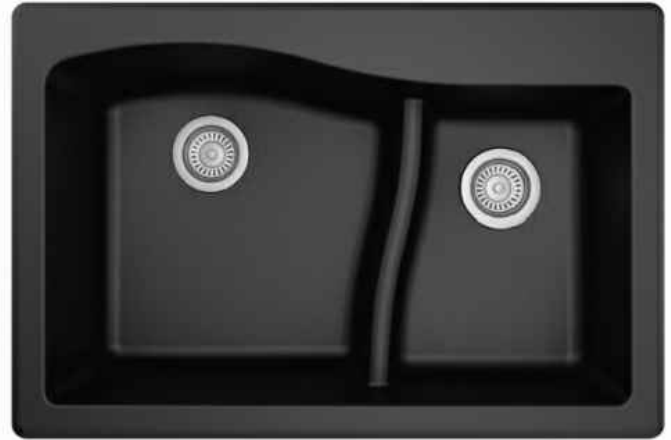


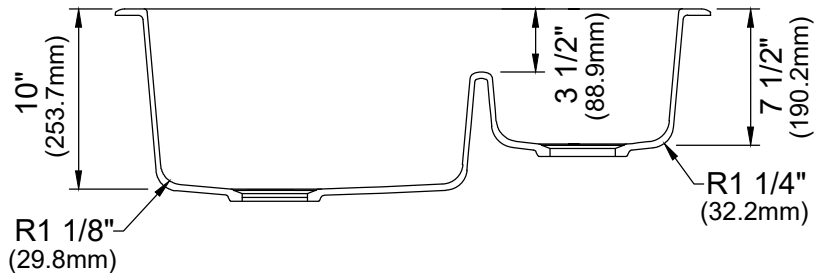
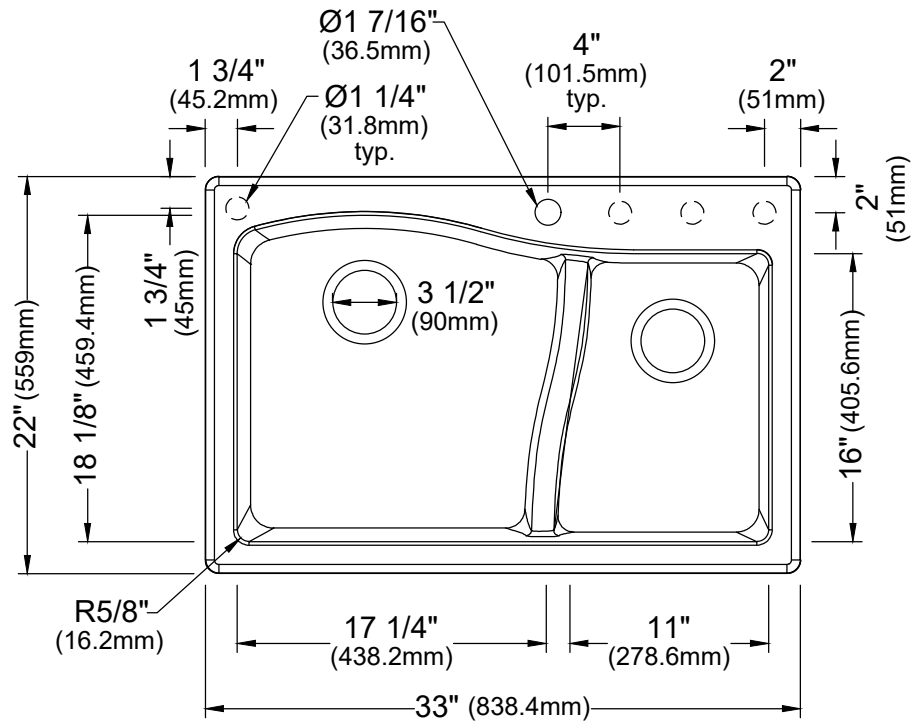
Series	Quartz QT Series
Material	80% quartz / 20% acrylic resin
Installation Type	Top mount / Drop-in
Configuration	Large / small bowl
Finish	Matte finish
Overall Dimensions	33" x 22"
Left Bowl Dimensions	17 1/4" x 18 1/8" x 10"
Right Bowl Dimensions	11" x 16" x 7 1/2"
Drain Size	3 1/2"
Colors Available	Bisque, Concrete, White, Black, Grey, Brown
Minimum cabinet size	33"
Template Included	Yes
Clips Included	Yes
Heat Safe	Up to 535°F
Resistant to	Stain, scratch, abrasion, impact
Drain Locations	Rear

Shown in Black



MODEL	FINISH
QT-630-GR	Grey
QT-630-BL	Black
QT-630-WH	White
QT-630-BR	Brown
QT-630-BI	Bisque
QT-630-CN	Concrete

Stocked Color Options



Listing and certifications:
cUPC

Limited lifetime warranty

- = pre-drilled faucet / drain hole
- ◌ = semi-drilled knock-out location(s)

We reserve the right to update product specifications without notice. Please visit karran.com for the most current specification sheets. All dimensions are accurate to 1/4". REV 08-2024